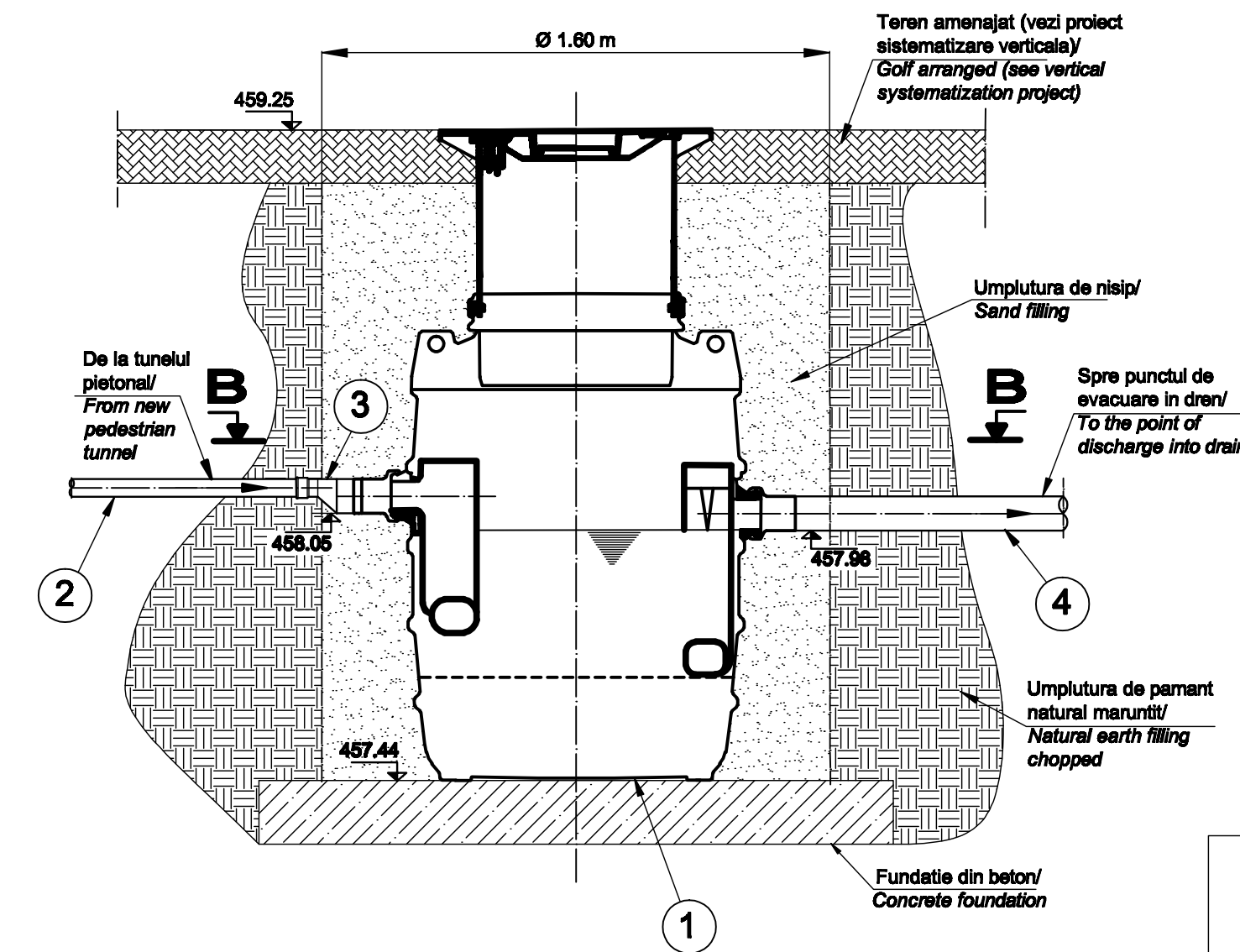


**SEPARATOR DE NAMOL SI HIDROCARBURI/
MUD AND HYDROCARBONS SEPARATOR**

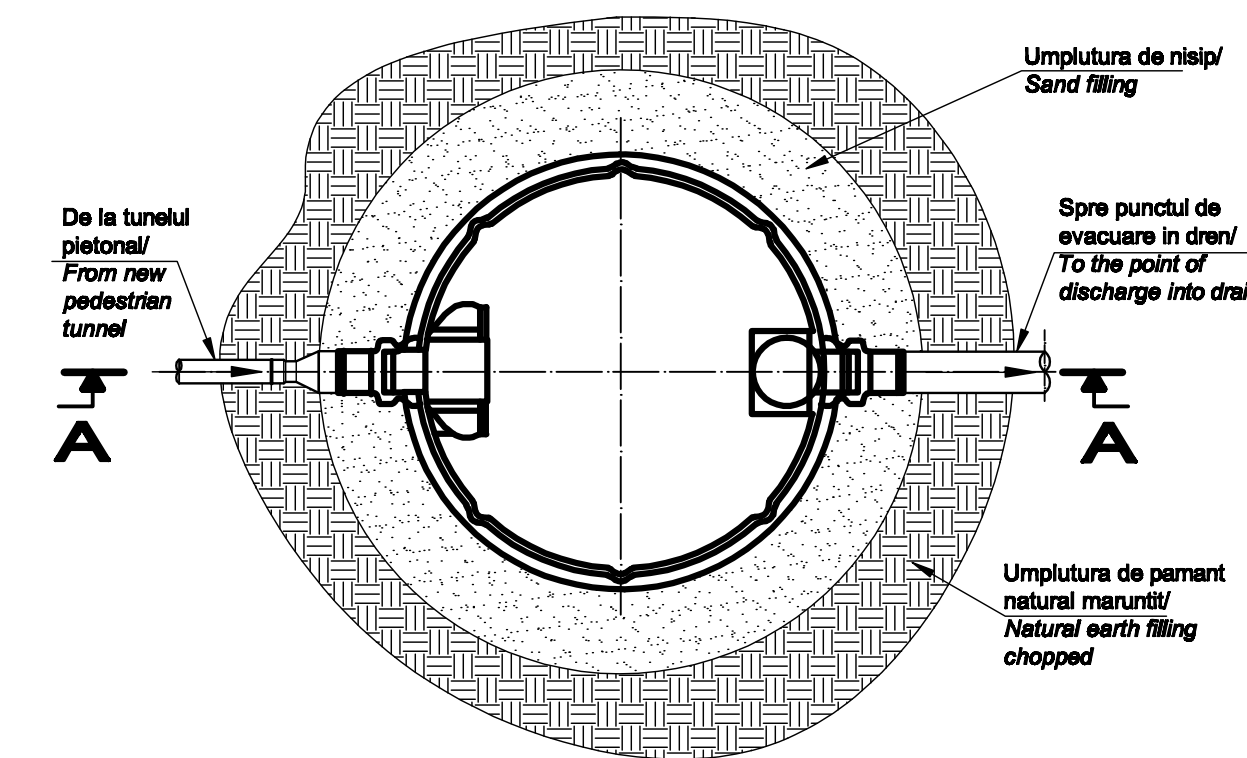
SECTIUNEA A - A / SECTION A - A

Scara/Scale 1 : 20



SECTIUNEA B - B / SECTION B - B

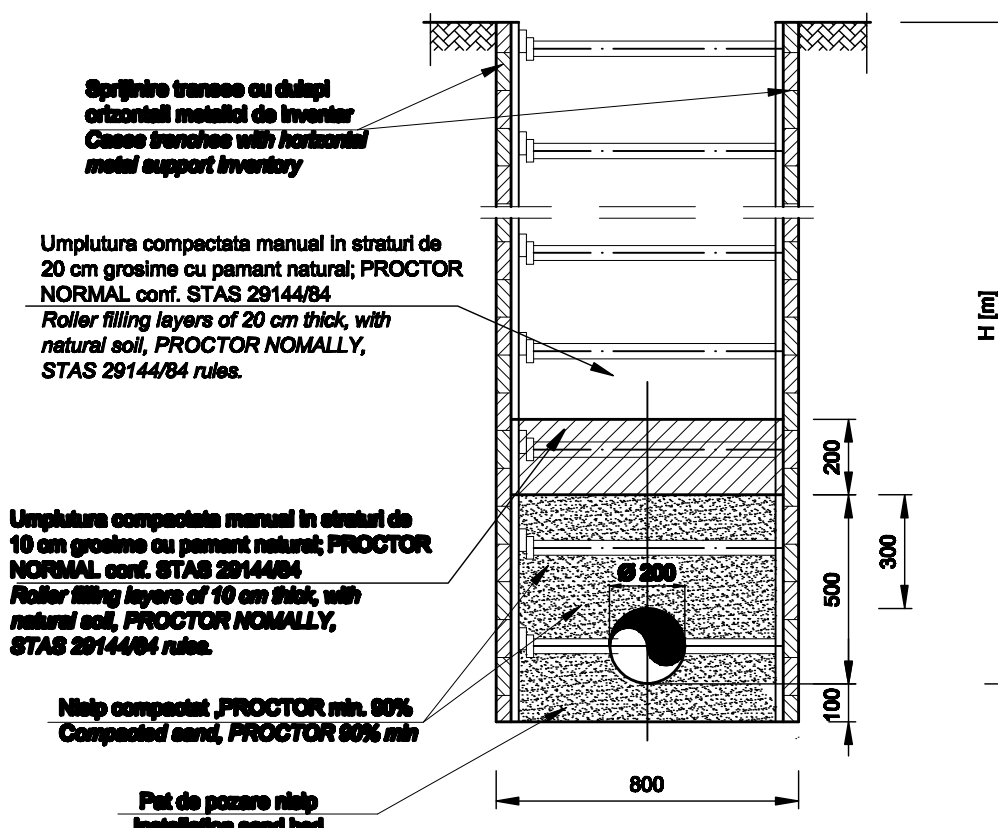
Scara/Scale 1 : 20



1. SEPARATOR DE NAMOL SI HIDROCARBURI
Q = 3,6 m³/h MUD AND HYDROCARBONS
SEPARATOR Q = 3,6 cm³/h
2. Tub PEHD, tip PE80, SDR 17.6, pn 6, Ø 50 x 2,9 mm/
HDPE tube, PE80 type, SDR 17.6, pn 6, Ø 50 x 2,9 mm
3. Reducție PVC, tip SN4, Ø 110/50 mm/
PVC reduction, SN4 type, Ø 110/50 mm
4. Tub PVC, tip SN4, Ø 110 /
PCV tube, SN4 type, Ø 110

**DETALIU POZARE, IN TRANSEE, TUB
PEID GOFRAT, Ø = 200 mm
HDPE CORRUGATED TUBE LAYING
Ø_{ext} = 200 mm IN THE TRENCHES DETAIL**

Scara/Scale: 1 / 20

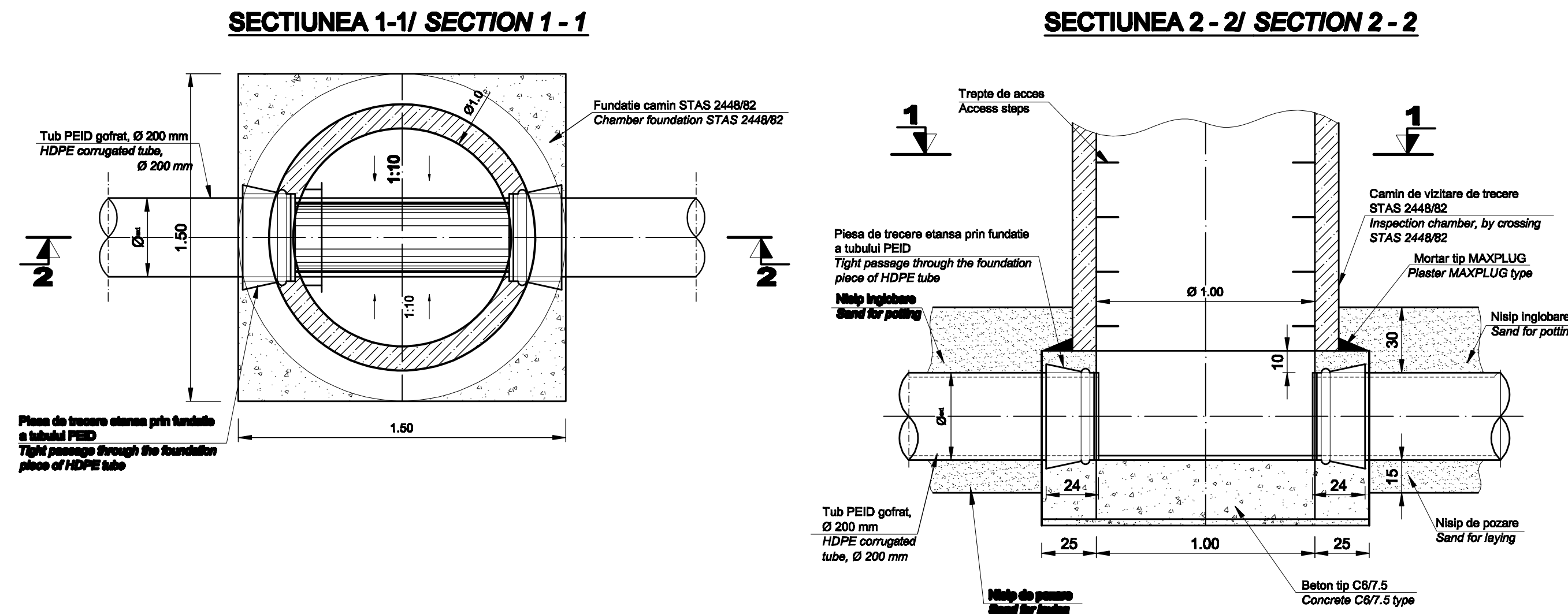


NOTA / NOTE:

- * Zona de acoperire si patul de pozare sunt compactate la aproximativ 91% PROCTOR NORMAL, STAS 2914/97.
- * In teren macroporic, conducta se va poza pe un pat de umplutura de 10 cm de pamant selectat si bine compactat.
- l₁ = latime sant conducta
- l₂ = latime sant ramificatii bransamente
- Ø = diametru conducta sau ramificatie bransament
- * Coverage and laying bed will be compacted about 91% NORMAL PROCTOR, STAS 2914/97.
- * Macroporous field, the pipeline will be sit on a bed of 10 cm of earth filling and well compacted selected.
- l₁ = pipeline trench width
- l₂ = trench width branching ramifications
- Ø = diameter pipe or branch ramification

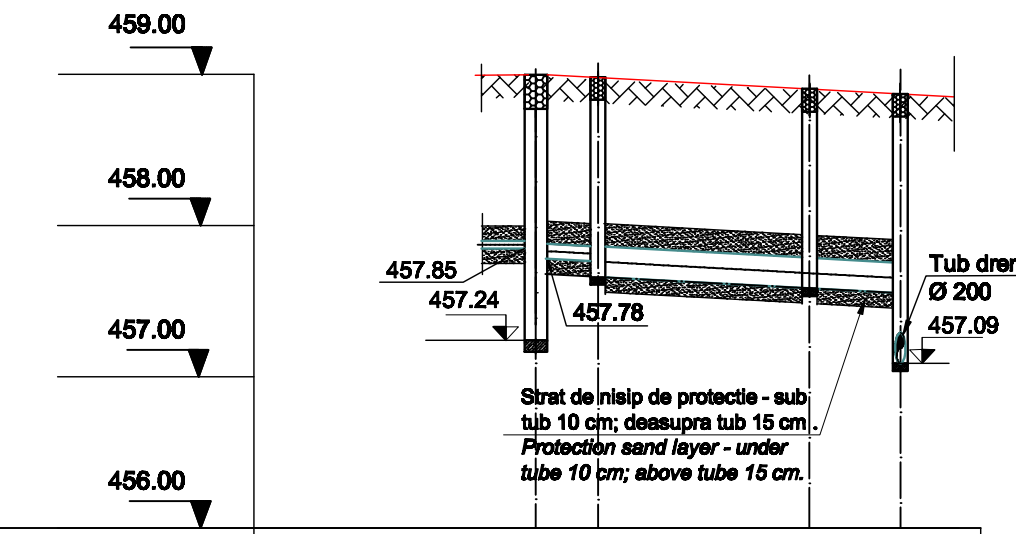
**DETALIU ETANSARE TRECERE TUB PRIN PERETII CAMINULUI/
SEAL DETAIL FOR TUBE PASSED THROUGH THE CHAMBER WALLS**

Scara/Scale: 1 / 20



**PROFIL LONGITUDINAL AL RETEI DE CANALIZARE /
LONGITUDINAL PROFILE FROM SEWERAGE NETWORK**

Scara / Scale : Orizontal - 1 : 500
Vertical - 1 : 50



DENUMIRE CAMIN / INSPECTION CHAMBER NUMBER	SN	P1	P2	CD
COTA TEREN AMENAJAT(CAPAC)/ LEVEL OF ARRANGED GROUND(COVER)	458.00	458.00	458.00	458.07
COTA RADIER TUB/ INVERT LEVEL OF TUBE	457.85 457.24	457.78 457.78	457.67 457.67	457.63 457.63
ADANCIME CAMIN/ CHAMBER DEPTH	1.76	1.20	1.23	1.24
ADANCIME SAPATURA/ DIGGING DEPTH	2.01	1.45	1.48	1.49
LUNGIME TRONSON/ SECTION LENGTH	2 m	14 m	6 m	
DISTANTE CUMULATE/ ACCUMULATED DISTANCES	0 m	2 m	16 m	22 m
PANTA TUB/ TUBE SLOPE	1%		6%	
DIMENSIUNE + MATERIAL TUB CANALIZARE / DIMENSION+MATERIAL OF SEWER TUBE	Tub PVC, tip SN4, Ø 110 mm / PCV tube, SN4 type, Ø 110 mm			
	Tub PEID gofrat, Ø 200 mm / PEHD corrugated tube Ø 200 mm			

EXECUTAREA LUCRARILOR DE MONTAJ A REZEI DE CANALIZARE APA UZATA SE VA FACE CU RESPECTAREA PRESCRIPTIILOR DIN CAIETUL DE SARCINI SPECIFIC ACESTUI TIP DE LUCRARE.

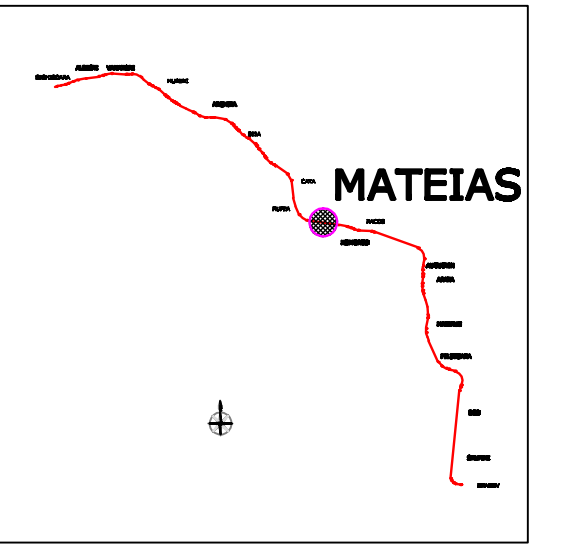
THE EXECUTION OF THE FIXING WORKS FOR WASTEWATER NETWORK WILL BE CARRIED OUT ACCORDING TO THE PROVISIONS OF THE TECHNICAL SPECIFICATIONS THAT ARE INTENDED FOR THIS TYPE OF WORKS.

NOTA:

- * CERINTA DE CALITATE MINIMA A EXIGENTELOR ESSENTIALE ESTE IS CONFORM H.G.925-95.
- * CATEGORIA DE IMPORTANTA "C" NORMALA, CALITATEA LUCRARILOR ASIGURANDU-SE DUPA MODELUL 3.

NOTE:

- * MINIMUM QUALITY REQUIREMENT FOR ESSENTIAL NEEDS ARE IS ACCORDING H.G.925-95.
- * IMPORTANCE CATEGORY - NORMAL "C", THE WORK QUALITY WILL COMPLY WITH MODEL 3



NOTA:

- Se va consulta impreuna cu planul: Retea exterioara de canalizare. Plan de situatie.
- Orice modificare a proiectului fara avizul proiectantului de specialitate, va cadea in raspundabilitatea beneficiarului, proiectantul nemaiind responsabil de functionarea deficienta a instalatiilor prevazute in proiect.

NOTE:

- This drawing will be consulting with the following plan: Sewerage network. Location plan .
- Any change to the project without the advice of professional designer, will fall into responsibilities of the beneficiary, the designer no longer responsible for malfunctioning facilities specified in the project.

D	C	B	A
Indice	Data	Modificari Modificator/Revizor	Proiectant Designer
		Agenta Consultant Approved Consultant	Agenta CFR Approved CFR

GUVERNUL ROMANIEI / ROMANIAN GOVERNMENT
PROIECT FINANȚAT DE UNIUNEA EUROPEANĂ / EUROPEAN UNION FINANCED PROJECT

CFR
C.N.C.F. "C.F.R." - S.A.

CONSULTANT / CONSULTANT		Data Date	Stampă / Stamp
Agenta Approved	Șef proiect Project manager	R. Lizza	DEC. 2011
Agenta Approved	Coordonator Secțiune 1 Section 1 Coordinator	C. Gambelli	DEC. 2011
Verificat Checked	Expert Verificator Verifier Expert	Giuseppe Fioravanti	DEC. 2011

SUBCONTRACTANT / SUBCONTRACTOR		Data Date	Stampă / Stamp
Agenta Approved	Responsabil Subcontractant Subcontractant Responsible	Adrian Stancliu - Dinulescu	DEC. 2011
Intocmit Elaborat	Proiectant Designer	Florian Duță	DEC. 2011

Reabilitarea liniei de cale ferata Braşov - Simeria, parte componentă a coridorului IV Pan European, pentru circulația trenurilor cu viteză maximă de 160 km/h, Tronsonul : Braşov - Sighişoara
Rehabilitation of the railway line Braşov - Simeria, component Part of the IV Pan-European Corridor, for the trains circulation with maximum speed of 160 km/h, Section : Braşov - Sighişoara

Denumire desen / Drawing Title :
Halta CF MATEIAS km 225+100. Retea exterioara de canalizare apa uzata. Detalii de executie pentru retea de canalizare .
MATEIAS railway halt km 225+100. Wastewater sewerage network. Design details for sewerage network.

Codificare / Codification System	Scara / Scale: 1 : 20	LOT / LOT	Nr. / No 01 / 01
E A 5 1 0 1 E 1 2 P B I S 0 1 2 4 0 0 3 0			