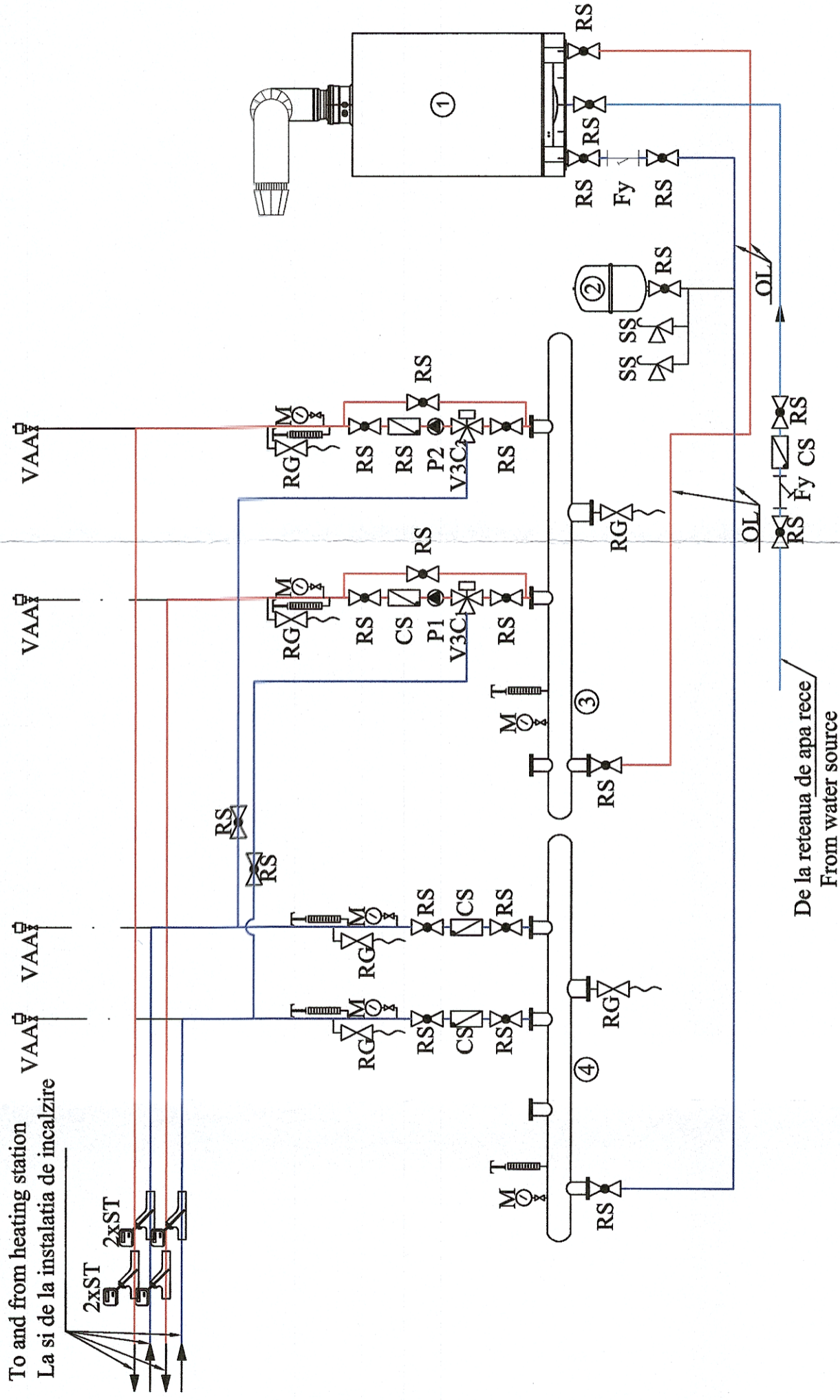


To and from heating station  
La si de la instalatia de incalzire



De la retea de apa rece  
From water source

**LEGENDA:**

- 1 - Centrala termica murala in condensatie Q=24 kW / Wall-mounted condensing boiler Q=24 kW
- 2 - Vas de expansiune inchis incalzire / Expansion vessel
- 3 - Distribuitor 2 circuite + 1 de rezerva / Dispenser 2 circuits+1 reserve
- 4 - Colector 2 circuite + 1 de rezerva / Collector 2 circuits + 1 reserve
- SS - Supapa de siguranta cu arc / Safety valve
- P1,P2 - Pompa circulatie agent termic circuit incalzire / Circulation pump for heating circuit
- V3C1,2 - Robinet electromagnetic cu trei cai / Electromagnetic valve with 3 ways
- RG - Robinet de golire cu portfurun / Drain valve
- RS - Robinet cu opturator sferic / Closing valve
- RA - Robinet de amestec / Mixture valve
- CS - Clapeta de sens cu ventil / Reversing flap
- T - Termometru / Thermometer
- M - Manometru / Manometer
- ST - Senzor de temperatura / Temperature sensor
- VA - Ventil de aerisire / Ventilation valve
- Fy - Filtru cu sita din inox / Y filter
- Conducta agent termic apa calda tur / Main heating pipe
- Conducta agent termic apa calda retur /Returning heating pipe
- Conducta apa rece / Water pipe
- Conducta expansiune;/ Expansion pipe

PROIECT FINANȚAT DE  
UNIUNEA EUROPEANĂ  
EUROPEAN UNION  
FINANCED PROJECT



GUVERNUL ROMÂNIEI  
GOVERNMENT OF  
ROMANIA



BENEFICIAR:  
COMPANIA NAȚIONALĂ DE CĂI FERATE "C.F.R." S.A.  
ROMANIAN RAILWAY NATIONAL COMPANY



PROIECTANT/  
DESIGNER:  
ASOCIETATEA  
JOINT VENTURE:  
BAICONS Impex SRL  
140/9877/2001



INGENIERIA ESPECIALIZATA  
OBRA CIVIL E INDUSTRIAL SA  
140/20534/2004



PROIECTANT/ DESIGNER	NUME/NOME	SEMNATURA/ SIGNATURE
EXPERT CHEF/ KEY EXPERT	ing. Vladimir DINU	
MP/PM	ing. Vlad PETEAN	
DATA/DATE:	ing. Marin BAICU	
06.2023	SCARA/SCALE:	%

DENUMIRE  
PROJECT/IDENUMIRE  
LUCRARE:  
PROJECT TITLE/  
WORKS TITLE:  
SPECIALTATE/  
SPECIALTY  
DENUMIRE PLAN/  
DRAWING TITLE  
EXEMPLAR NR./  
EXEMPLARY NO.

MODERNIZAREA INFRASTRUCTURII DE CALE FERATA DINTRE STATIILE CF  
BUCURESTI-NORD - JILAVA - GIURGIU-NORD - GIURGIU-NORD-FRONTIERA  
MODERNIZATION OF THE RAILWAY INFRASTRUCTURE  
BUCHAREST NORTH - JILAVA - GIURGIU NORTH - GIURGIU NORTH BORDER

INSTALATIILE TERMOVENTILATIILOR  
THERMOVENTILATION INSTALLATIONS  
PROPUNERE SCENARIU 1a - CLADIRE CALATORI - PROGRESU -  
PROPOSAL SCENARIO 1a - TRAIN STATION BUILDING -  
PROGRESU - THERMAL INSTALLATION SCHEME  
COD PLAN/  
CODIFICATION SYSTEM: