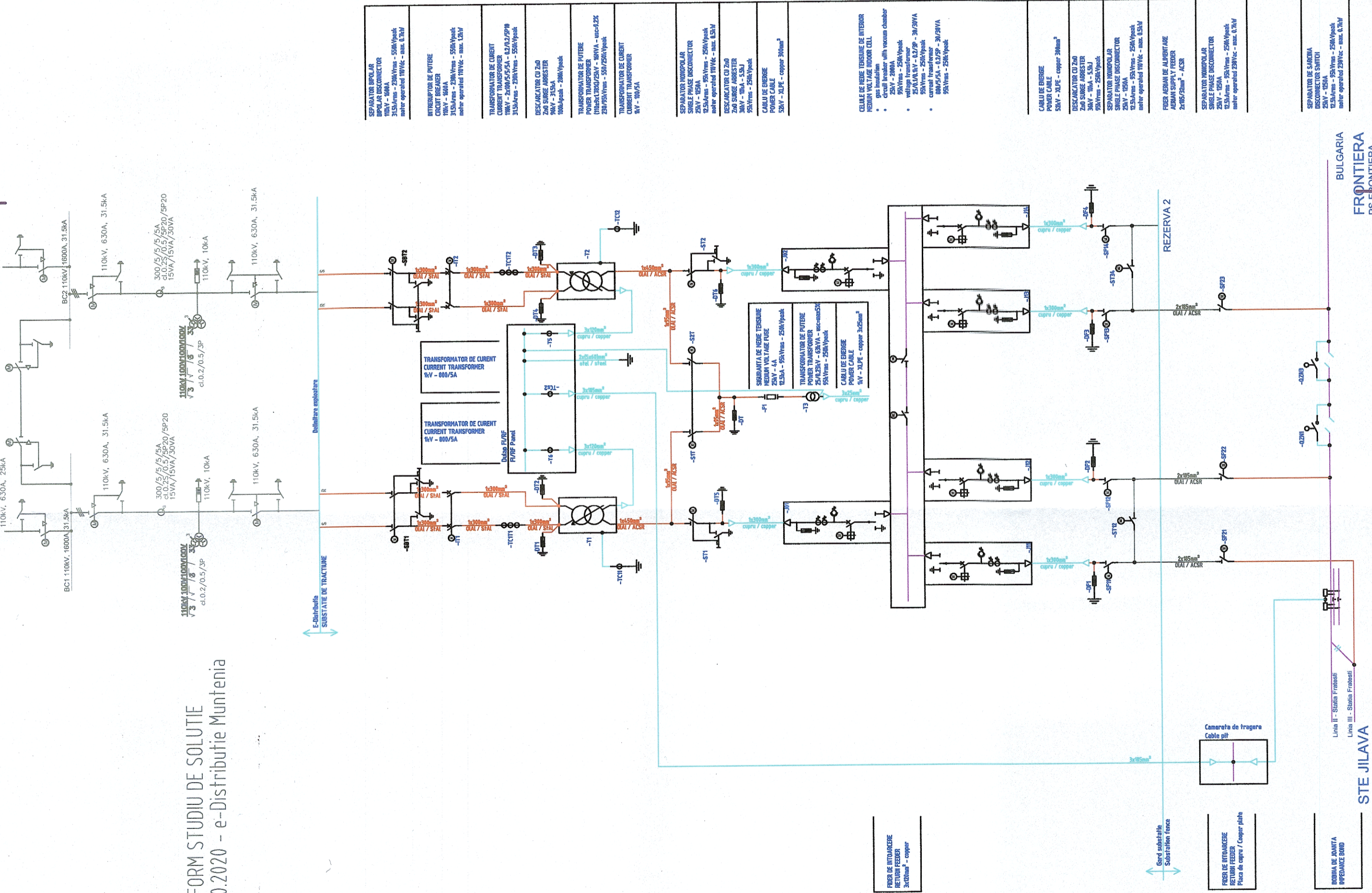


RACORD 110kV CONFORM STUDIULUI DE SOLUTIE
AVIZ CTE 27/11/12.10.2020 - e-Distributie Muntenea



<p>SEPARATOR POLAR POLARISATOR 315kV/200A - 200kV/200A - 500kV/200A max. operat. 100kV - max. 0.10kA</p>	<p>INTERRUPTOR DE PUTERE 110kV/31.5kA 315kV/200A - 200kV/200A - 500kV/200A max. operat. 100kV - max. 0.10kA</p>	<p>TRANSFORMATOR DE CURENT CURRENT TRANSFORMER 110kV - 0.10kA/5A 110kV - 0.10kA/5A max. operat. 100kV - max. 0.10kA</p>	<p>DISJUNCTIV CU 200 200 AMPERE ARRESTER 110kV/200A - 200kV/200A - 500kV/200A max. operat. 100kV - max. 0.10kA</p>	<p>TRANSFORMATOR DE PUTERE POWER TRANSFORMER 110kV/31.5kA - 200kV/31.5kA - 500kV/31.5kA max. operat. 100kV - max. 0.10kA</p>	<p>TRANSFORMATOR DE CURENT CURRENT TRANSFORMER 110kV - 0.10kA/5A</p>	<p>SEPARATOR VOLTPOLAR POLARISATOR 20kV - 10kA 25kV/10kA - 50kV/10kA - 100kV/10kA max. operat. 10kV - max. 0.10kA</p>	<p>SEPARATOR DE CURENT CURRENT TRANSFORMER 20kV - 10kA/5A 25kV/10kA - 50kV/10kA - 100kV/10kA max. operat. 10kV - max. 0.10kA</p>	<p>SEPARATOR DE CURENT CURRENT TRANSFORMER 20kV - 10kA/5A 25kV/10kA - 50kV/10kA - 100kV/10kA max. operat. 10kV - max. 0.10kA</p>	<p>SEPARATOR DE CURENT CURRENT TRANSFORMER 20kV - 10kA/5A 25kV/10kA - 50kV/10kA - 100kV/10kA max. operat. 10kV - max. 0.10kA</p>	<p>SEPARATOR DE CURENT CURRENT TRANSFORMER 20kV - 10kA/5A 25kV/10kA - 50kV/10kA - 100kV/10kA max. operat. 10kV - max. 0.10kA</p>
--	---	---	--	--	--	---	--	--	--	--

<p>PROIECT FINANȚAT DE UNIUNEA EUROPEANĂ EUROPEAN UNION FINANCED PROJECT</p>		<p>GVERNUL ROMÂNIEI GOVERNMENT OF ROMANIA</p>
<p>BENEFICIAR: COMPANIA NAȚIONALĂ DE CĂI FERATE "C.F.R." S.A. ROMANIAN RAILWAY NATIONAL COMPANY</p>		<p>MODERNIZAREA INFRASTRUCTURII DE CĂLE FERATE DINTRE STAȚIILE CF BUCUREȘTI NORD - JILAVA - GIURGIU NORD - GIURGIU NORD FRONTIERA BUCHAREST NORTH - JILAVA - GIURGIU NORTH - GIURGIU NORTH BORDER</p>
<p>PROIECTANT/DESIGNER: Ing. Marius UDREA</p>	<p>SEMNTURĂ/SIGNATURE Ing. Marius UDREA</p>	<p>ENERGOALIMENTARE POWER SUPPLY</p>
<p>ASOCIEREA/JOINT VENTURE: INGENIERIA ELECTRICĂ SA BALCONS Imexx S.R.L. 440/6877/2001 440/20534/2004</p>	<p>INGENIERIA ELECTRICAL ENGINEERING</p>	<p>MODERNIZAREA INFRASTRUCTURII DE CĂLE FERATE DINTRE STAȚIILE CF BUCUREȘTI NORD - JILAVA - GIURGIU NORD - GIURGIU NORD FRONTIERA BUCHAREST NORTH - JILAVA - GIURGIU NORTH - GIURGIU NORTH BORDER</p>
<p>DATA/DATE: 06.2023</p>	<p>SCALA/SCALE: 1:1</p>	<p>COD PLAN/CODIFICATION SYSTEM: SF_207_002_00_EA_03_04</p>