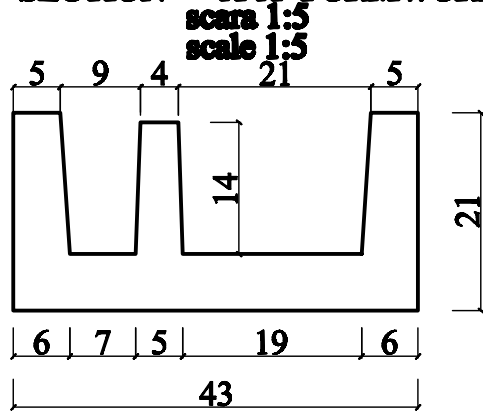
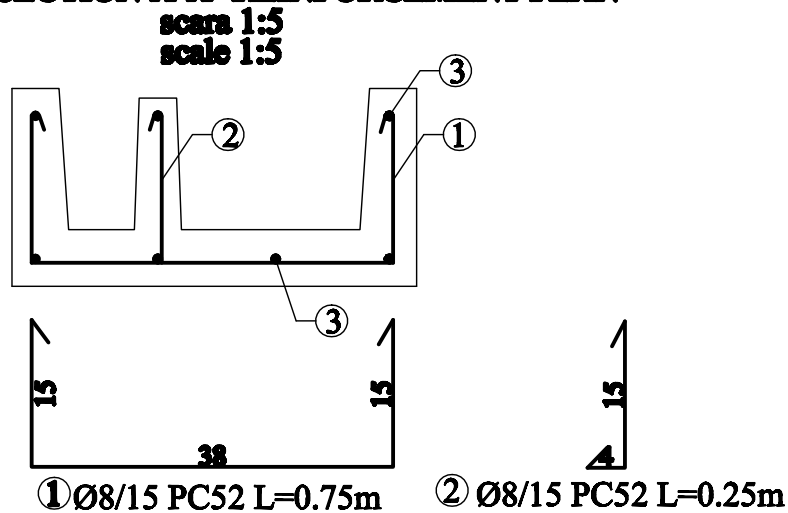


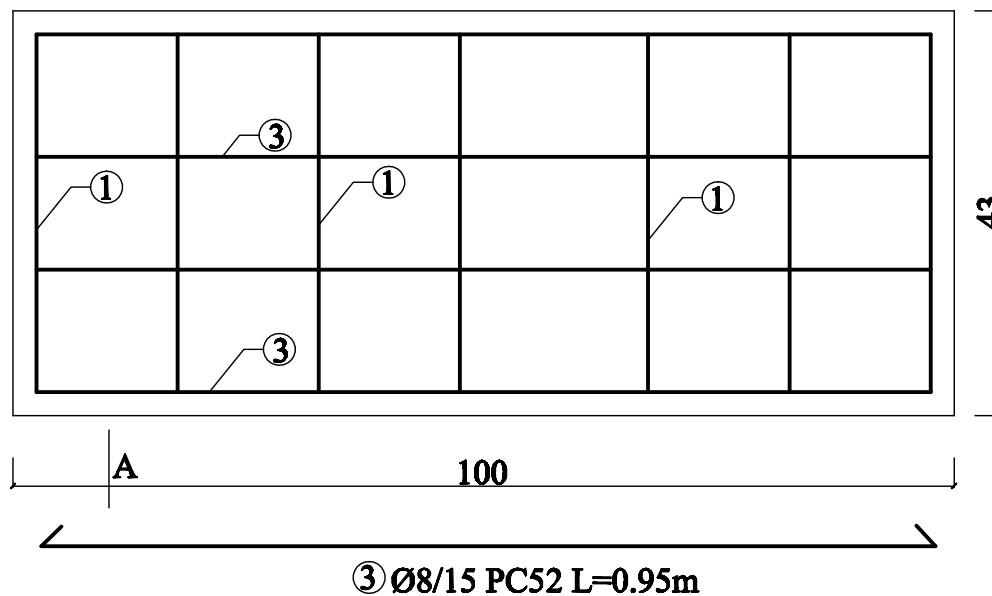
SECTIUNEA A-A- PLAN COFRAJ
SECTION A-A- FORMWORK PLAN



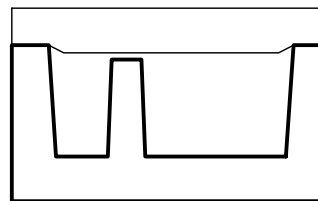
SECTINE A-A- PLAN ARMARE
SECTION A-A- REINFORCEMENT PLAN



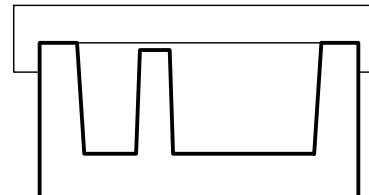
CABLE CHANNEL-PLAN VIEW
scara 1:5
scale 1:5



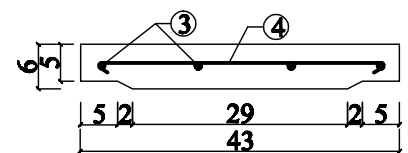
VEDERE ANSAMBLU
CANAL+CAPAC model A
TOTAL VIEW
CHANNEL+TOP model A



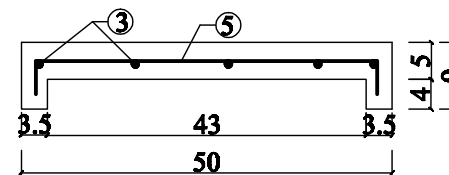
VEDERE ANSAMBLU
CANAL+CAPAC model B
TOTAL VIEW
CHANNEL+TOP model B



CAPAC CANAL- model A
CHANNEL TOP- model A
scara 1:5
scale 1:5



CAPAC CANAL model B
CHANNEL TOP- model A
scara 1:5
scale 1:5



EXTRAS ARMATURA-CANAL+CAPAC A **EXTRAS ARMATURA-CANAL+CAPAC B**
REINFORCEMENT TABLE-CHANNEL+TOP A **REINFORCEMENT TABLE-CHANNEL+TOP B**

MARCA/ STAMP	φ	Nr buci/ Pieces number	Lungime/ Length	
				PC52
				8
1	8	7	0.75	5.3
2	8	7	0.25	1.8
3	8	8	0.95	7.6
4	8	7	0.45	3.2
5				
6				
7				
total lungimi/ total length				17.8
kg / ml				0.384
kg / φ				7
TOTAL				7

MARCA/ STAMP	φ	Nr buci/ Pieces number	Lungime/ Length	
				PC52
				8
1	8	7	0.75	5.3
2	8	7	0.25	1.8
3	8	8	0.95	7.6
4	8	7	0.60	4.2
5				
6				
7				
total lungimi/ total length				18.8
kg / ml				0.384
kg / φ				7
TOTAL				7

CARACTERISTICI PREFABRICATE
CHARACTERISTIC OF PRECAST ELEMENTS

TIP PREFABRICAT PRECAST TYPE	VOLUM BETON CONCRETE VOLUME C18/20 - m³	MASA ELEMENT ELEMENT'S WEIGHT - t	COFRAJ FORMWORK - m²	MARCA OTEL REINFORCEMENT TYPE PC52 - kg	TOTAL ARMATURA TOTAL REINFORCEMENT - kg
CANAL CHANNEL	0.06 m³	0.2t	4 - m²	7 - kg	7 - kg

Indice Index	Data Date	Modificari Modifications/Revisions	Proiectant Designer	Aprobat Consultant Approved Consultant	Aprobat CFR Approved CFR
D					
C					
B					
A					



CLIENT / CLIENT

CFR **C.N.C.F. "C.F.R." - S.A.**

ITALFERR **Scott Wilson** **OBERMEYER** **TECNIC**
GRUPPO FERROVIE DELLO STATO PLANEN + BERATEN GmbH Consulting Engineers

CONSULTANT / CONSULTANT

Aprobat Approved	Data Date	Responsabil Consultant Responsible	Signature
		R. Luiza	
		C. Gambell	
		Giuseppe Fioravelli	

SUBCONTRACTOR / SUBCONTRACTOR

Aprobat Approved	Data Date	Responsabil Subcontractor Responsible	Signature
		A. Stanolu - Director	
		Firmina Markus Claudia	

Reabilitarea liniei de cale ferata Braşov - Simeria, parte componentă a coridorului IV Pan European, pentru circulaţia trenurilor cu viteză maximă de 160 km/h, Tronçonul : Braşov - Sighişoara
Rehabilitation of the railway line Braşov - Simeria, component Part of the IV Pan-European Corridor, for the trains circulation with maximum speed of 160 km/h, Section : Braşov - Sighişoara

Proiect/Project
2004/RO/16/PPA009
Faza / Phase:
D.E. / E.D.

Denumire desen / Drawing Title:
PLAN STANDARD -CANAL PENTRU CABLURI
STANDARD PLAN - CABLE CHANNEL

Codificare / Codification System	Scara / Scale 1:5	LOT / LOT	Nr. / No 01/01
E A 5 1 0 1 E 0 0 B Y C C 0 0 0 0 0 0 0 3 0			