

D					
C					
B					
A					
Indice Index	Data Date	Modificare Modification/Revision	Proiectant Designer	Aprobat Consultant Approved Consultant	Aprobat CFRR Approved CFRR



GUVERNUL ROMANIEI ROMANIAN GOVERNMENT

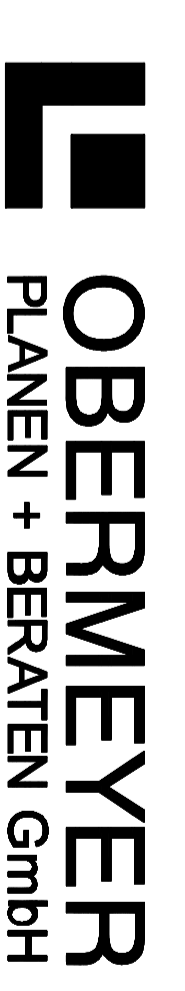


PROIECT FINANȚAT DE UNIUNEA EUROPEANĂ EUROPEAN UNION FINANCED PROJECT



C.N.C.F. "C.F.R." - S.A.

CLIENT / CLIENT



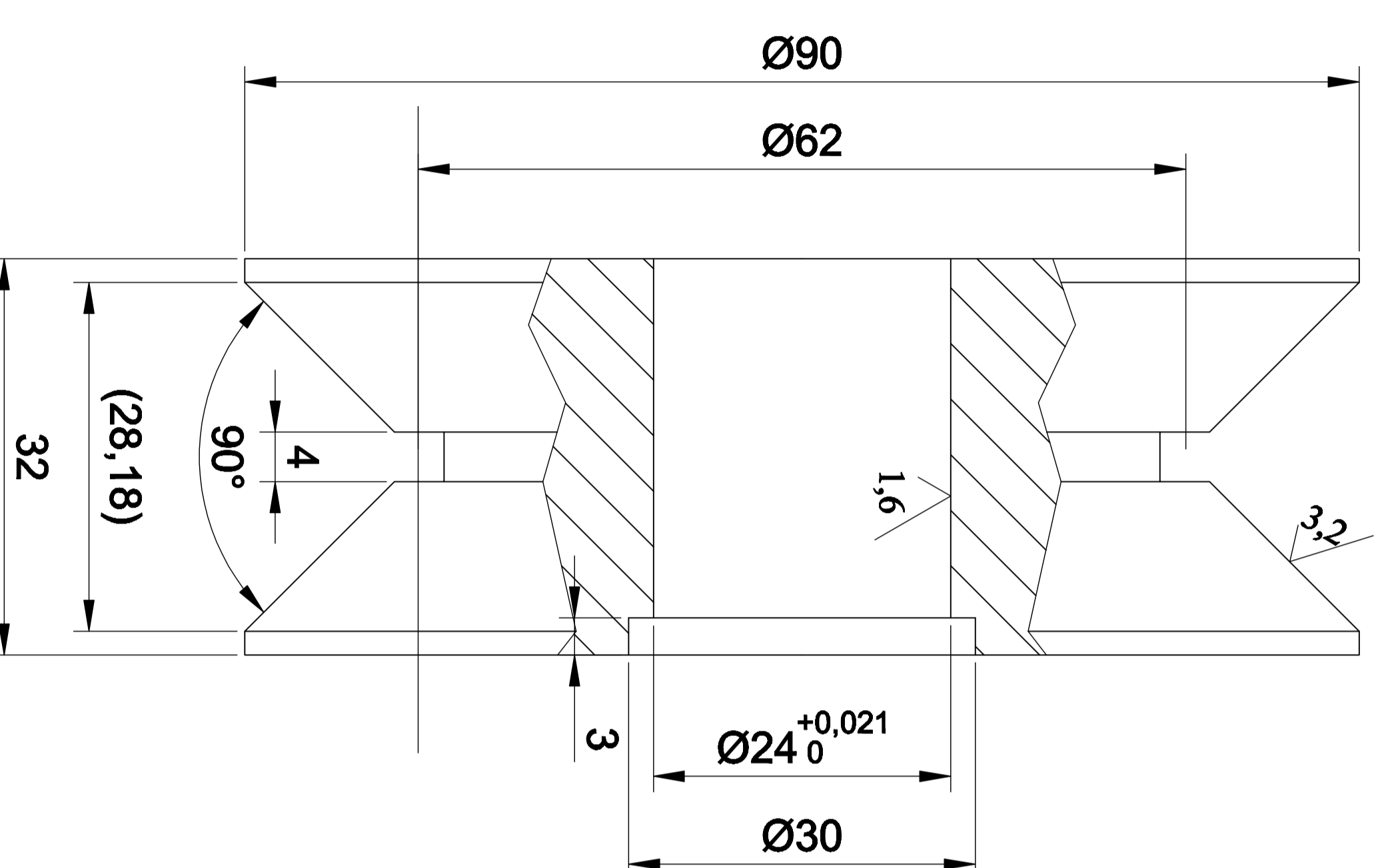
GRUPPO FERROVIE DELLO STATO
Joint Venture leader

PLANEN + BERATEN GmbH

Consulting Engineers

CONSULTANT / CONSULTANT

Aprobat Approved	Self project Project manager	Data Date	Semnătură Signature
Aprobat Approved	Coordinator Section 1		
Verificat Verified	Verifier		

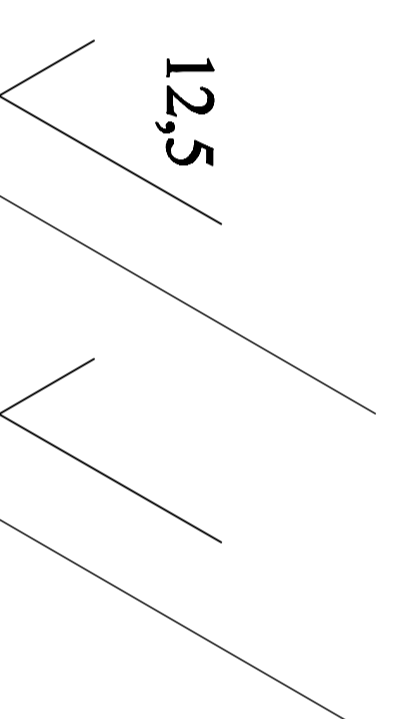


NOTĂ:

- Muchilie ascuțite se vor rotunji R0,5
- MATERIAL: OL 52
- Masa: 1,2kg

NOTE:

- Sharp edges will be rounded R0,5
- MATERIALS: OL 52
- Masse: 1,2kg



SUBCONTRACTANT / SUBCONTRACTOR		RESPONSABIL / RESPONSIBLE		PROIECT / PROJECT	
Aprobat Approved	Responsabil Subcontractant	A.Stanciu - Dinulescu			
Intocmit Elaborated	Proiectant Designer	Dorin Gavril			

Denumire desen / Drawing Title :

ROLĂ
ROLL

ANSAMBLU ROATĂ RULARE/ROLLING WHEEL ASSEMBLY
POARTA GARD PROTECȚIE/GATE PROTECTION FENCE

Codificare / Codification System

E	A	5	1	0	1	E	0	0	B	W	C	C	0	0	0	8	0	1	0	0
---	---	---	---	---	---	---	---	---	---	---	---	---	---	---	---	---	---	---	---	---

Scara / Scale	LOT / LOT	Nr. / No
1 : 1		01 / 01

A3(420x297)=0,125m²