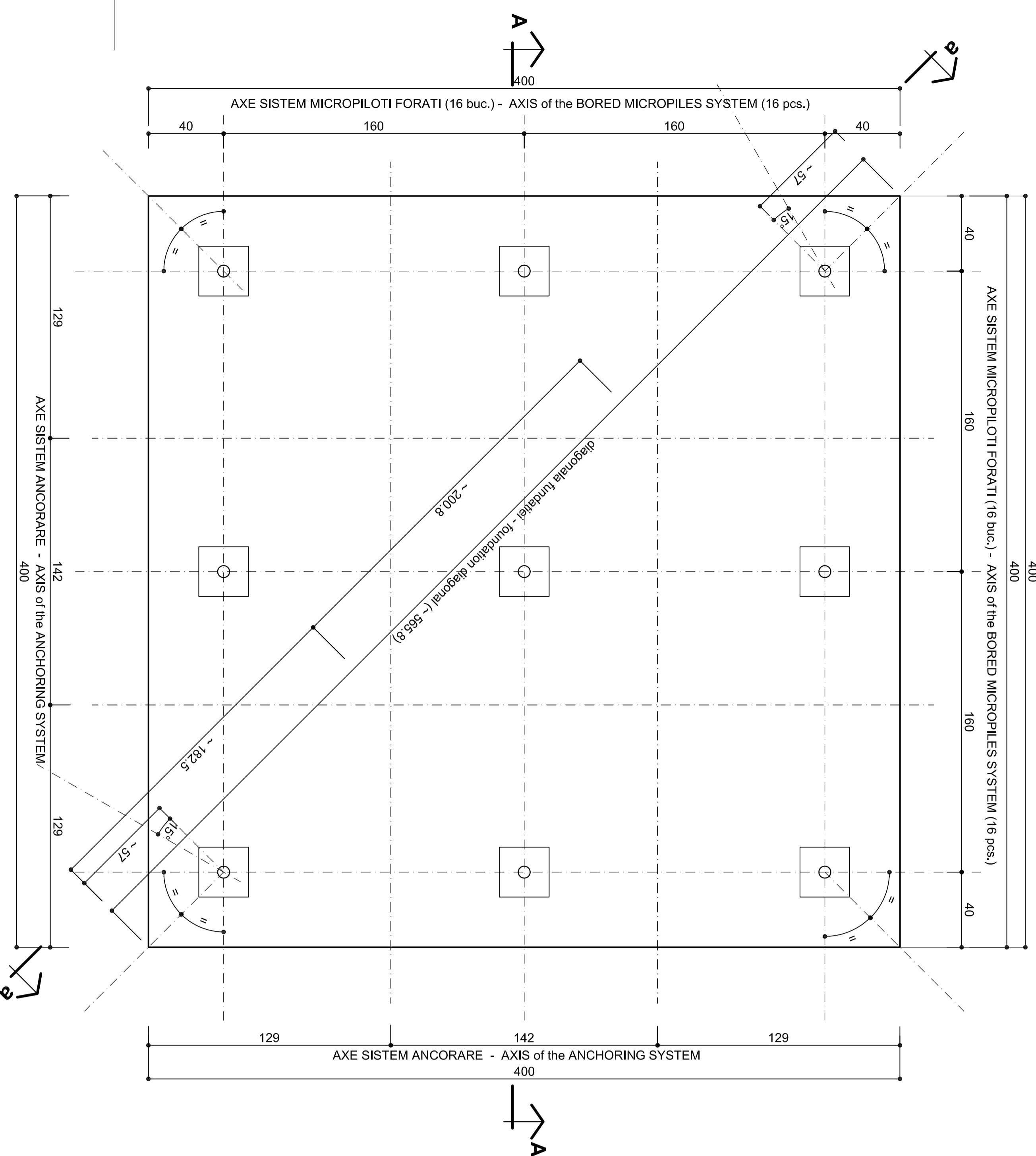


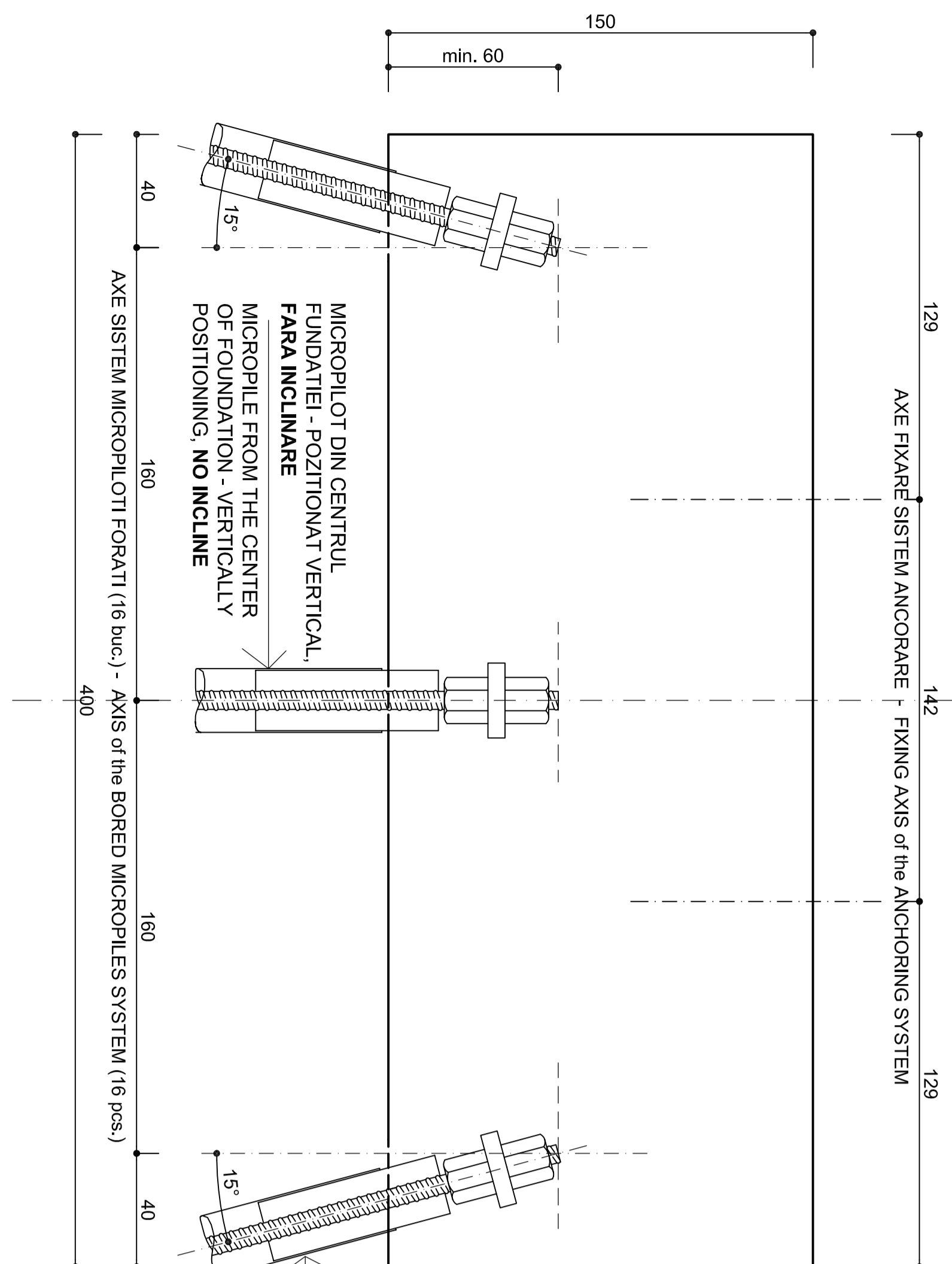
PLAN POZITIONARE MICROPILOTI FORATI
BORED MICROPILES POSITIONING PLAN

sec. 1 : 20



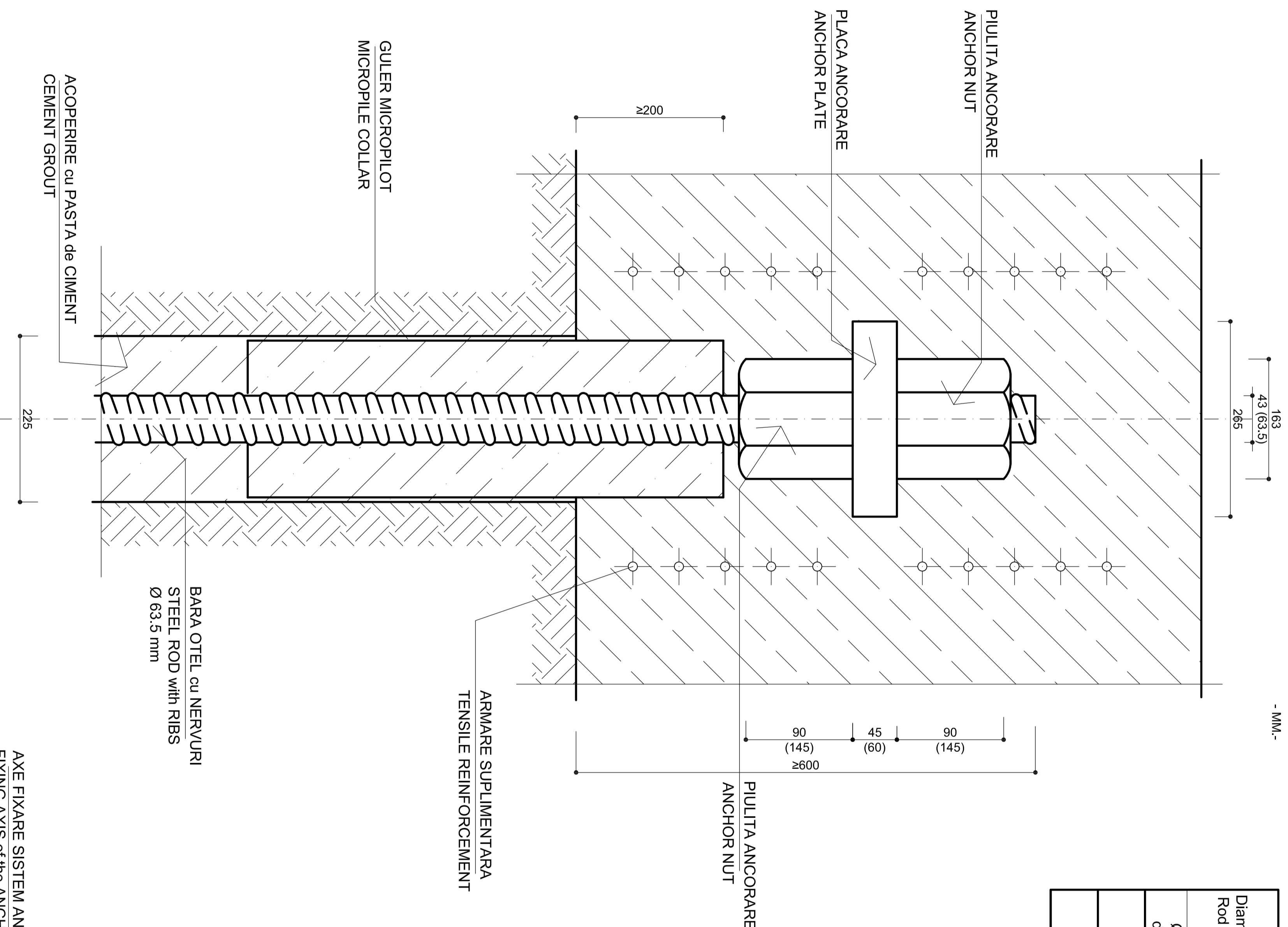
SECTIUNE - SECTION A - A

sec. 1 : 20



SOLICITARE ALTERNATIVA (tractiune si compresiune)
ALTERNATING LOAD (tension and compression)

sec. 1 : 5

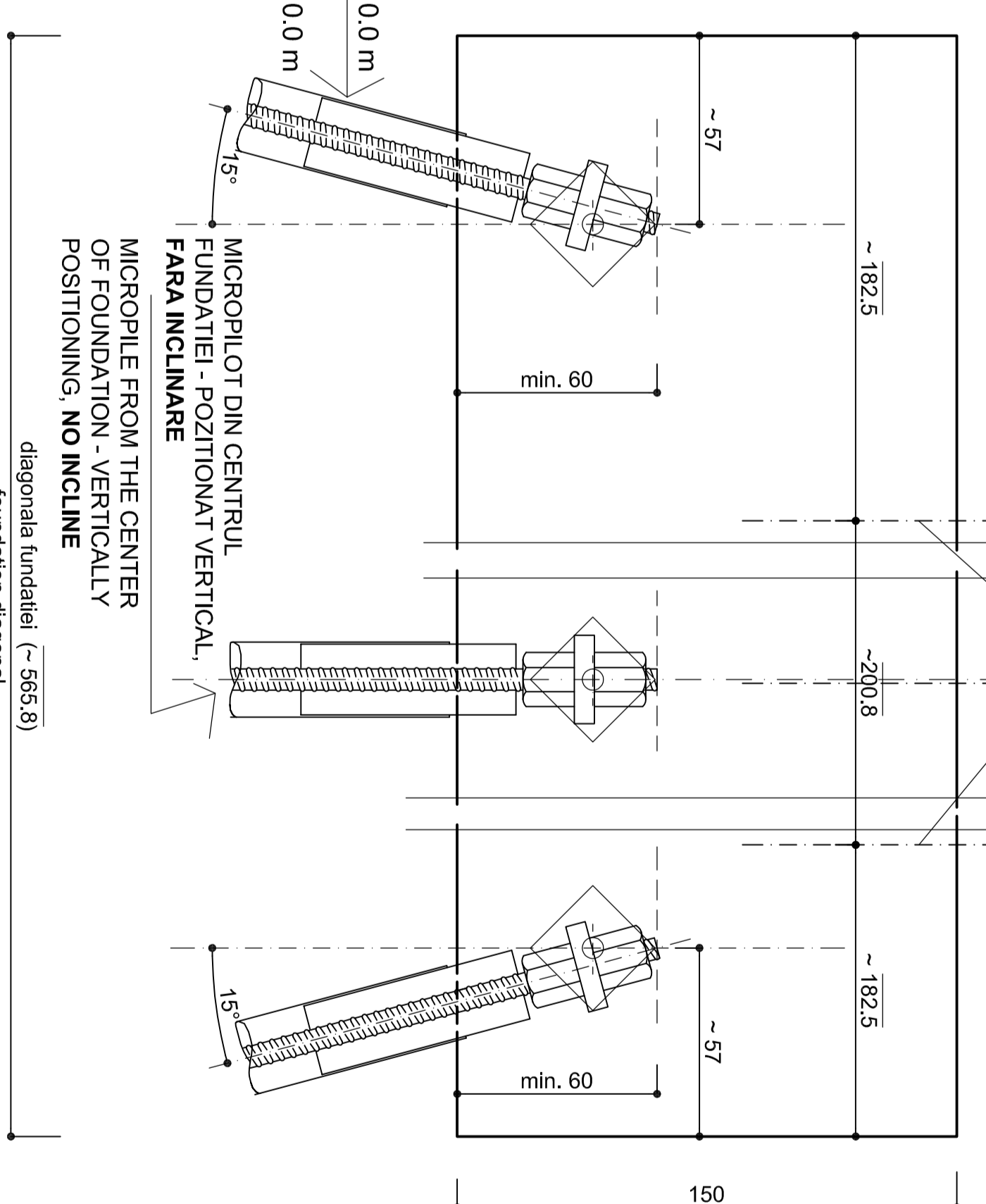


ACOPERIRE cu PASTA de CIMENT
CEMENT GROUT

AXE FIXARE SISTEM ANCORARE -
FIXING AXIS OF THE ANCHORING SYSTEM

- MICROPILOTI SE VOR INCLINA CATRE EXTERIORUL FUNDATIEI LA 15° FAZA DE VERTICALA.
- MICROPILOTUL SITUAT IN CENTRUL FUNDATIEI VA FI POZITIONAT VERTICAL, FAZA A FI INCLINAT.
- THE MICROPILES WILL BE TILT TOWARDS THE EXTERIOR OF THE FOUNDATION AT 15 DEGREE WITH RESPECT TO THE VERTICAL.
- THE CENTRAL MICROPILE WILL BE VERTICALLY ORIENTED

BETON ARMAT - REINFORCED CONCRETE :
C 25/30 - P12 - T4 - IVA - SR42.5 (SR1500)
OTEL BETON - STRUCTURAL STEEL :
PC 52



AXE FIXARE SISTEM ANCORARE -
FIXING AXIS OF THE ANCHORING SYSTEM

- MICROPILOTI SE VOR INCLINA CATRE EXTERIORUL FUNDATIEI LA 15° FAZA DE VERTICALA.
- MICROPILOTUL SITUAT IN CENTRUL FUNDATIEI VA FI POZITIONAT VERTICAL, FAZA A FI INCLINAT.
- THE MICROPILES WILL BE TILT TOWARDS THE EXTERIOR OF THE FOUNDATION AT 15 DEGREE WITH RESPECT TO THE VERTICAL.
- THE CENTRAL MICROPILE WILL BE VERTICALLY ORIENTED

BETON ARMAT - REINFORCED CONCRETE :
C 25/30 - P12 - T4 - IVA - SR42.5 (SR1500)
OTEL BETON - STRUCTURAL STEEL :
PC 52

Diametru bara Rod diameter ds [mm]	Gaura forata Bored hole cu mufa with coupler ds [mm]	Greutate nominala 1) Rated weight G kg/m	Sectiune Section As mm ²	Diametru al carotei Drill core diameter dh mm	dh mm	Inaltime Height min. a mm	Largime Width bs mm	Distanță Distance c mm	Inclinare Inclination Grad α	Raza Radius R mm
43	78	110	1452	42.4	41.9	2.00	8.0	17.0	83.4	2.0
63.5	90	144	24.86	62.4	60.7	2.40	10.5	21.0	84.4	2.5

NOTA

- DUPA DESCHIDEREA SANTIERULUI SE VA REALIZA UN SONDAJ GEOTEHNIC SUPPLEMENTAR PENTRU A VERIFICA STRATIFICATIJA TERENULUI.
- IN FUNCTIE DE CARACTERISTICELE TERENULUI, SE VA HOTARA, IMPREUNA CU PROIECTANTUL, TIPUL DE FUNDATIE ADOPTAT.
- SISTEMUL DE ANCORARE A STALPULI GSM PROIECTAT SI FURNIZAT (DE CATRE FURNIZORUL STALPULI GSM) SE VA FIXA IN BLOCUL DE FUNDATIE INAINTE DE TURNAREA BETONULUI.

NOTE

- AFTER OPENING THE WORKS SITE A SUPPLEMENTARY GEOTECHNICAL BOREHOLE SHALL BE DRILLED TO CHECK THE GROUND STRATIFICATION.
- DEPENDING ON THE GROUND CHARACTERISTICS THEY SHALL ADOPT THE FOUNDATION TYPE, TOGETHER WITH THE DESIGNER.
- THE ANCHORING SYSTEM FOR THE GSM POLES (DESIGNED AND DELIVERED BY THE GSM POLES SUPPLIER) SHALL BE FIXED INTO THE FOUNDATION BLOCK BEFORE CASTING THE CONCRETE.

D	C	B	A	Index	Date	Modificari Manufactur/Revision	Proiectant Designer	Consultant Approved Consultant	Director Approved CRF

CLIENT / CLIENT

GUVERNUL ROMANIEI
ROMANIAN GOVERNMENT

PROIECT FINANȚAT DE UNIUNEA EUROPEANA
EUROPEAN UNION FINANCED PROJECT

C.N.C.F. "C.F.R." - S.A.

CONSULTANT / CONSULTANT

TECNIC
Consulting Engineers

APROBARE

Approbat	Responsabil Subcontractor	Rus Avca	12/2011
Elaborat	Subcontractor/Responsable		

SUBCONTRACTANT / SUBCONTRACTOR

AMX

Approbat	Responsabil Subcontractor	A. Stanescu - Dimulescu	12/2011
Elaborat	Subcontractor/Responsable		

ANTENE GSM-R - DETALII MICROPILOTI
GSM-R ANTENNAS - MICROPILES DETAILS

Denumire desen / Drawing Title :

Codificare / Codification System

Scara / Scale

LOR / LOT

1:20

1:5

10/10