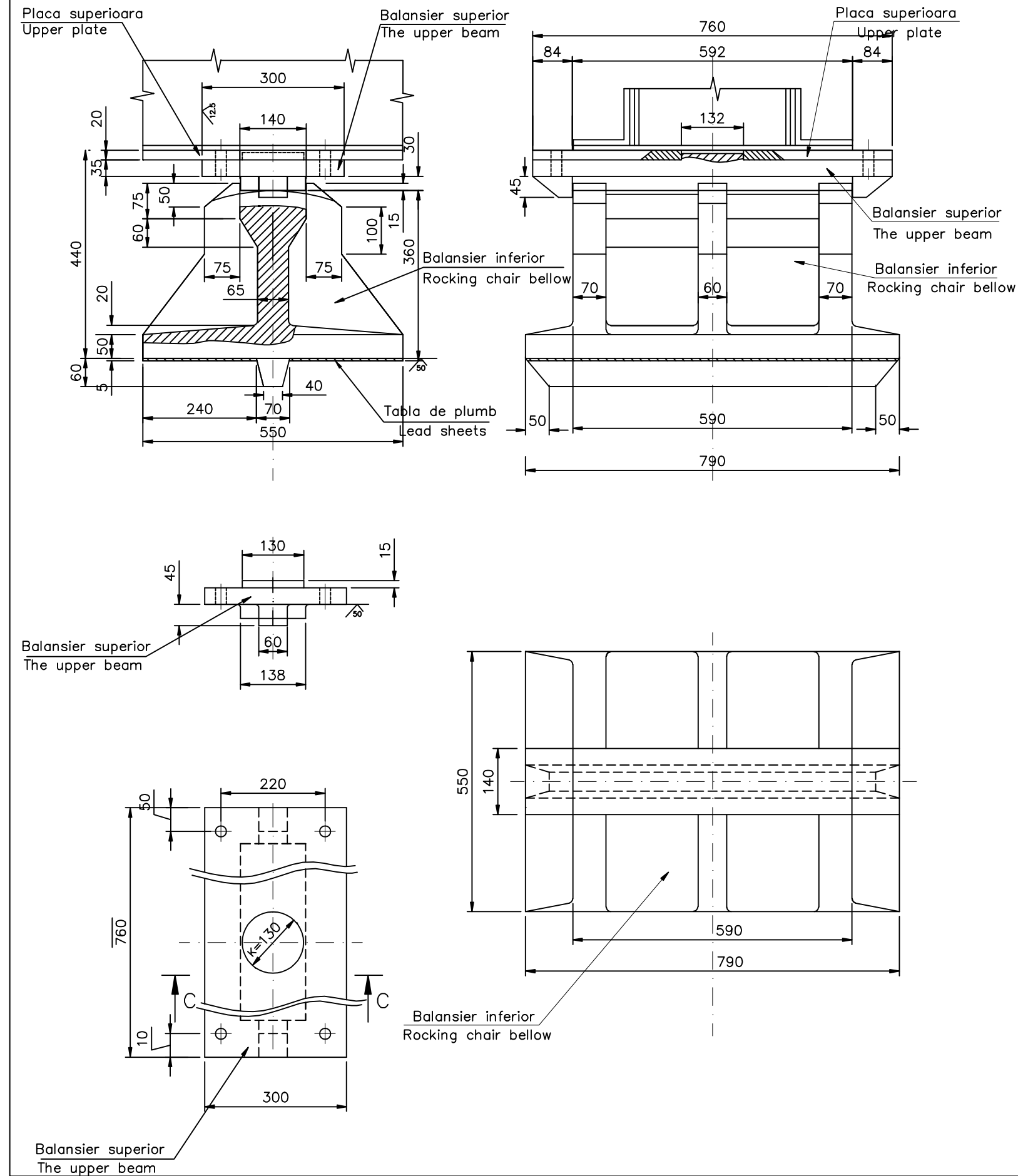
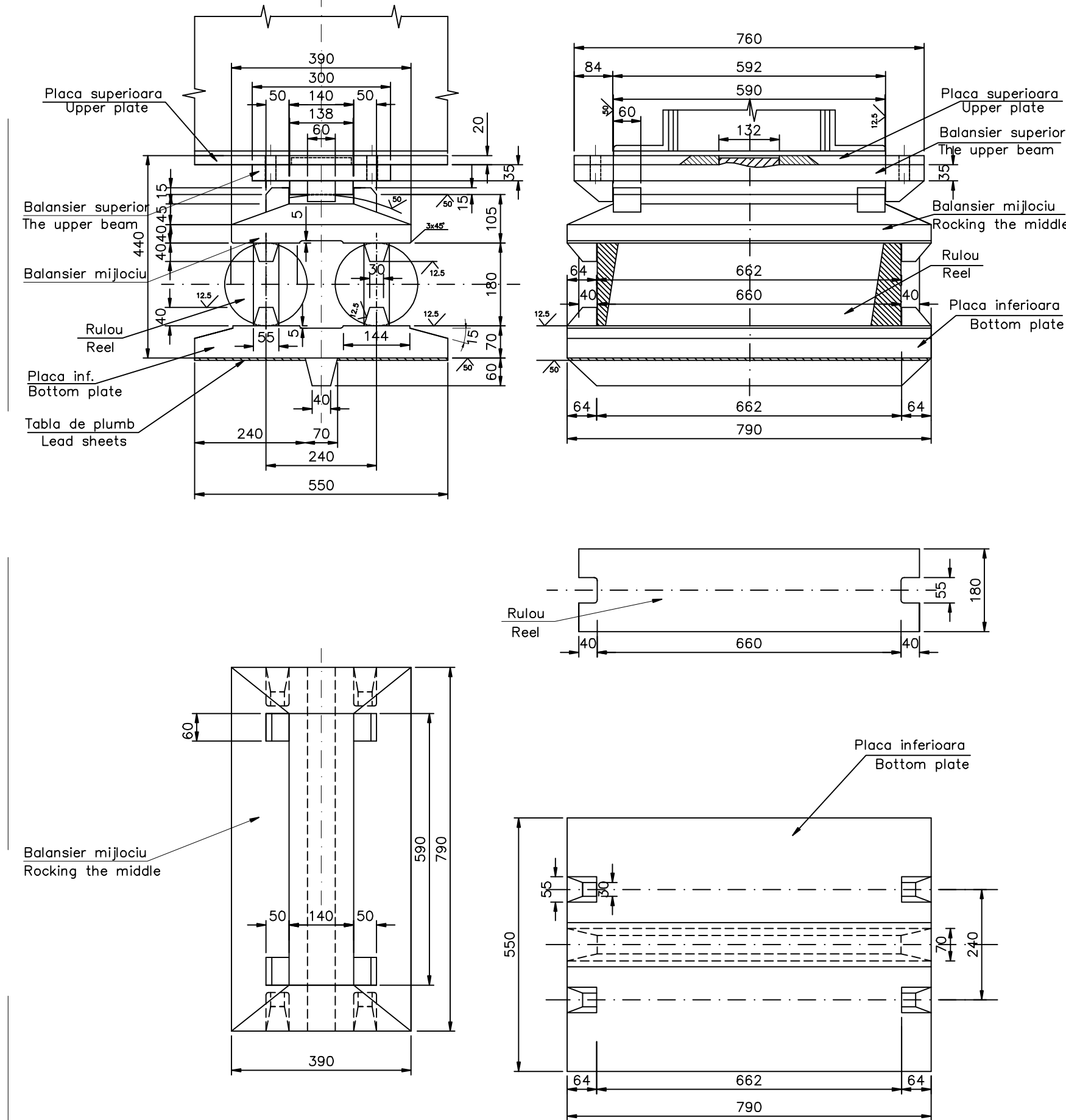


APARAT DE REAZEM FIX TIP V  
FIXED SUPPORT FOR BRIDGES TYPE V



APARAT DE REAZEM MOBIL TIP V  
APARAT DE REAZEM MOBIL TIP V



Se interzice copierea, difuzarea, imprumutarea sau utilizarea in alte scopuri, fara permisiunea Arex Lider Company ca proprietar al desenului.  
This drawing is forbidden to be copied, lent or used in other purposes than those previously approved by Arex Lider Company as its owner.

D					
C					
B					
A					
Indice Index	Data Date	Modificare Modification/Revision	Proiectant Designer	Aprobat Consultant Approved Consultant	Aprobat CFR Approved CFR
		<b>GUVERNUL ROMANIEI</b> ROMANIAN GOVERNMENT		<b>PROIECT FINANȚAT DE UNIUNEA EUROPEANĂ</b> EUROPEAN UNION FINANCED PROJECT	
<b>CLIENT / CLIENT</b>		<b>C.N.C.F. "C.F.R." - S.A.</b>			
<b>ITALFER</b> GRUPPO FERROVIE DELLO STATO Joint Venture leader		<b>Scott Wilson</b>		<b>OBERMEYER</b> PLANEN + BERATEN GmbH	
<b>CONSULTANT / CONSULTANT</b>		<b>TECNIC</b> Consulting Engineers			
Aprobat Approved	Șef proiect Project manager	R. Liuzza	Data Date	Semnătura Signature	
Aprobat Approved	Coordonator Secțiune 1 Section 1 Coordinator	C. Gambelli			
Verificat Checked	Expert Cheie Checking Expert	V.Kallidromitis			
<b>SUBCONTRACTANT / SUBCONTRACTOR</b>		<b>AREX</b> COMPANY			
Aprobat Approved	Responsabil Subcontractant Subcontractant Responsible	A. Dinulescu Stanciu	02.2012		
Intocmit Elaborated	Proiectant Designer	Ioan Rentea	02.2012		
Reabilitarea liniei de cale ferată Brașov - Simeria, parte componentă a coridorului IV Pan European, pentru circulația trenurilor cu viteză maximă de 160 km/h, Tronsoanelor : Brașov - Sighișoara Rehabilitation of the railway line Brașov - Simeria, component Part of the IV Pan-European Corridor, for the trains circulation with maximum speed of 160 km/h, Section : Brașov - Sighișoara			Proiect/Project 2004/RO/16/PPA/003  Faza / Phase: P.Th. / T.D.		
Denumire desen / Drawing Title : <b>INTERVAL / SECTION BRASOV-SIGHISOARA</b> <b>APARAT DE REAZEM TIP V</b> <b>SUPPORT FOR BRIDGES TYPE V</b>					
Codificare / Codification System		Scara / Scale 1:20	LOT / LOT	Nr. / No 01 / 01	
<b>E A 5 1 0 1 E 0 0 B K P V 0 0 0 0 0 0 1 0</b>					