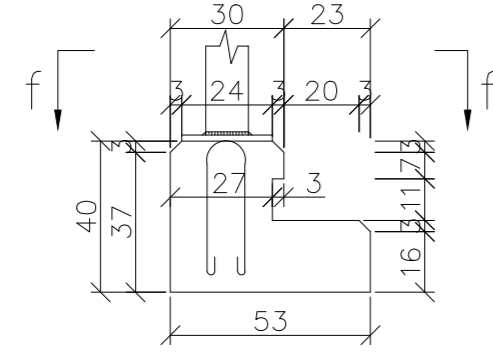
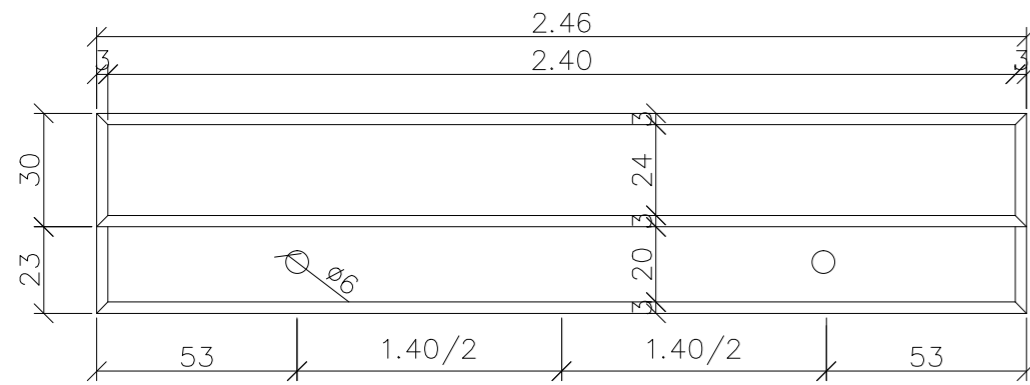


VEDERE e-e/e-e VIEW
Sc. 1:20



VEDERE f-f/f-f VIEW
Sc. 1:20



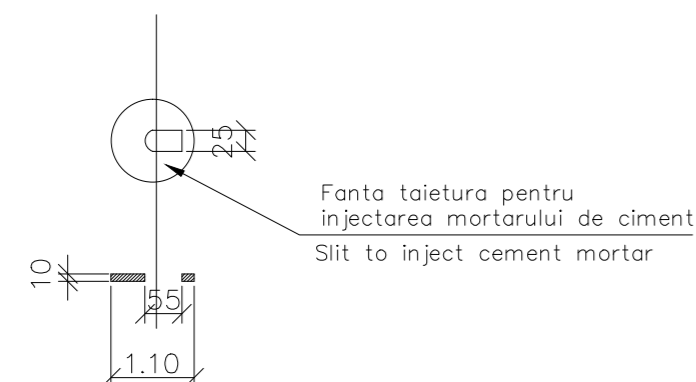
CLASA DE DURABILITATE/CLASS DURABILITY: D32/45a(XC4+XF3+XA1)
ACOPERIRE/COVERAGE: 4 cm S4(XC4+XF3+XA1) pentru o durata de viata de 50 ani/for a life duration of 50 years
OTEL BETON/CONCRETE STEEL - S255; S355; S345
BETON/CONCRETE - C 35/45

CLASA DE PRECIZIE/CLASS PRECISION = 7
CONFORM/ACCORDING SR EN 13369-89

CARACTERISTICILE UNUI TIMPAN PREFABRICAT T2
CHARACTERISTICS OF A PRECAST TYMPAN T2

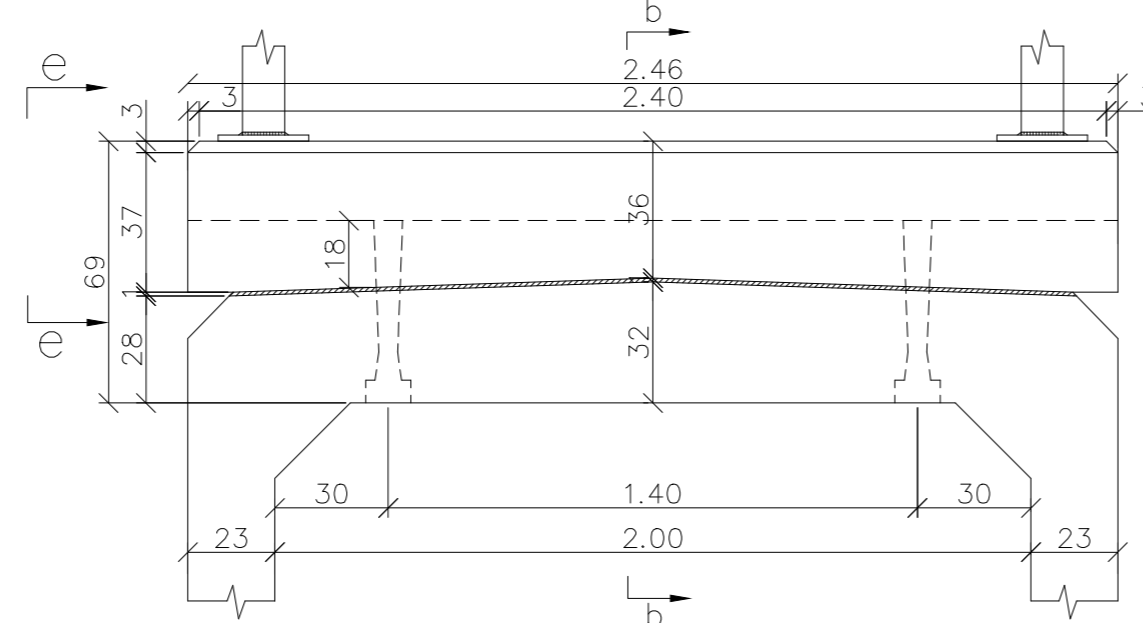
Beton Concrete	0.40m ³
Armatura (S255) Reinforcement (S255)	34.00kg
Cofraj Shuttering	4.61m ²
Greutate Weight	1.00t

Detaliu "A" - Saiba circulara
Detail "A" - Circular collar

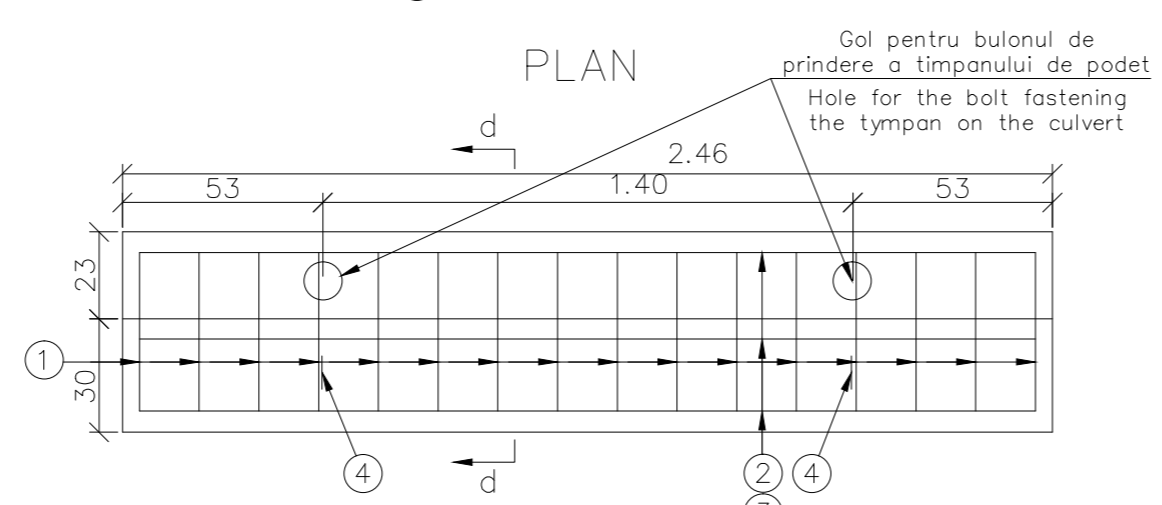
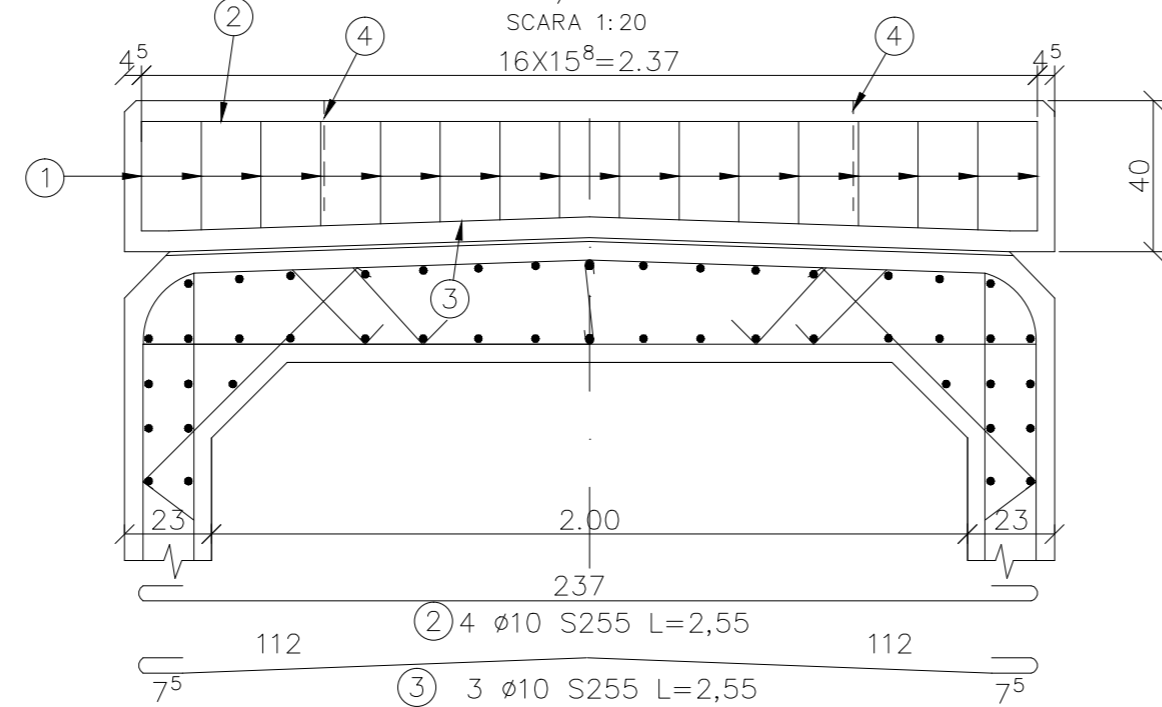


Se interzice copierea, difuzarea, imprumutarea sau utilizarea in alte scopuri, fara permisiunea AREX Lider Company ca proprietar al desenului.
This drawing is forbidden to be copied, lent or used in other purposes than those previously approved by AREX Lider Company as its owner.

SECTIUNE a-a/a-a SECTION
Sc. 1:20



ARMARE TIMPAN PREFABRICAT T2
REINFORCING THE PRECAST TYMPAN T2
VEDERE c-c/c-c VIEW



NOTA:

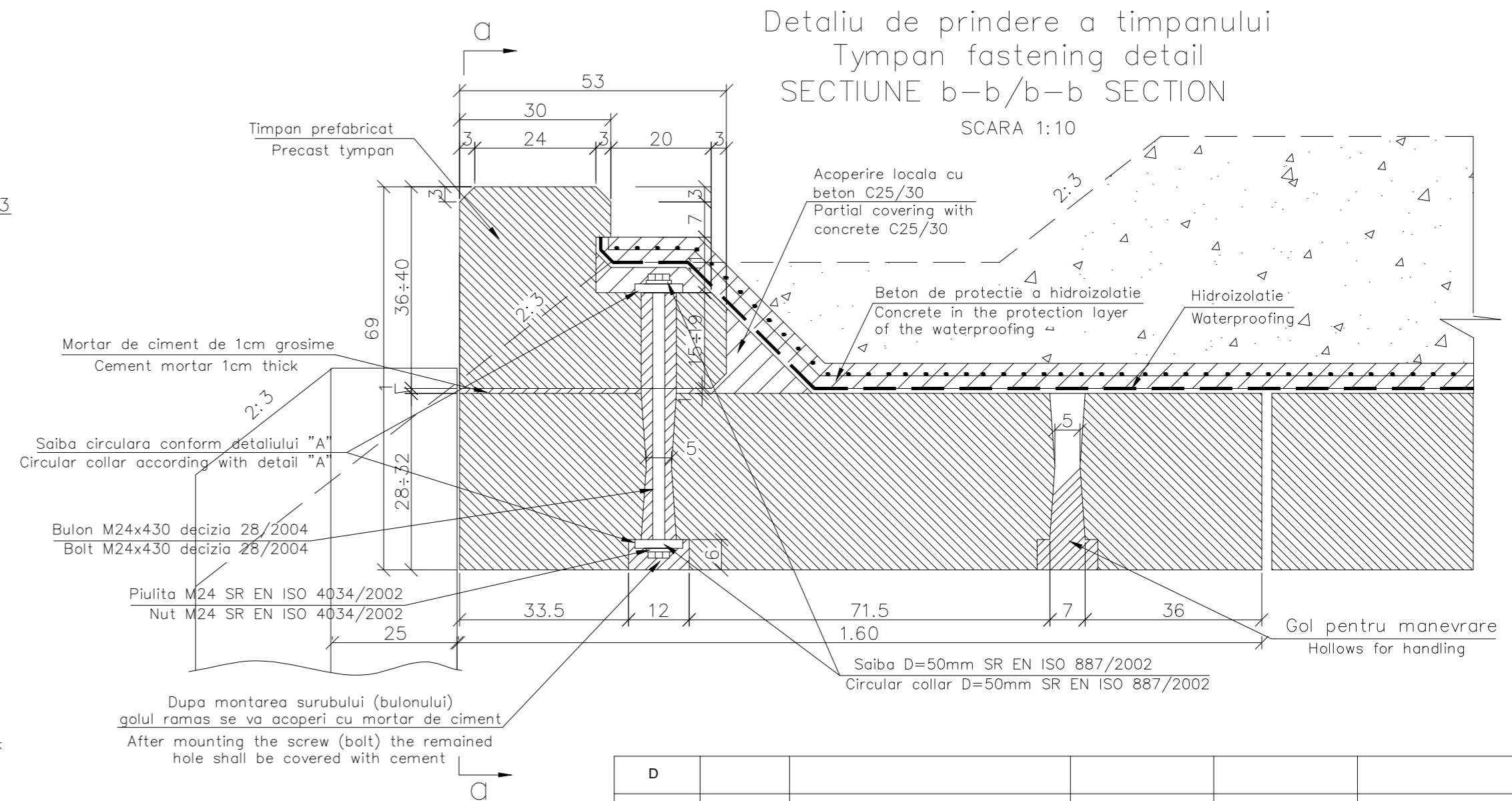
1. Prezentul plan contine planul de cofraj si de armare a timpanului prefabricat pentru tronsonul cadru prefabricat de 2.00m lumina.
2. Timpanul va fi asezat pe un strat de mortar de ciment de 1cm grosime.
3. Timpanul prefabricat se va fixa de podet cu buloane M24 de 430mm lungime.
4. Manevrarea timpanului se va face numai prin intermediul ancorelor marca ④.

NOTE

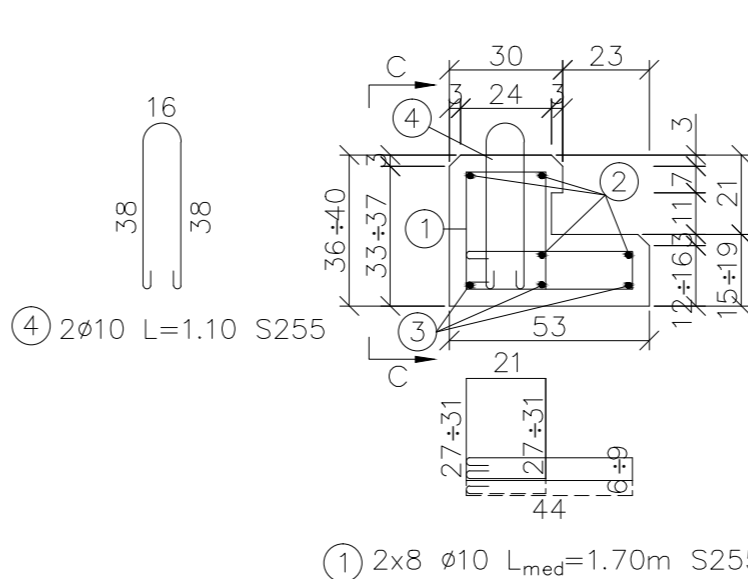
1. This drawing contains the shuttering and the reinforcing bars of the precast tympan for the precast frame section 2.00m span.
2. The tympan shall be fixed on a cement mortar layer 1 cm thick
3. The precast tympan shall be fixed on a culvert using bolts M24, 430mm length.
4. The tympan shall be handled only by anchors mark ④.

LEGENDA BETOANELOR/CONCRETE LEGEND

- Beton armat element prefabricat
Reinforcement concrete precast element
C 35/45 - CEM II A S 32.5 - (XC4+XF3+XA1)
A/C=0.50 - Dmax 22 - CI 0.20
- Beton armat pentru protectia hidroizolatiei
Reinforcement concrete in waterproofing protection layer
C 25/30 - CEM II/A - S 32.5 - (XC4+XF3)
A/C=0.50 - Dmax 16 - CI 0.20



SECTIUNE d-d
SECTION d-d



EXTRAS DE ARMATURA (S255)
NECESAR EXECUTARII UNUI TIMPAN T2
REINFORCING BAR EXTRACT (S255)
TO CARRY OUT A TYMPAN T2

Marca Mark	Ø (mm)	Lung/buc Length/pcs	buc. pcs.	Lung. totala/Total length Ø10
1	10	1.70	16	27.20
2	10	2.55	4	10.20
3	10	2.55	3	7.65
4	10	1.10	2	2.20
Lungimi/diametru (m) Length/diameter (m)				54.45
Greutate/metru (kg/m) Weight/metre (kg/m)				0.617
Greutate/diametru (kg) Weight/diameter (kg)				34.00
Greutate totala (kg) Total weight (kg)				34.00

Detaliu de prindere a timpanului
Tympan fastening detail
SECTIUNE b-b/b-b SECTION

D					
C					
B					
A	12.2011	Revizia 1	Balan Carmen		
Indice Index	Data Date	Modificare Modification/Revision	Proiectant Designer	Aprobat Consultant Approved Consultant	Aprobat CFR Approved CFR

GUVERNUL ROMANIEI ROMANIAN GOVERNMENT
PROIECT FINANȚAT DE UNIUNEA EUROPEANĂ EUROPEAN UNION FINANCED PROJECT
C.N.C.F. "C.F.R." - S.A.

CLIENT / CLIENT
ITALFERR GRUPPO FERROVIE DELLO STATO Joint Venture leader
Scott Wilson
OBERMEYER PLANEN + BERATEN GmbH
TECNIC Consulting Engineers

CONSULTANT / CONSULTANT			Data Date	Semn tur Signature
Aprobat Approved	Proiect manager	R. Liuzza		
Aprobat Approved	Section 1 Coordinator	C. Gambelli		
Verificat Checked	Expert Cheie Checking Expert	V. Kallidromitis		

SUBCONTRACTANT / SUBCONTRACTOR				
Aprobat Approved	Responsabil Subconsultant Subconsultant Responsible	A. Dinulescu Stanciu	11.2011	
Elaborat Elaborated	Proiectant Designer	Balan Carmen	11.2011	

Reabilitarea liniei de cale ferata Braşov - Sighişoara a coridorului IV Pan European, pentru circulaţia trenurilor cu viteză maximă de 160 km/h,
Tronsonul : Braşov - Sighişoara
Rehabilitation of the railway line Braşov - Simeria, component Part of the IV Pan-European Corridor, for the trains circulation with maximum speed of 160 km/h,
Section : Braşov - Sighişoara

Denumire desen / Drawing Title :
TIMPAN PREFABRICAT T2
PRECAST TYMPAN T 2
Codificare / Codification System: EA51 01 E 00 BC PO 00 0 0 0 0 10 1
Scara / Scale: 1:20; 1:10
LOT / LOT
Nr. / No: 01 / 01