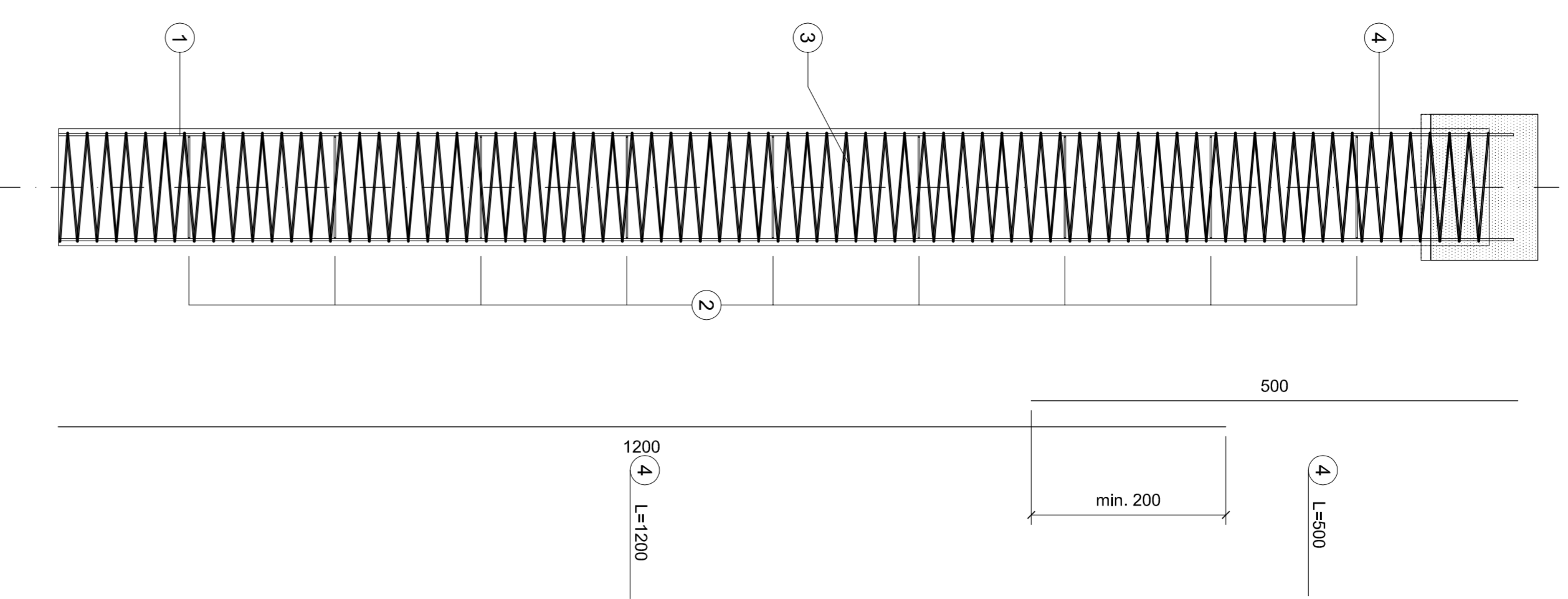
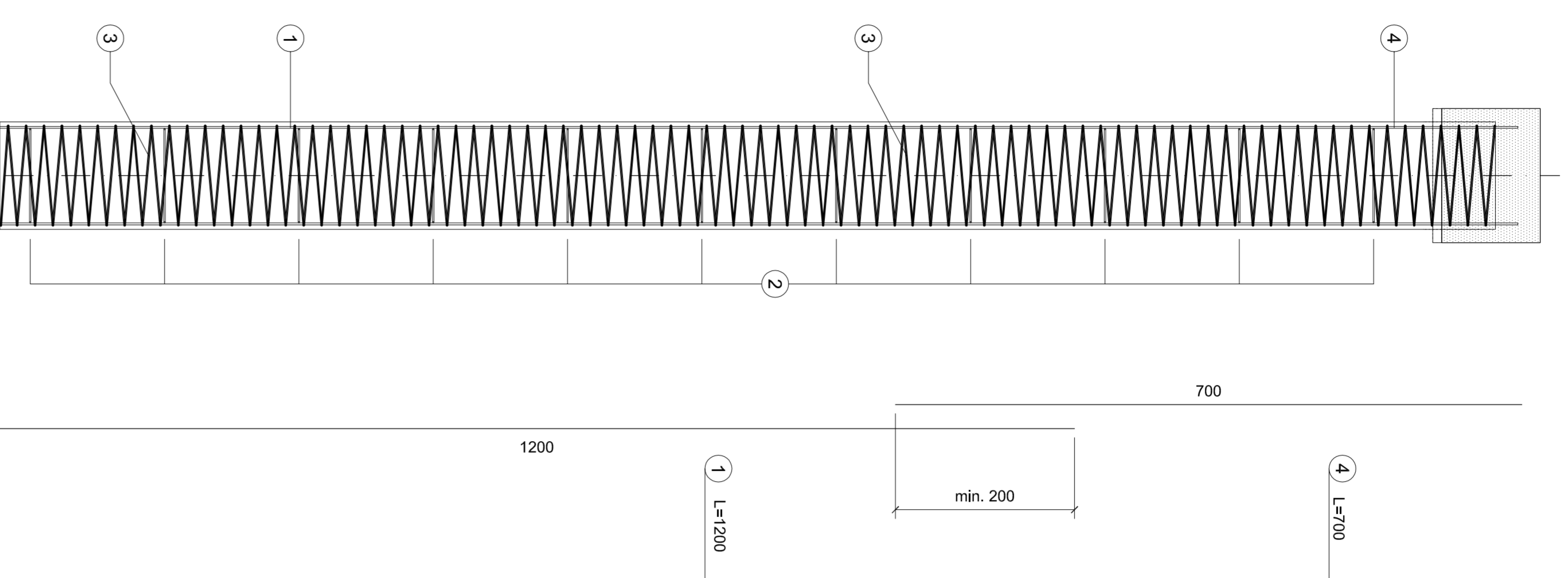


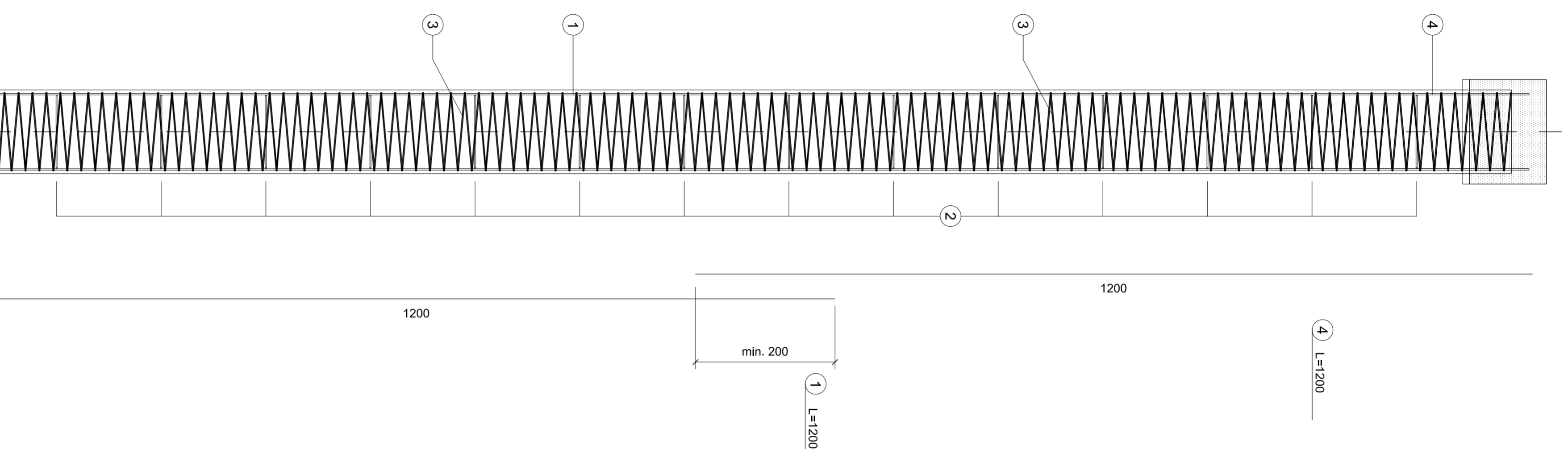
PILES WALL/PILA
Ø1200/1.30m
H=15.00m Scale/Scale 1:50



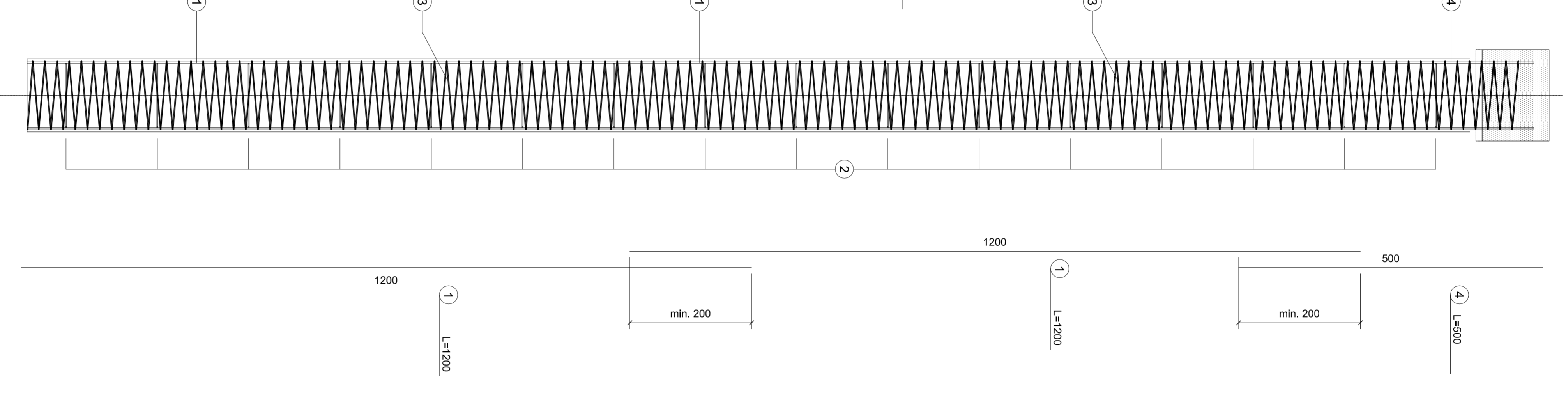
PILES WALL/PILA
Ø1200/1.30m
H=17.00m Scale/Scale 1:50



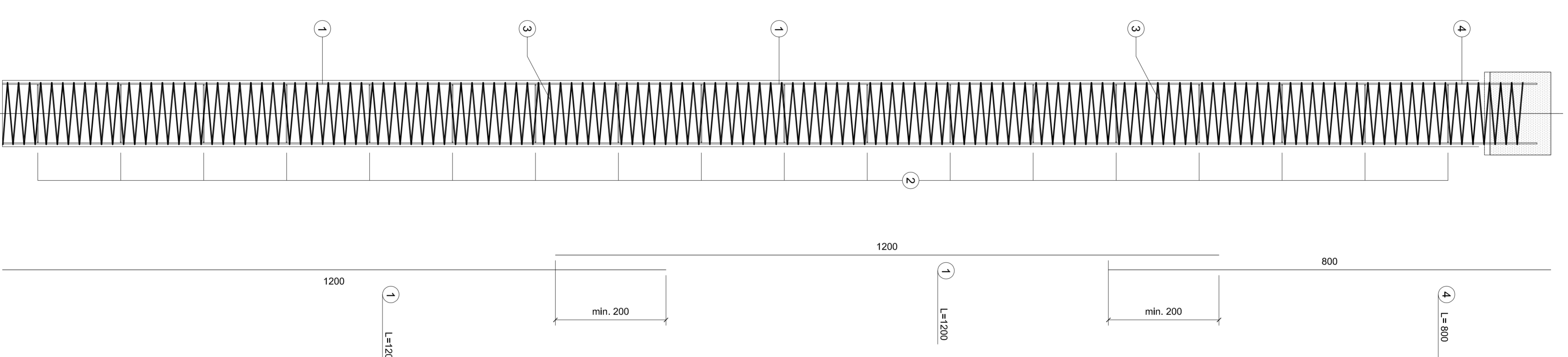
PILES WALL/PILA
Ø1200/1.30m
H=22.00m Scale/Scale 1:50



PILES WALL/PILA
Ø1200/1.30m
H=25.00m Scale/Scale 1:50



PILES WALL/PILA
Ø1200/1.30m
H=28.00m Scale/Scale 1:50



POS.	Ø [mm]	FORM	LENGHT [cm]
1	14	1200	20
2	20	345	9
3	12	348	75
4	20	500	26

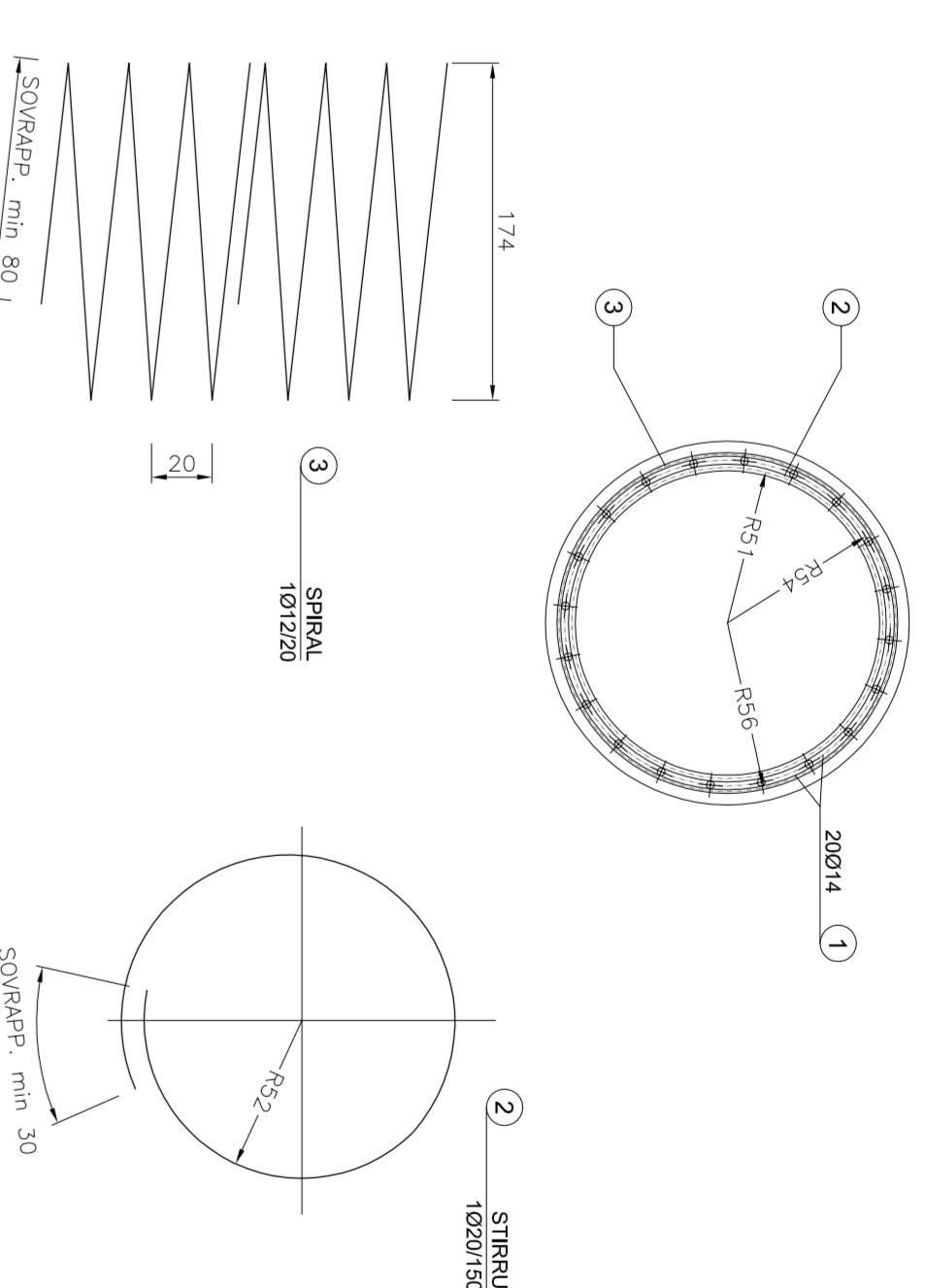
POS.	Ø [mm]	FORM	LENGHT [cm]
1	16	1200	20
2	20	345	11
3	12	348	83
4	20	700	26

POS.	Ø [mm]	FORM	LENGHT [cm]
1	20	1200	26
2	20	345	14
3	12	348	109
4	16	1200	20

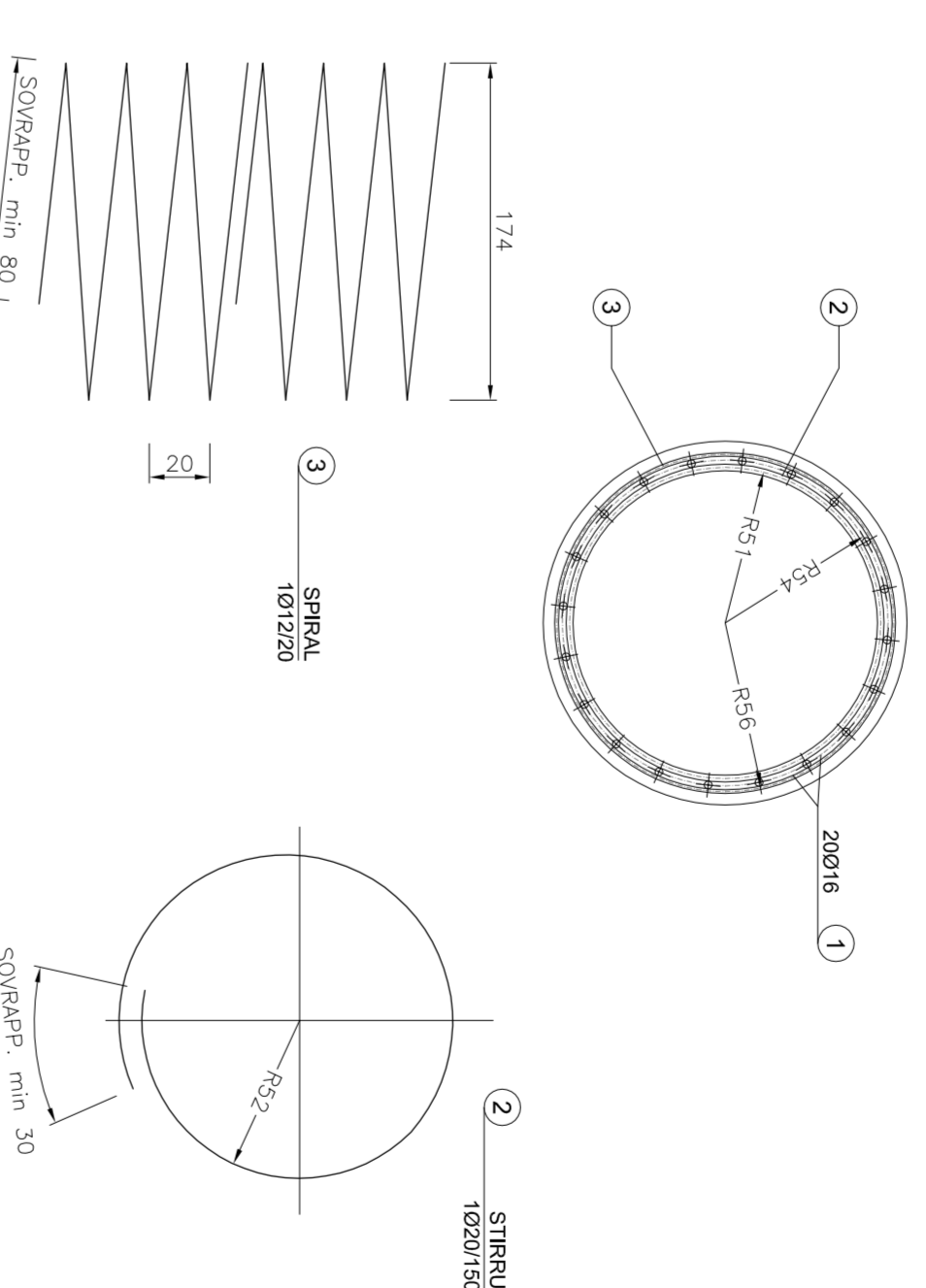
POS.	Ø [mm]	FORM	LENGHT [cm]
1	26	1200	30
2	20	345	16
3	12	348	122
4	26	510	35

POS.	Ø [mm]	FORM	LENGHT [cm]
1	26	1200	35
2	20	345	18
3	14	348	137
4	26	800	35

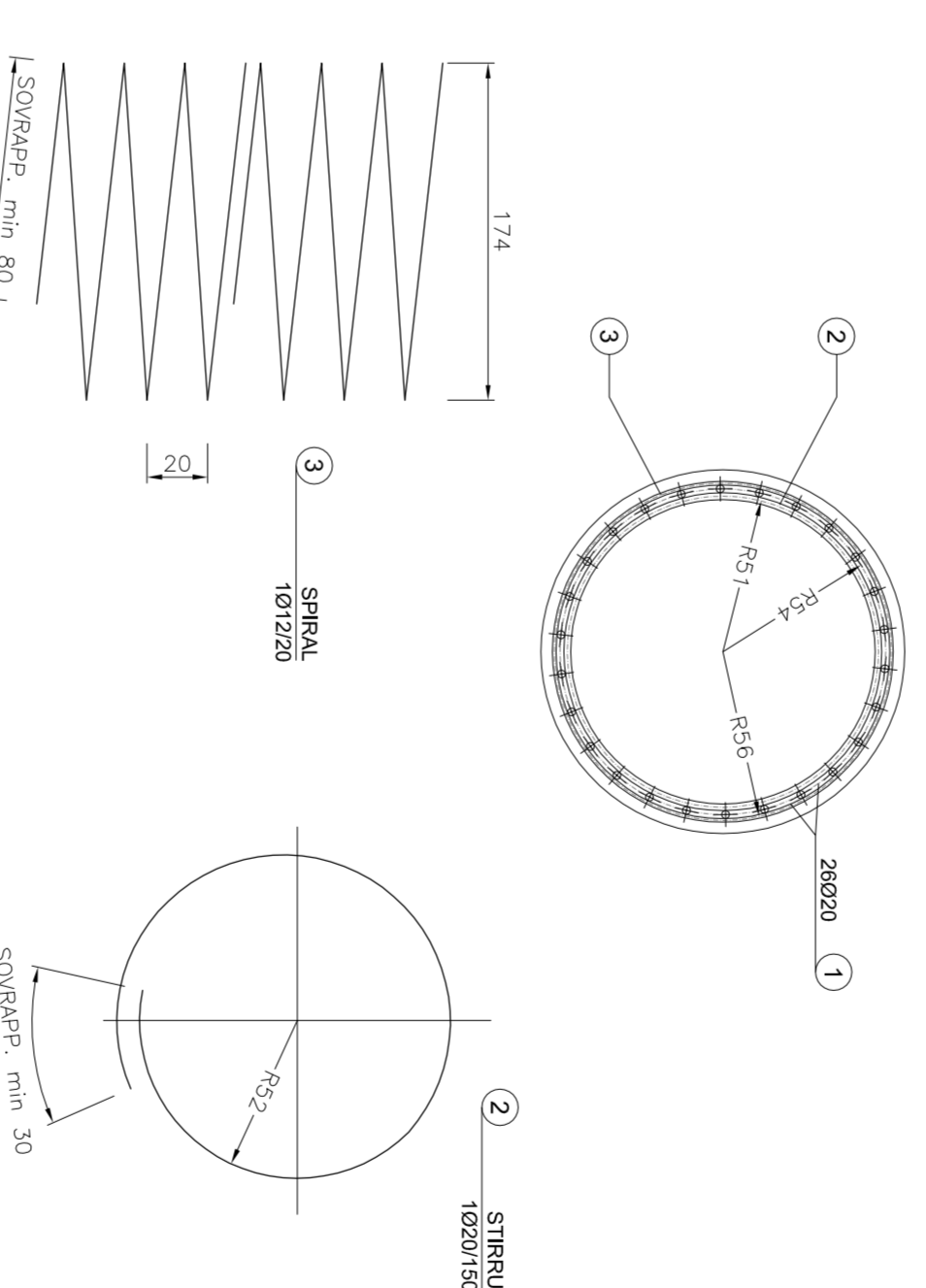
PILES WALL/PILA Ø1200/1.30m
H=15.00m



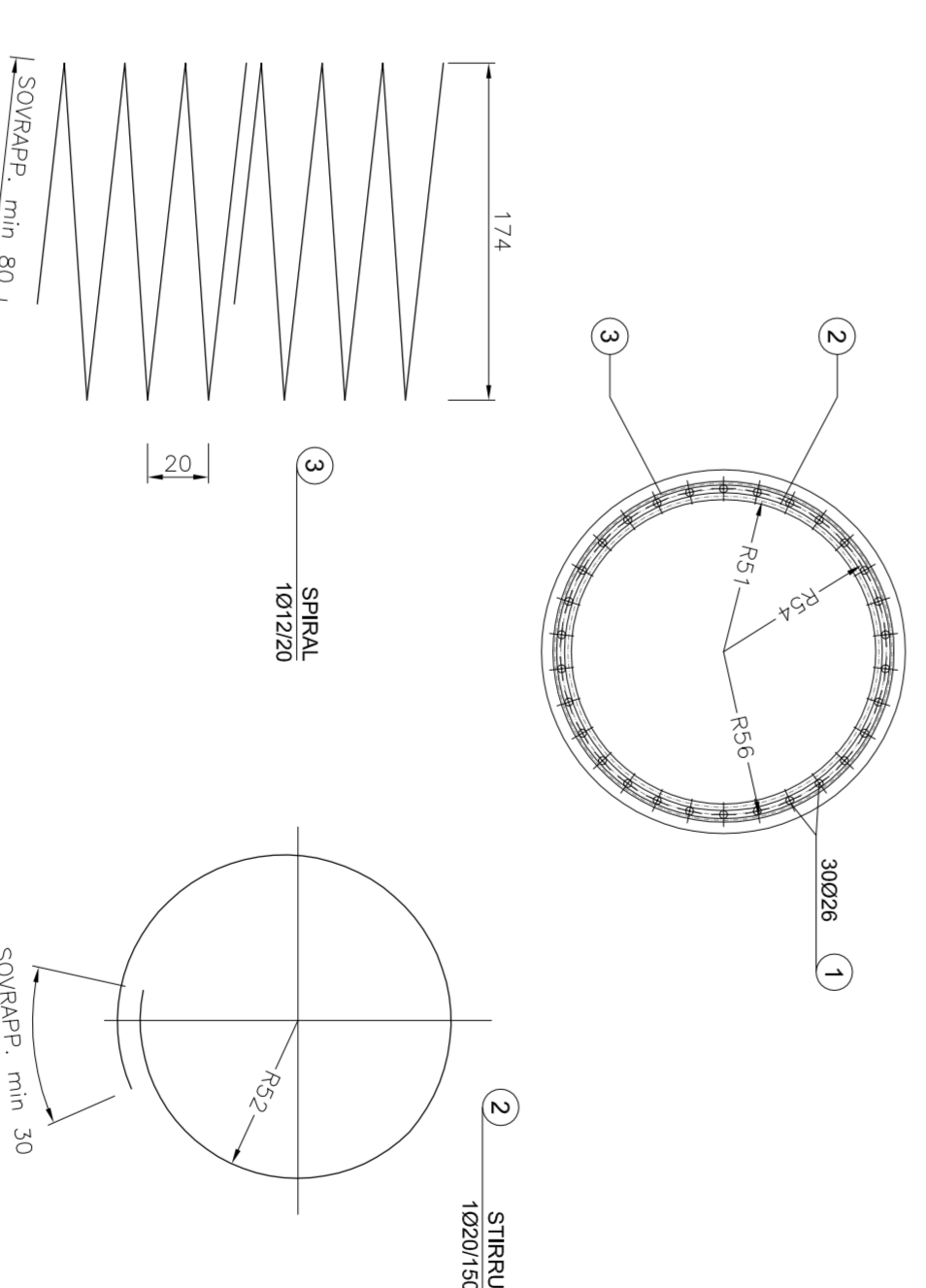
PILES WALL/PILA Ø1200/1.30m
H=17.00m



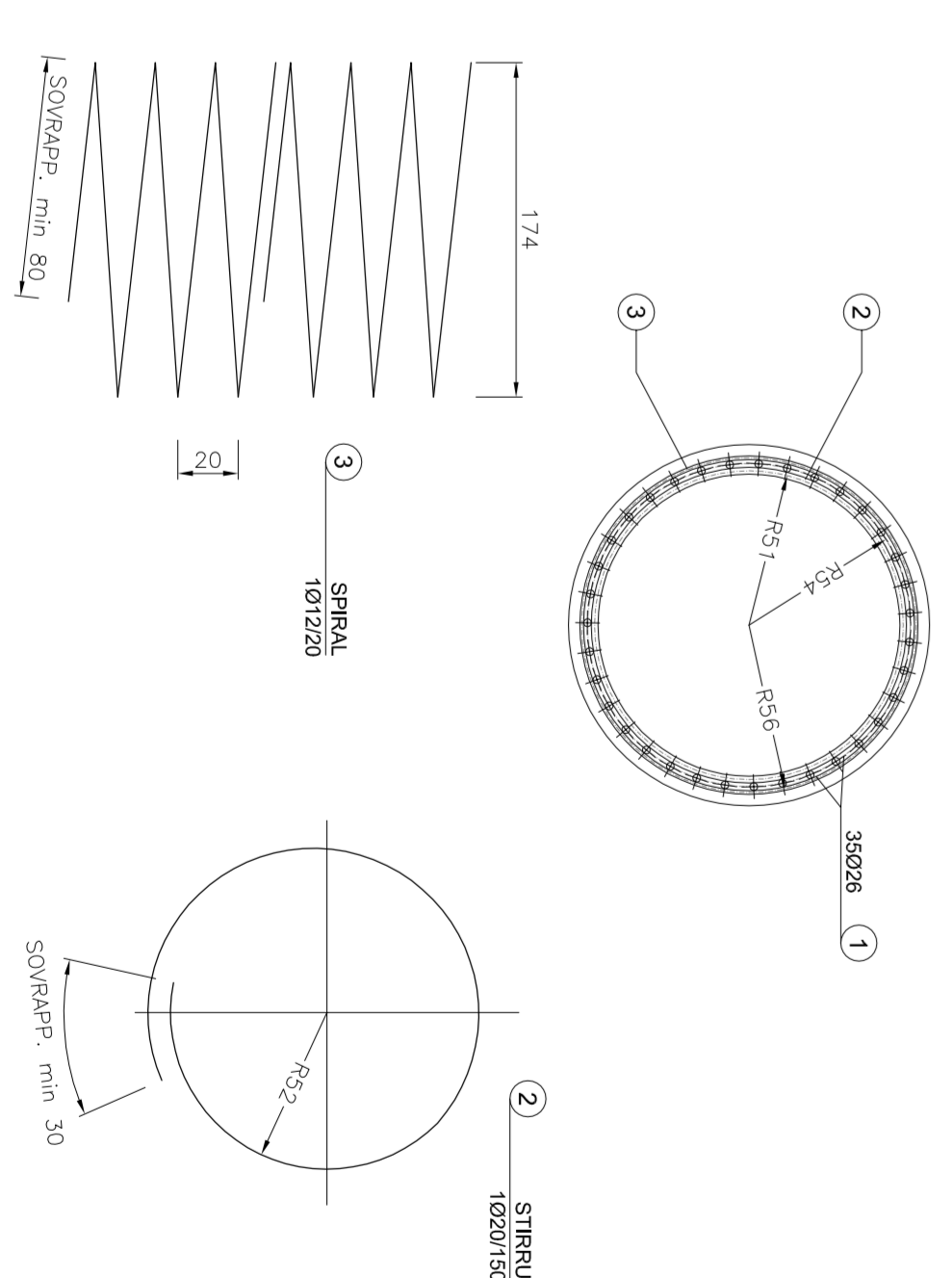
PILES WALL/PILA Ø1200/1.30m
H=22.00m



PILES WALL/PILA Ø1200/1.30m
H=25.00m



PILES WALL/PILA Ø1200/1.30m
H=28.00m



STEELS TABLE

Legend measures:

- B50C (weibull)
 - Binding diameter d_{br} :
 * Bar $< \phi 20 \rightarrow d_{br} = 6\phi$
 * Bar $\phi 20 - \phi 28 \rightarrow d_{br} = 8\phi$

WATERBILT TABLE

CONCRETE FILE:

- Type H2
- $f_{ck} > 25$ MPa, min. < 31.50
- Minimum structural Class S4/S5
- Minimum structural Class S4/S5
- Cement type CEJ V/V
- ρ max aggregate = 22.4 mm
- ρ max aggregate = 22.4 mm

CONCRETE CLASS:

- Type H2, S4, S5
- Water/cement ratio < 0.50
- Minimum structural Class S4/S5
- Class of concrete content C 0.20
- ρ max aggregate = 22.4 mm

REINFORCING STEEL:

- Fabricated controlled by establishment
- PRECAST CONCRETE
- Type H2, S4, S5
- $f_{ck} > 25$ MPa
- Cement type CEJ V/V

CONCRETE FILE:

- Type H2
- $f_{ck} > 25$ MPa, min. < 31.50
- Minimum structural Class S4/S5
- Minimum structural Class S4/S5
- Cement type CEJ V/V
- ρ max aggregate = 22.4 mm
- ρ max aggregate = 22.4 mm

CONCRETE CLASS:

- Type H2, S4, S5
- Water/cement ratio < 0.50
- Minimum structural Class S4/S5
- Class of concrete content C 0.20
- ρ max aggregate = 22.4 mm

REINFORCING STEEL:

- Fabricated controlled by establishment
- PRECAST CONCRETE
- Type H2, S4, S5
- $f_{ck} > 25$ MPa
- Cement type CEJ V/V

INDEX	DATA	MODIFICATIA	PROIECTANT	APROBAT	APROBAT
A	DATE	Modificarea	Proiectant	Proiectant	Proiectant
B	DATE	Modificarea	Proiectant	Proiectant	Proiectant
C	DATE	Modificarea	Proiectant	Proiectant	Proiectant
D	DATE	Modificarea	Proiectant	Proiectant	Proiectant

CLIENT / CLIENT

GUVERNUL ROMANIEI
ROMANIAN GOVERNMENT

PROIECT FINANȚAT DE UNIUNEA EUROPEANA
EUROPEAN UNION FINANCED PROJECT

CLIENT / CLIENT

CFR
C.N.C.F. "C.F.R." S.A.

CONSULTANT / CONSULTANT

Approved	Author	Date	Signature
Approved	Section 1 Coordinator	C.Gambelli	
Checked	Team Leader	C.Gambelli	
Elaborated	Designer	C.Gambelli	

SUBCONSULTANT / SUBCONSULTANT

Approved	Author	Date	Signature
Approved	Section 1 Coordinator	C.Gambelli	
Checked	Team Leader	C.Gambelli	
Elaborated	Designer	C.Gambelli	

Redistribuirea laudelor este strict interzisă. Simbolică, pentru componenta a condițională
IV part European part. Simbolică, pentru componenta a condițională
Redistribution of the laudelor is strictly interzisă. Simbolică, pentru componenta a condițională
IV part European part. Simbolică, pentru componenta a condițională

Par-European Consider for the laudelor with maximum speed of 160 km/h.
Section 1 Editor - Săgăroaia

Denunțarea desenului / Drawing Title : **HOMOROD TUNEL**

Tunelul este executat pe ocașă de beton. Reinforcement
Piles din beton a peretelui de la intrarea în tunel. Amplasul

Configurare / Configuration System

Configurare / Configuration System	Starea / Status	Verificat / Verified	LOT	Nr. / No	
E	A	1	0	1	0
C	1	2	B	Z	G
A	1	0	1	2	0
0	0	0	0	0	0
0	0	0	0	0	0