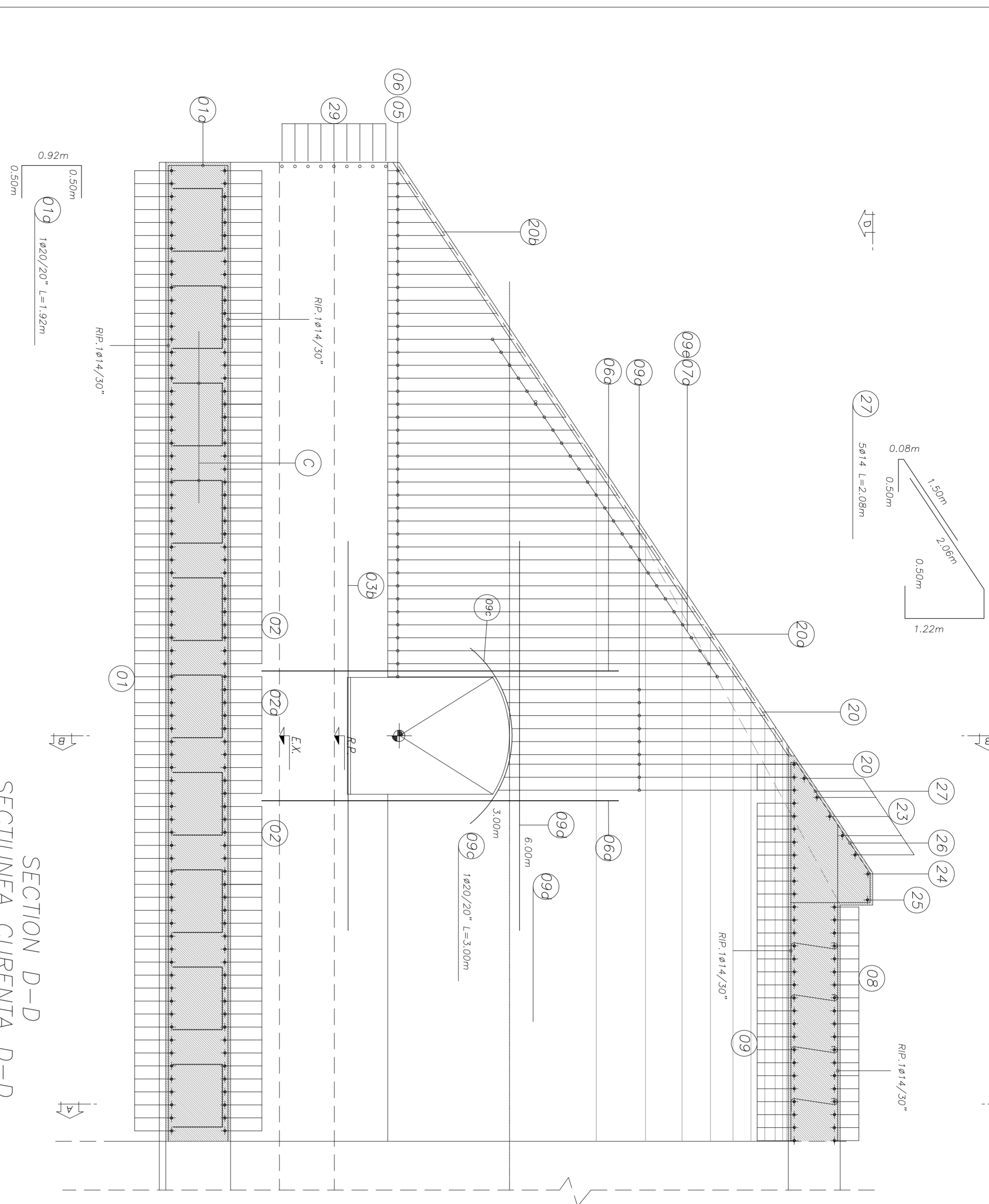
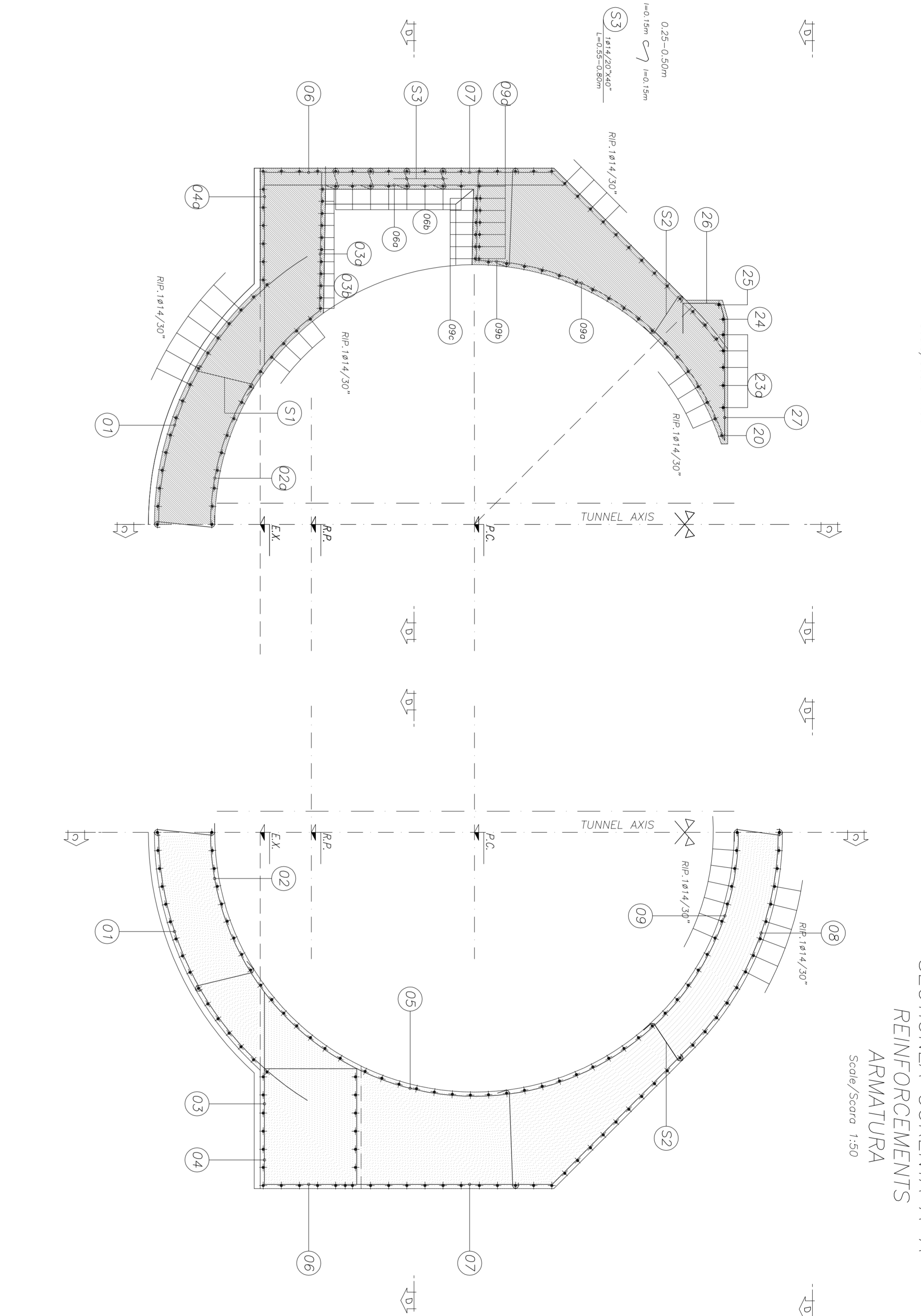


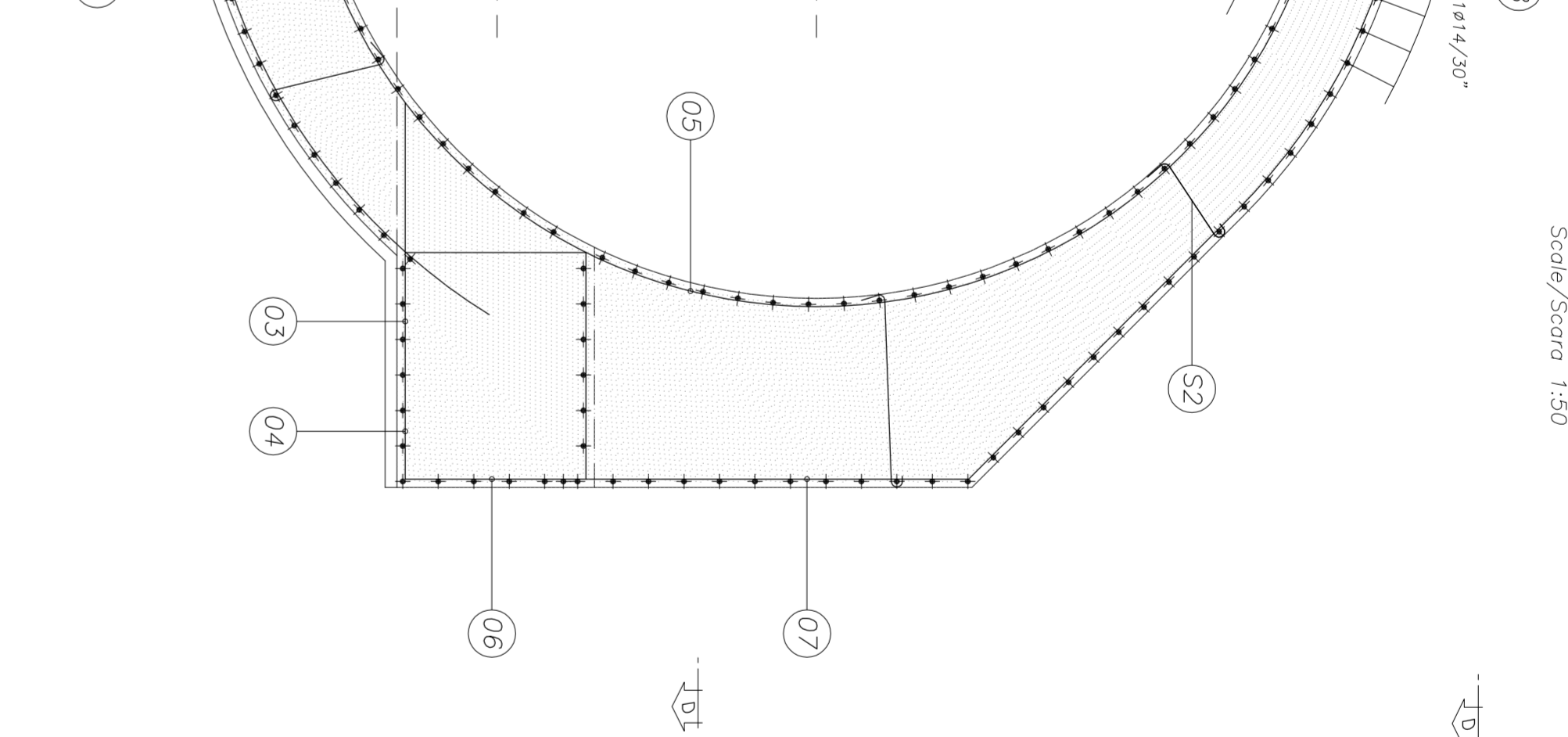
SECTION C-C  
SECTIONEA CURENTA C-C  
Scale/Scara 1:50



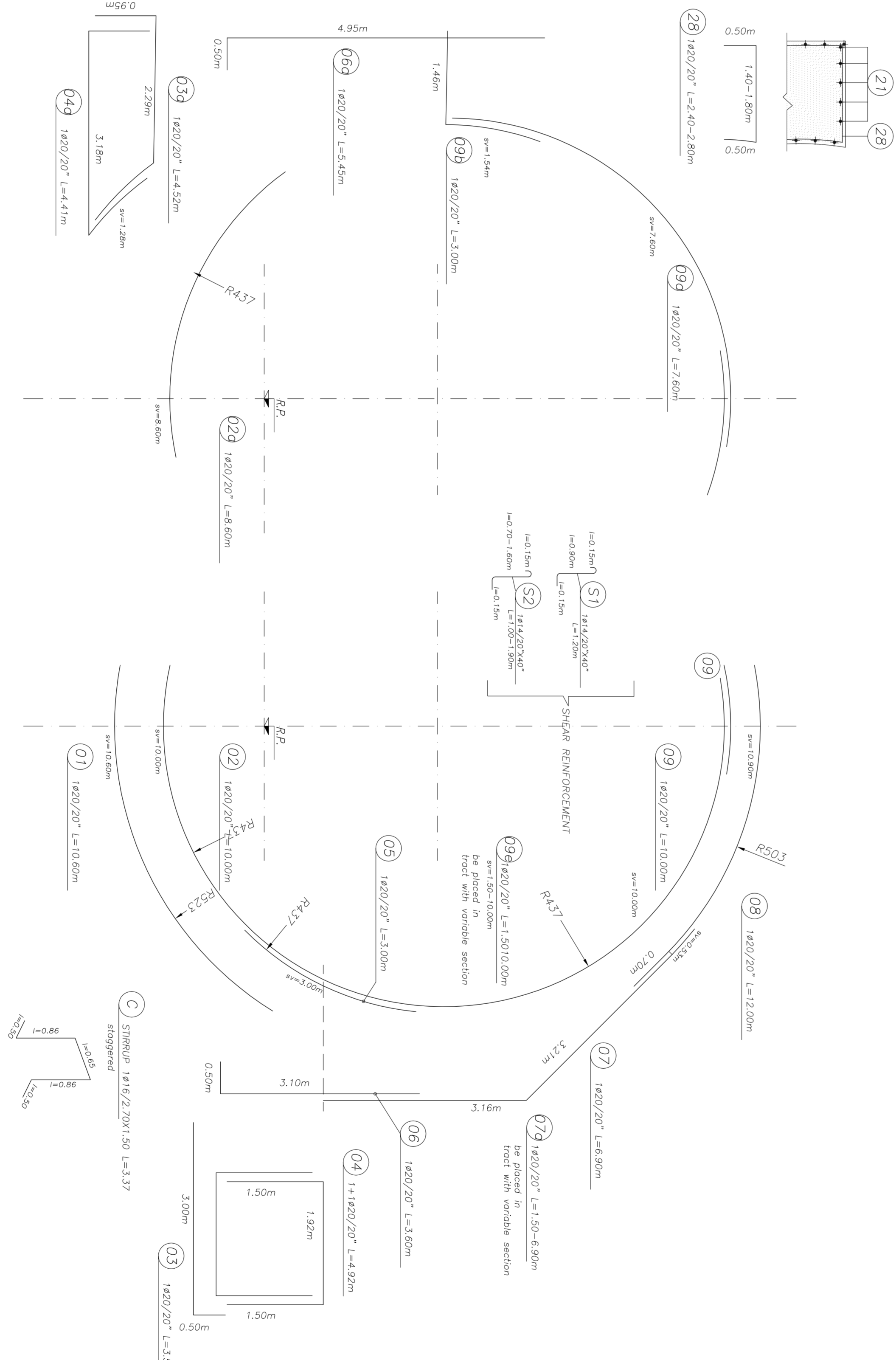
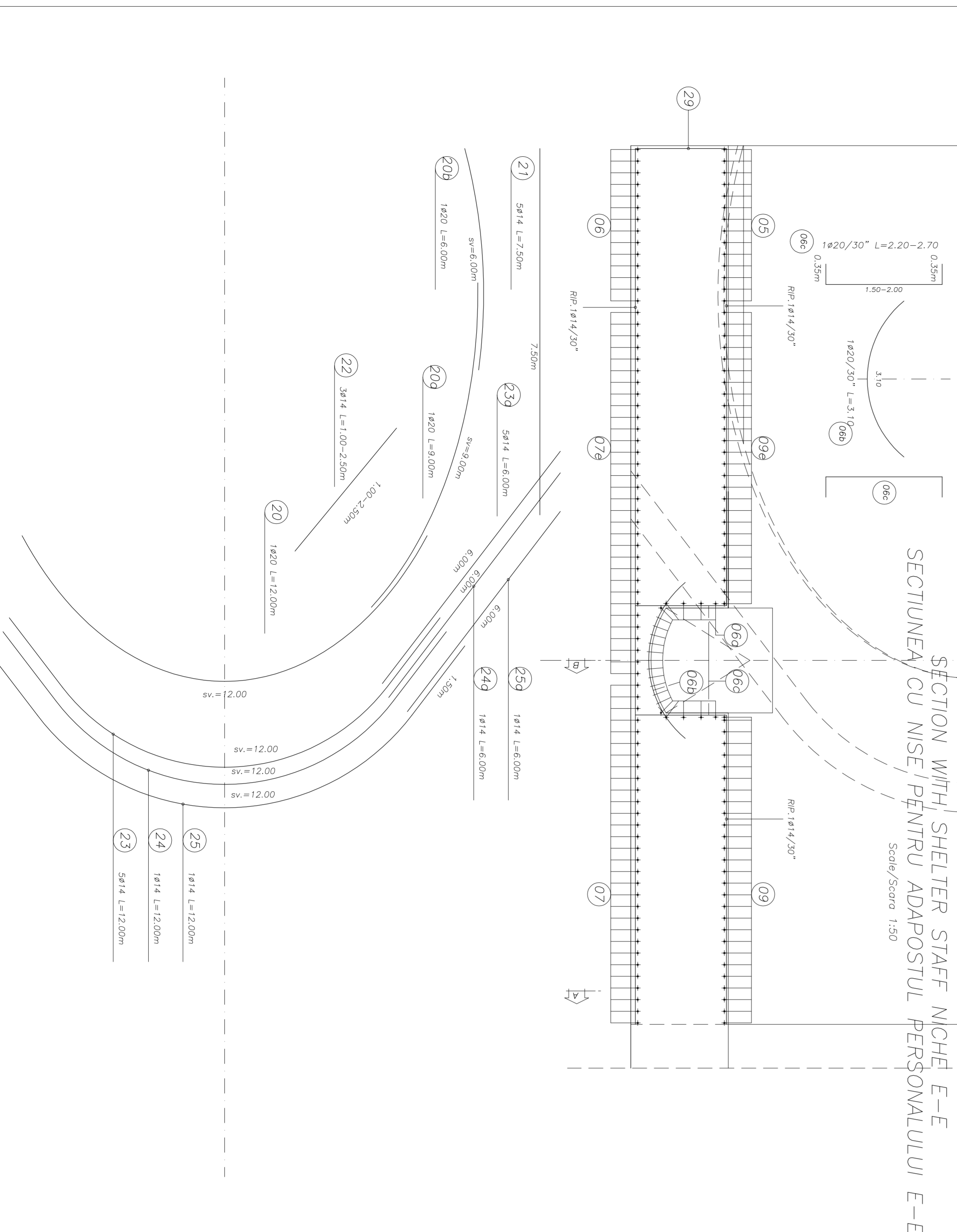
SECTION WITH SHELTER STAFF NICHE B-B  
SECTIONEA CU NISE PENTRU ADAPOSTUL PERSONALULUI B-B  
Scale/Scara 1:50



CURRENT SECTION A-A  
SECTIONEA CURENTA A-A  
REINFORCEMENTS  
ARMATURĂ  
Scale/Scara 1:50



SECTION WITH SHELTER STAFF NICHE E-E  
SECTIONEA CU NISE PENTRU ADAPOSTUL PERSONALULUI E-E  
Scale/Scara 1:50



STEELS TABLE

REINFORCING STEEL:  
- B450C (smooth)  
Bending diameter  $R_{sp}$ :  
# Bar < 400  $\rightarrow R_{sp} = 6d$   
# Bar 403-456  $\rightarrow R_{sp} = 8d$

Legend measures:

MATERIAL TABLE

TUNNEL INNER CONCRETE:  
- Type C 20 UHS  
- Water/Cement ratio <math>< 0.50 </math>  
- Max aggregate <math>< 5 \text{ mm}</math>  
- Exposure class related to environmental conditions: XZ2  
- Concrete type CEJ I/V  
- Concrete type CEJ I/V  
- # max aggregate = 50 mm

TUNNEL COREM CONCRETE:  
- Type C 20 UHS  
- Water/Cement ratio <math>< 0.50 </math>  
- Max aggregate <math>< 5 \text{ mm}</math>  
- Exposure class related to environmental conditions: XZ2  
- Concrete type CEJ I/V  
- Concrete type CEJ I/V  
- # max aggregate = 50 mm

REINFORCING STEEL:  
- B450C certified by establishment  
- B450C  
- B450C  
- B450C  
- B450C  
- B450C

BAR LAP CONNECTIONS:  
- Type 1  
- Type 2 UHS  
- Concrete type CEJ I/V

LEGEND

BP = REFERENCE PLANE  
EX = EXCAVATION PLANE  
PC = CENTERS PLANE

O	Index	Modificatii	Trasatura	Acordat Consultant	Acordat CR
	Label	Data	Modificati	Acordat Consultant	Acordat CR
A	Index	Modificatii	Trasatura	Acordat Consultant	Acordat CR
	Label	Data	Modificati	Acordat Consultant	Acordat CR

CLIENT / CLIENT: GUVERNUL ROMÂNIEI  
ROMANIAN GOVERNMENT  
PROIECT FINANȚAT DE UNIUNEA EUROPEANĂ  
EUROPEAN UNION FINANCED PROJECT

C.N.C.F. "C.F.R." - S.A.

CONSULTANT / CONSULTANT	RESPONSIBLE	DATE	SIGNATURE
Structural Engineer	R. Iuzza		
Architect	C. Gambelli		
Contractor	C. Gambelli		
Specialist	C. Gambelli		
Checked	C. Gambelli		
Drawn	C. Gambelli		

Denumire desen / Drawing Title:			ENTRANCE TUNNEL			
Tunel intrare pontal. Reinforcement			Pond / Phase			
Faza / Phase:			P.T.H. / T.D.			
Scale/Scara:			1:50			
Author:			C.N.C.F. "C.F.R." - S.A.			
Project/Client:			EUROPEAN UNION FINANCED PROJECT			