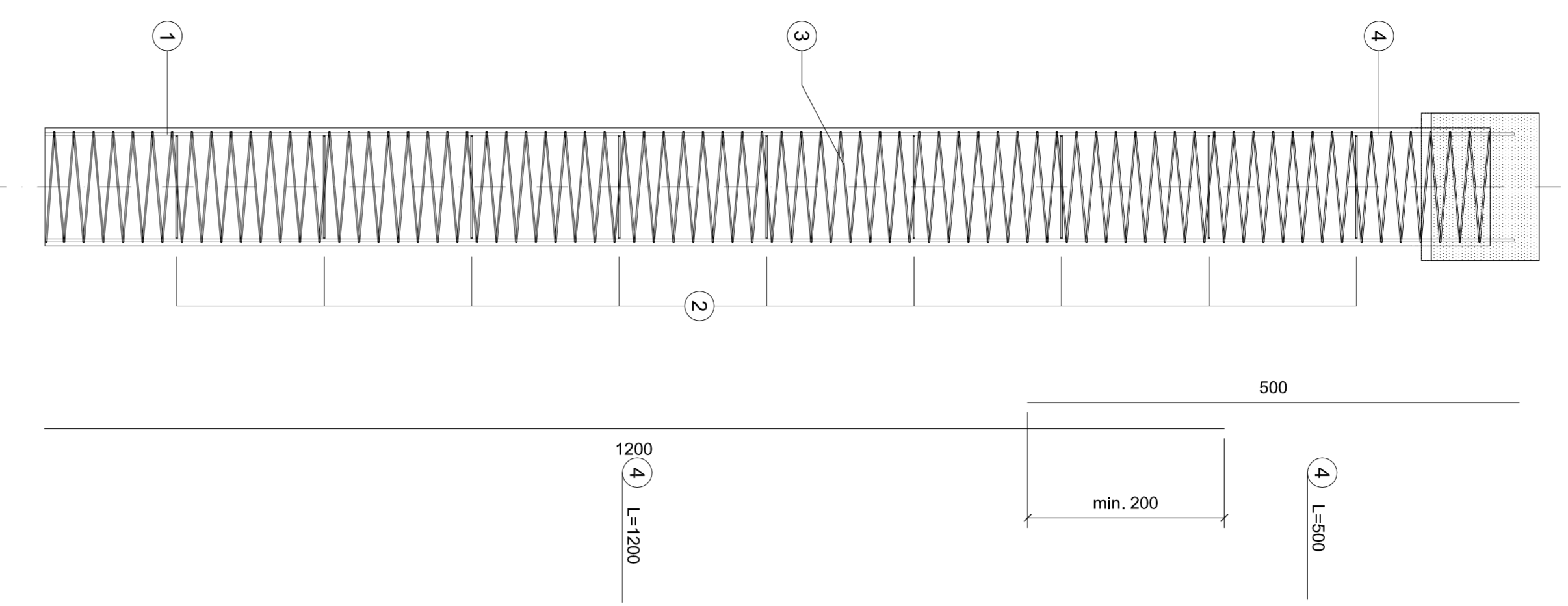
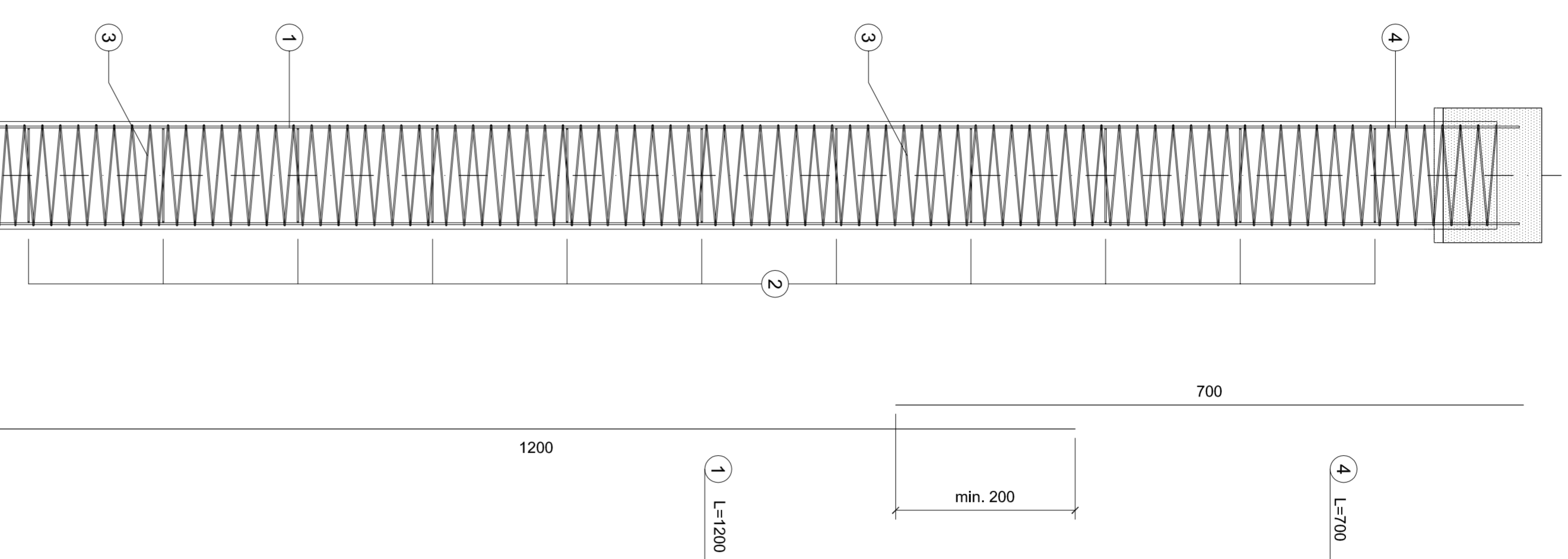


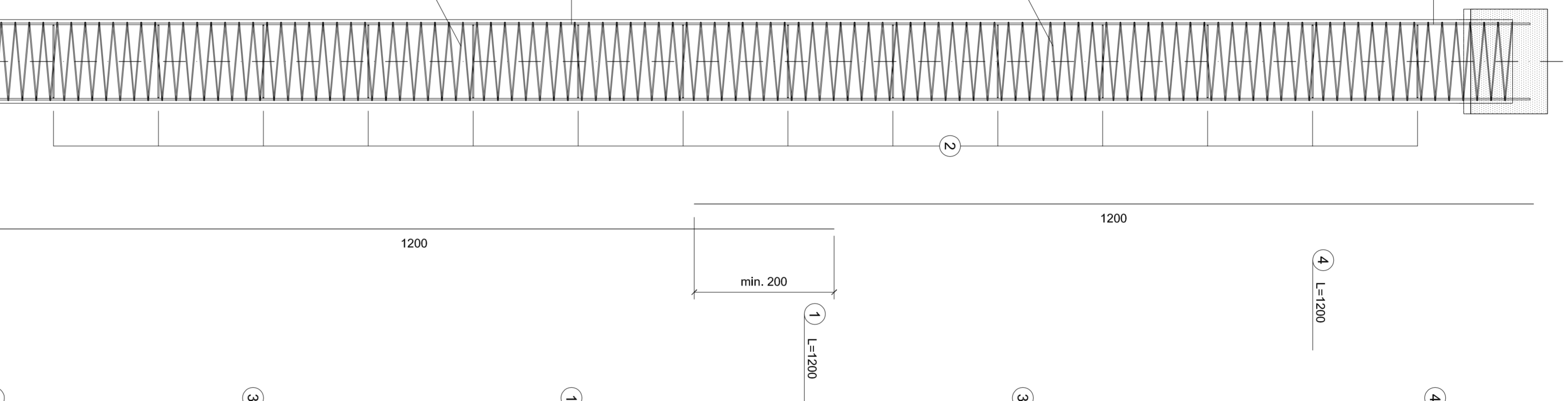
PILES WALL/PILA
 $\varnothing 1200/1.30m$
H=15.00m Scale/Scale 1:50



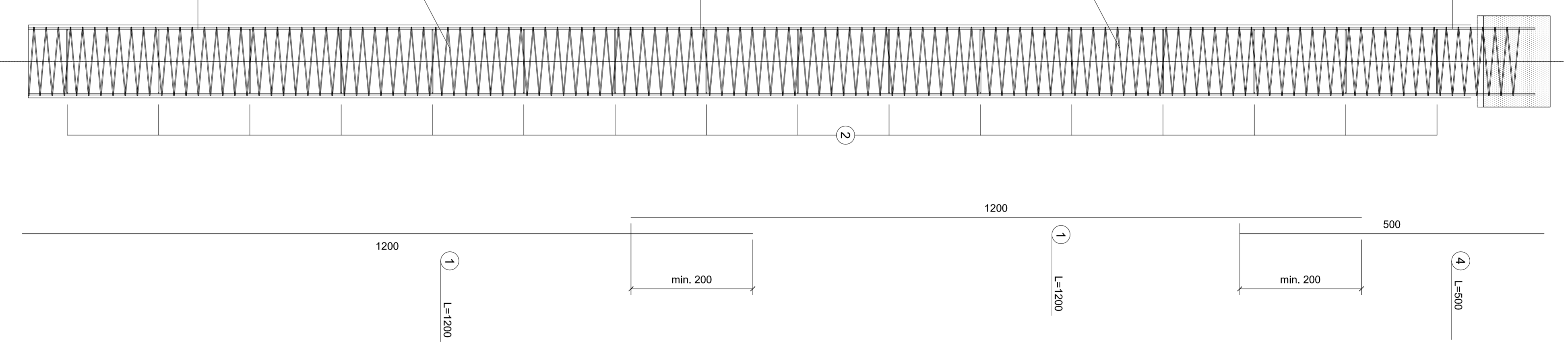
PILES WALL/PILA
 $\varnothing 1200/1.30m$
H=17.00m Scale/Scale 1:50



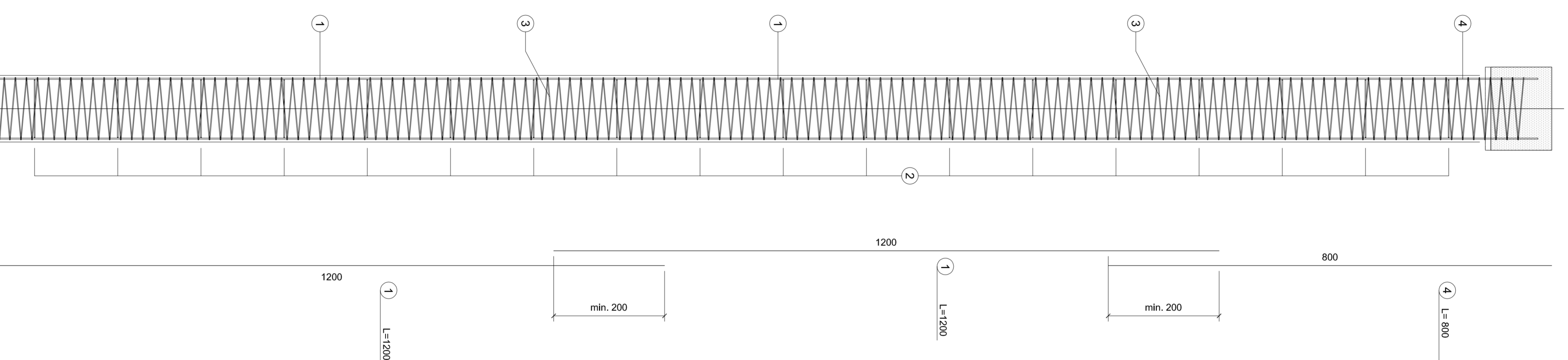
PILES WALL/PILA
 $\varnothing 1200/1.30m$
H=22.00m Scale/Scale 1:50



PILES WALL/PILA
 $\varnothing 1200/1.30m$
H=25.00m Scale/Scale 1:50



PILES WALL/PILA
 $\varnothing 1200/1.30m$
H=28.00m Scale/Scale 1:50



POS.	\varnothing [cm]	FORM	LENIGHT [cm]
1	14	1800	1200 20
2	20	1500	345 9
3	12	200	348 75
4	20	1200/1800	500 26

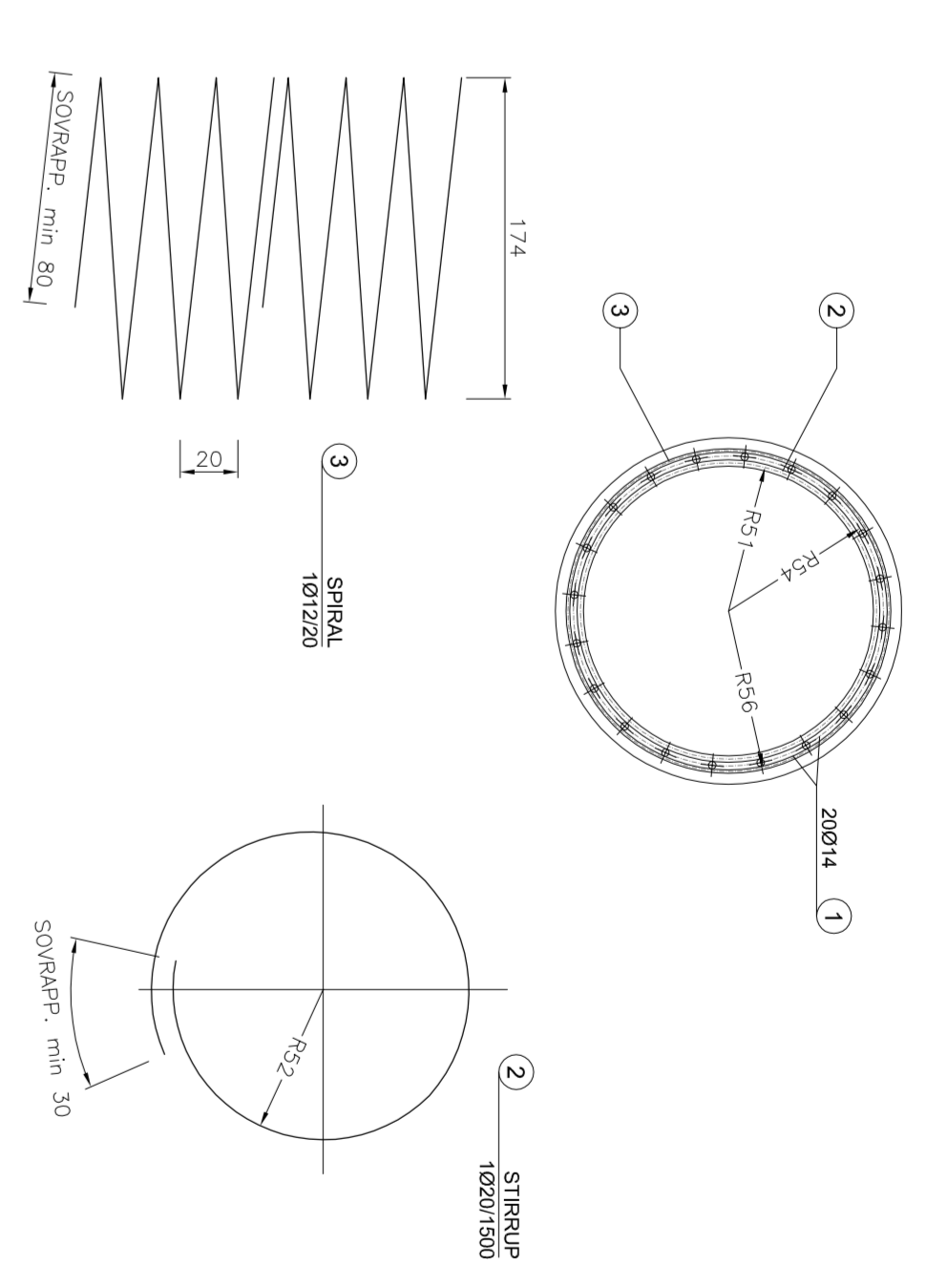
POS.	\varnothing [cm]	FORM	LENIGHT [cm]
1	16	1800	1200 20
2	20	1500	346 11
3	12	200	348 83
4	20	1200/1800	700 26

POS.	\varnothing [cm]	FORM	LENIGHT [cm]
1	20	1800	1200 26
2	20	1500	345 14
3	12	200	348 109
4	16	1200/1800	1200 20

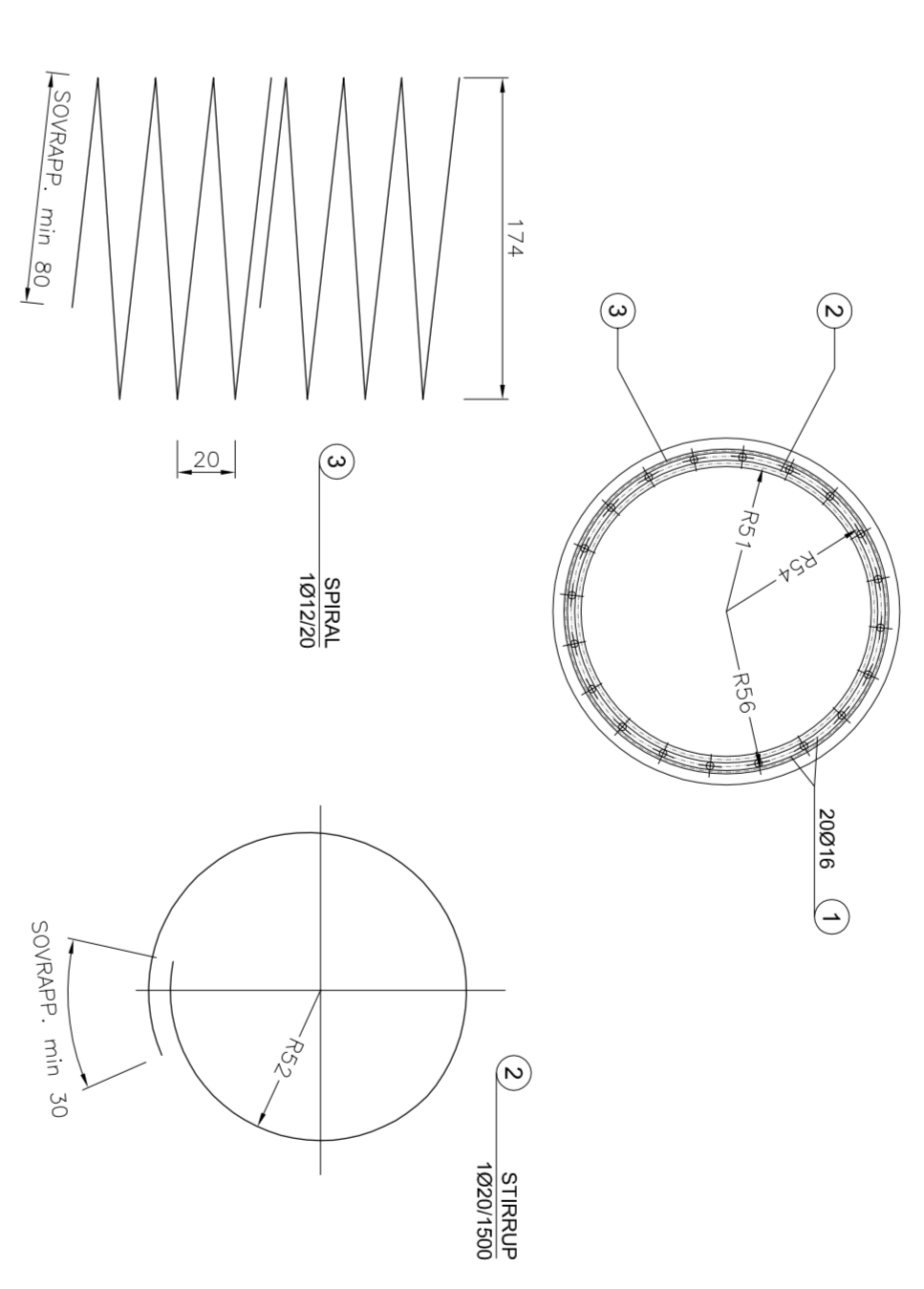
POS.	\varnothing [cm]	FORM	LENIGHT [cm]
1	26	1800	1200 30
2	20	1500	345 16
3	12	200	348 122
4	26	1200/1800	510 35

POS.	\varnothing [cm]	FORM	LENIGHT [cm]
1	26	1800	1200 35
2	20	1500	345 18
3	14	200	348 137
4	26	1200/1800	800 35

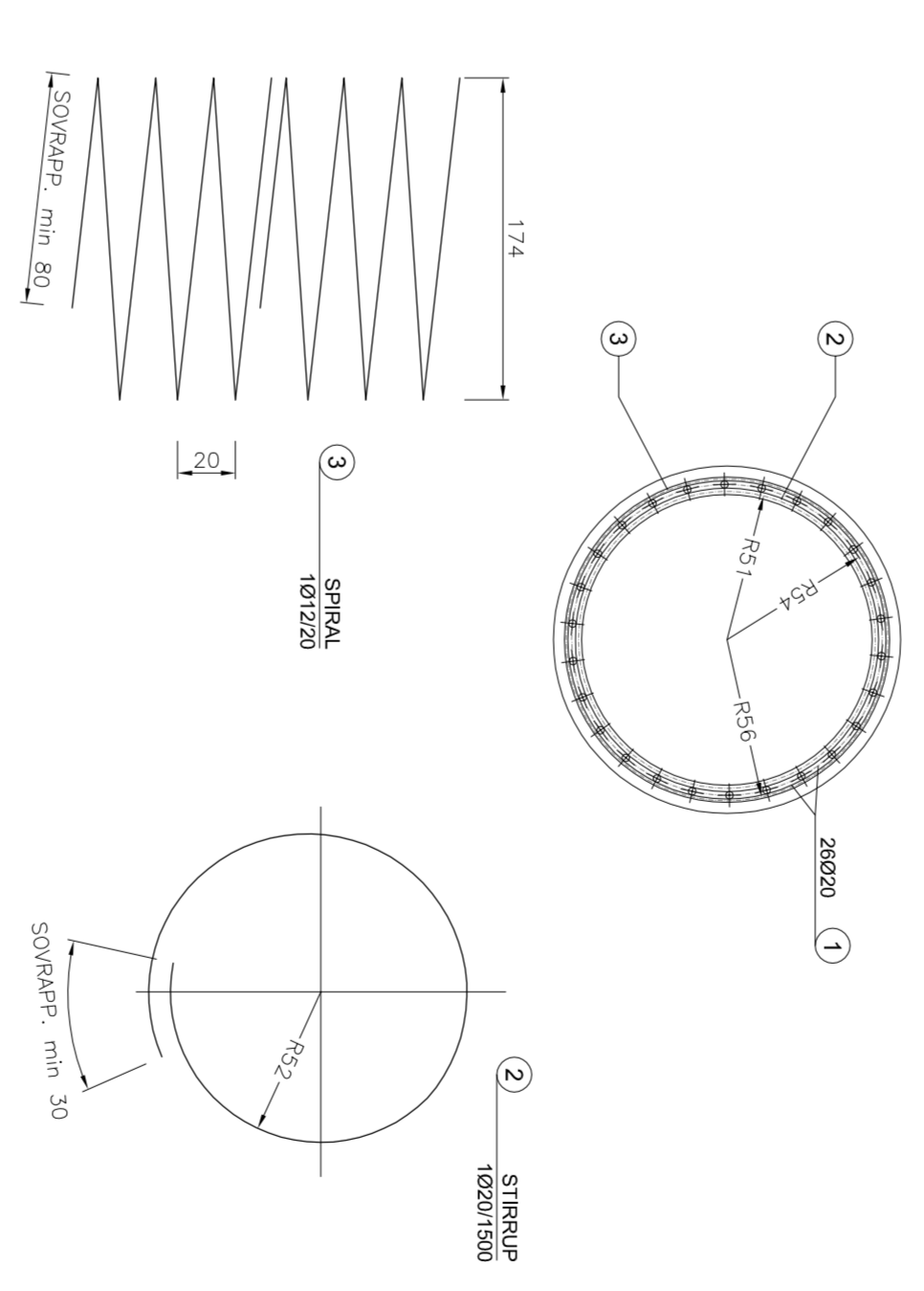
PILES WALL/PILA $\varnothing 1200/1.30m$
H=15.00m



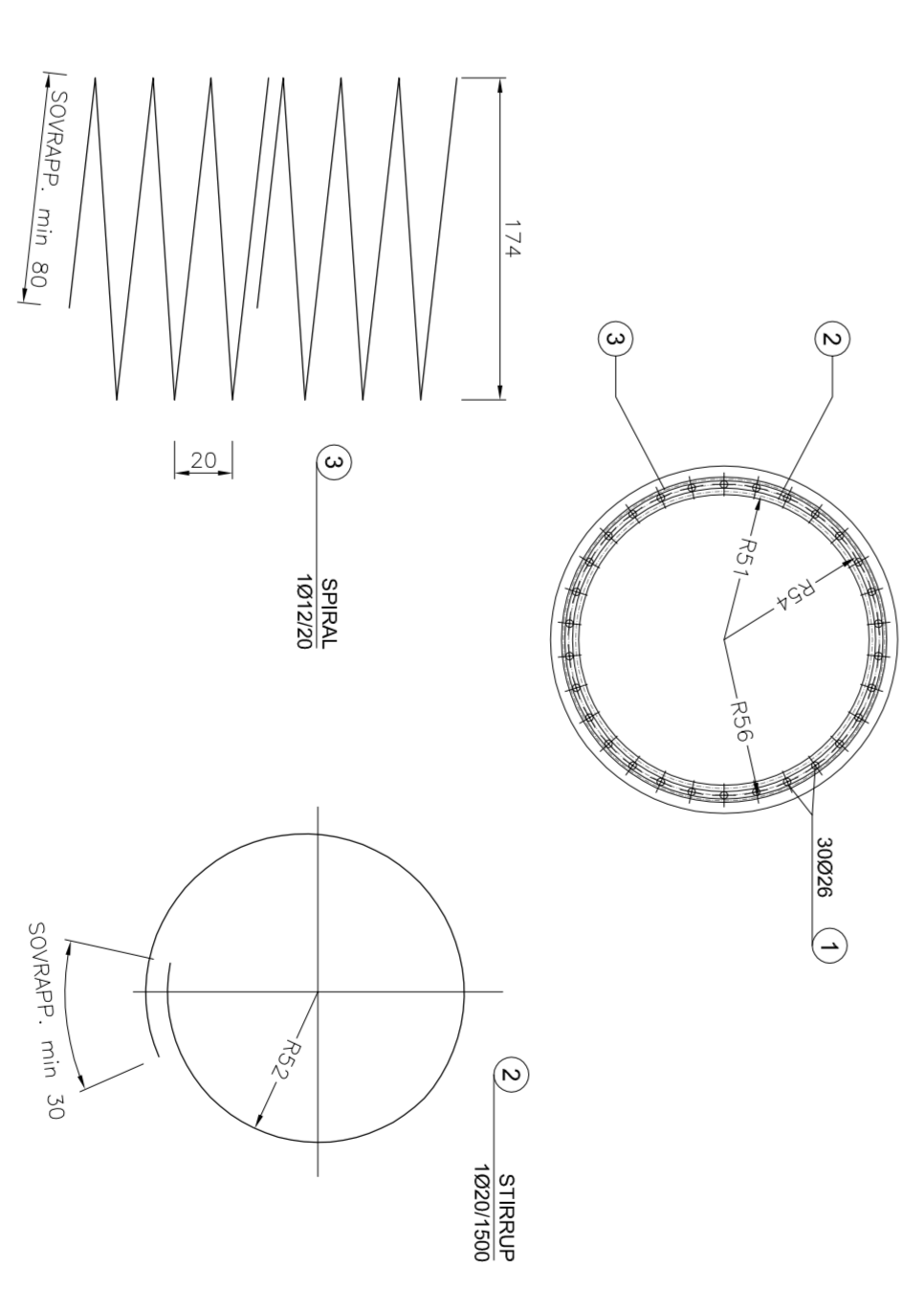
PILES WALL/PILA $\varnothing 1200/1.30m$
H=17.00m



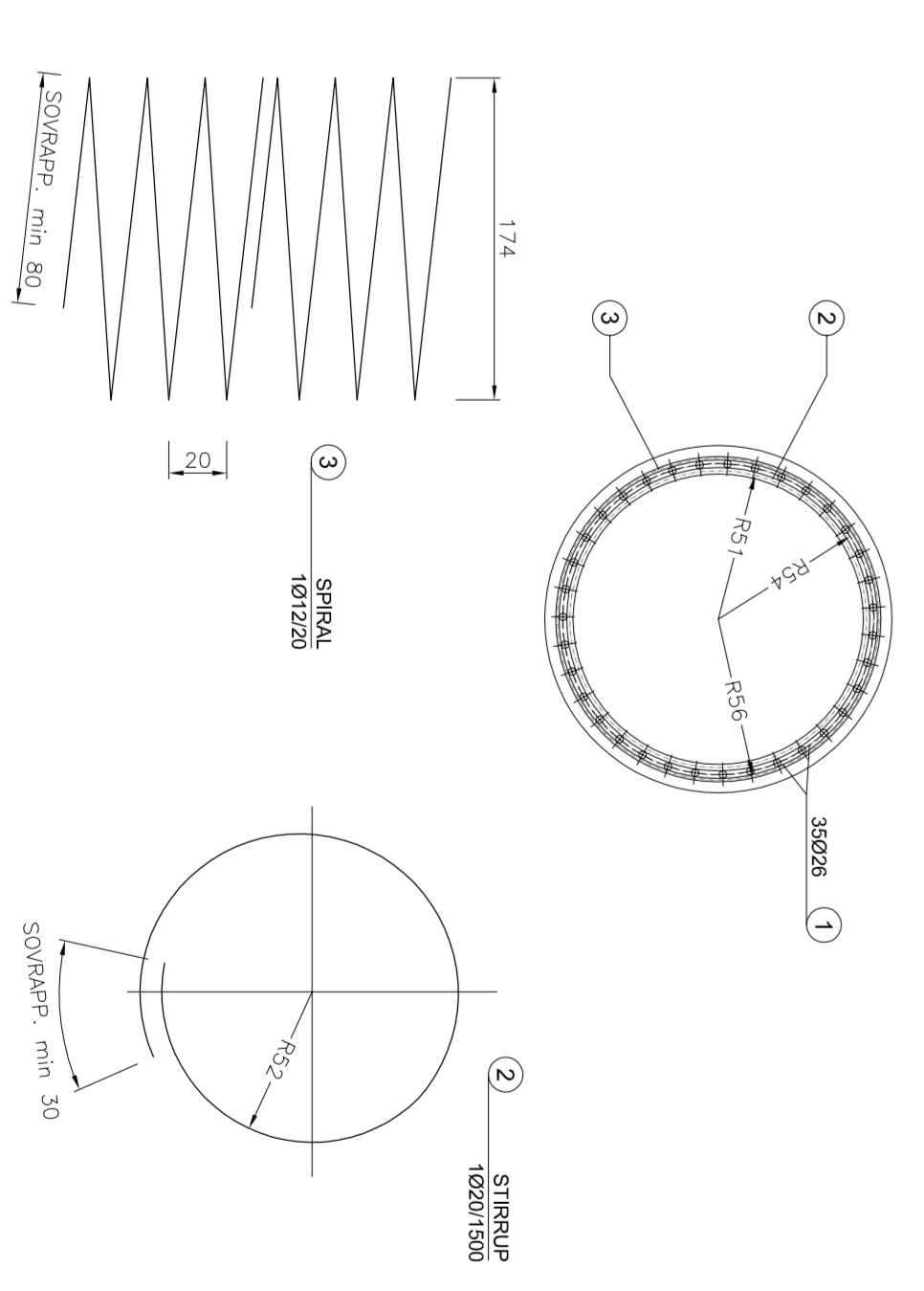
PILES WALL/PILA $\varnothing 1200/1.30m$
H=22.00m



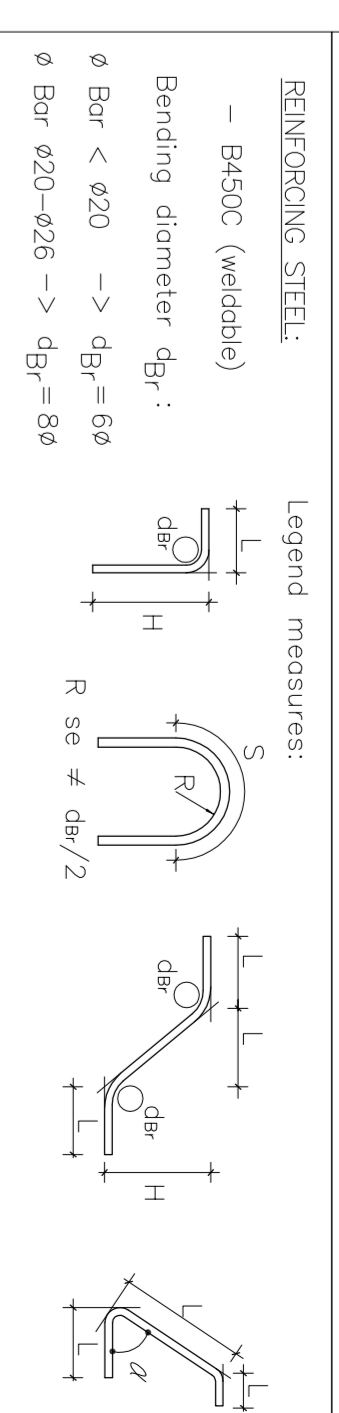
PILES WALL/PILA $\varnothing 1200/1.30m$
H=25.00m



PILES WALL/PILA $\varnothing 1200/1.30m$
H=28.00m



STEELS TABLE



MATERIAL TABLE

CONCRETE PILE:
- Type H2
- $\rho_k > \rho_{s25}$ B45
- Medium structural Class S4/S5
- Concrete type C20 M / V / Q 0.20
- ρ max appropriate = 22.4 mm
- ρ max appropriate = 22.4 mm

CONCRETE ORBS:

- Type H2, B45
- $\rho_k > \rho_{s25}$ B45
- Medium structural Class S4/S5
- Concrete type C20 M / V / Q 0.20
- ρ max appropriate = 22.4 mm

REINFORCED STEEL:

- Method
- Method
- Method
- Method

LEAN CONCRETE:

- Type 1
- $\rho_k > \rho_{s12}$ B45
- Concrete type C20 M / V

Client / Client	CFR	CN.C.F. "C.F.R." S.A.
Consultant / Consultant	TECNIC	
Approved	R. Litza	
Approved	C. Ghimbili	
Approved	C. Ghimbili	
Approved	C. Ghimbili	
Approved	C. Ghimbili	

PROJECT FINANȚATE DE UNIUNEA EUROPEANĂ
EUROPEAN UNION FINANCED PROJECT

PROIECT/PROJECT
Zona de dezvoltare turistică a lacului Săpăntuș, județul Sibiu