

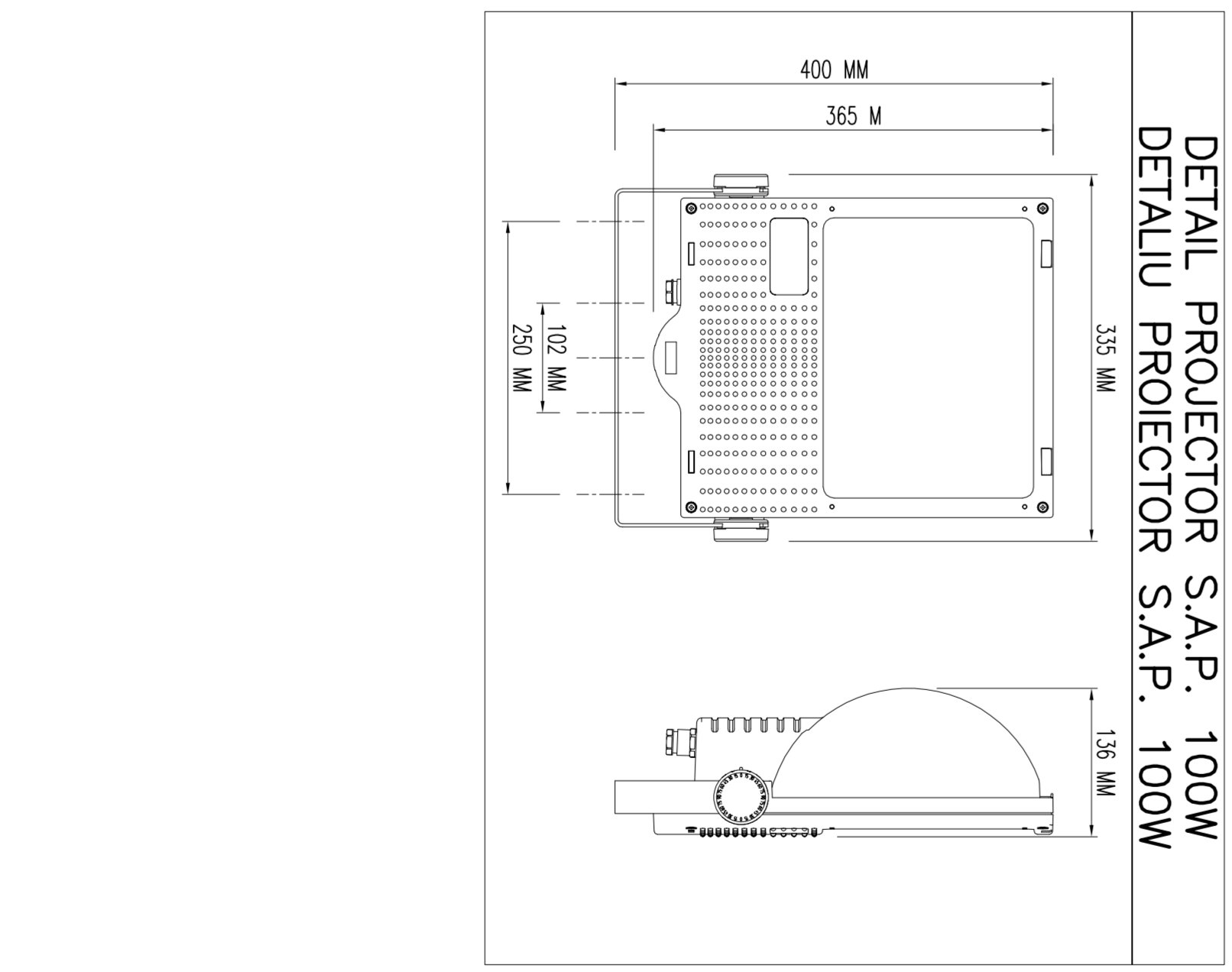
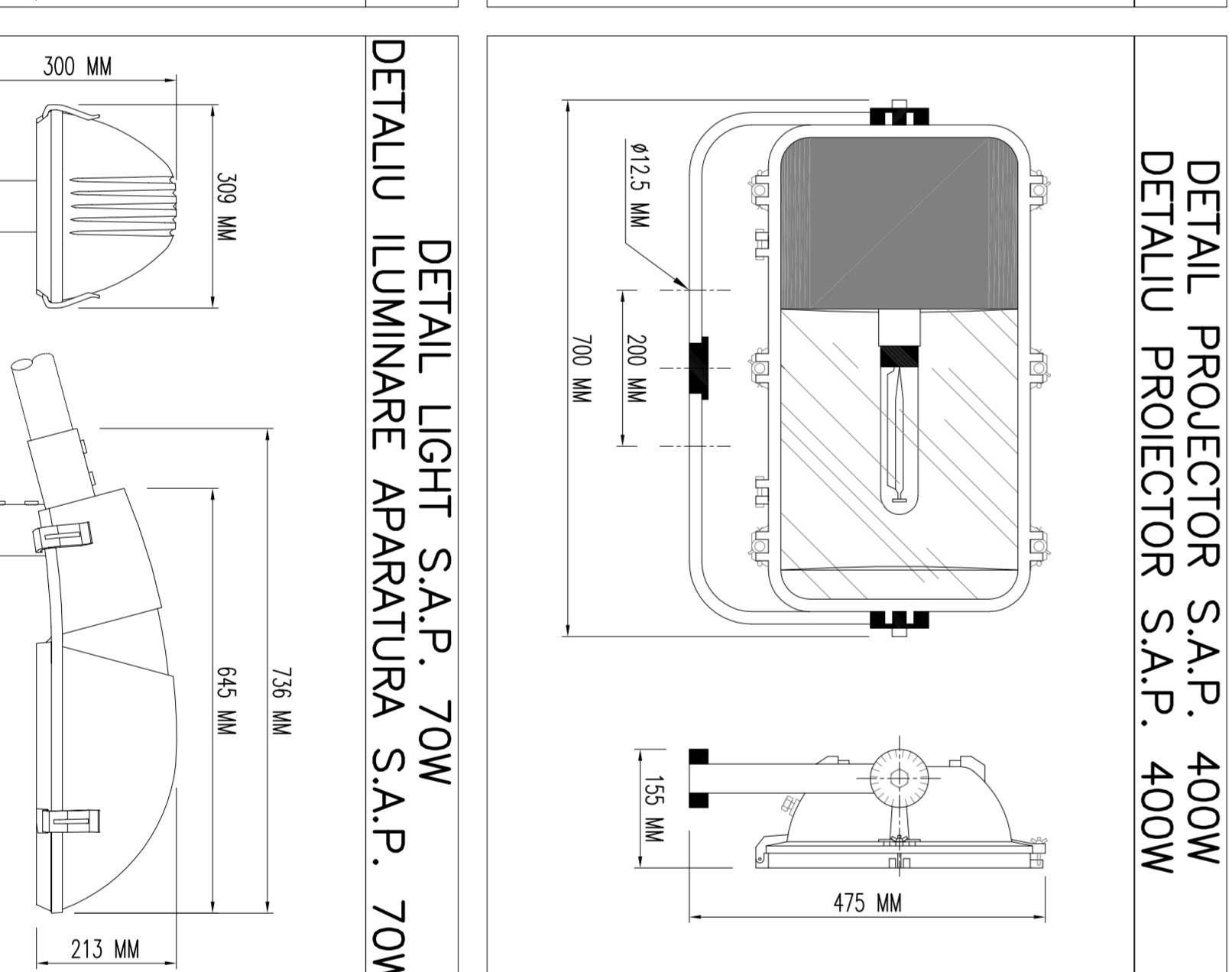
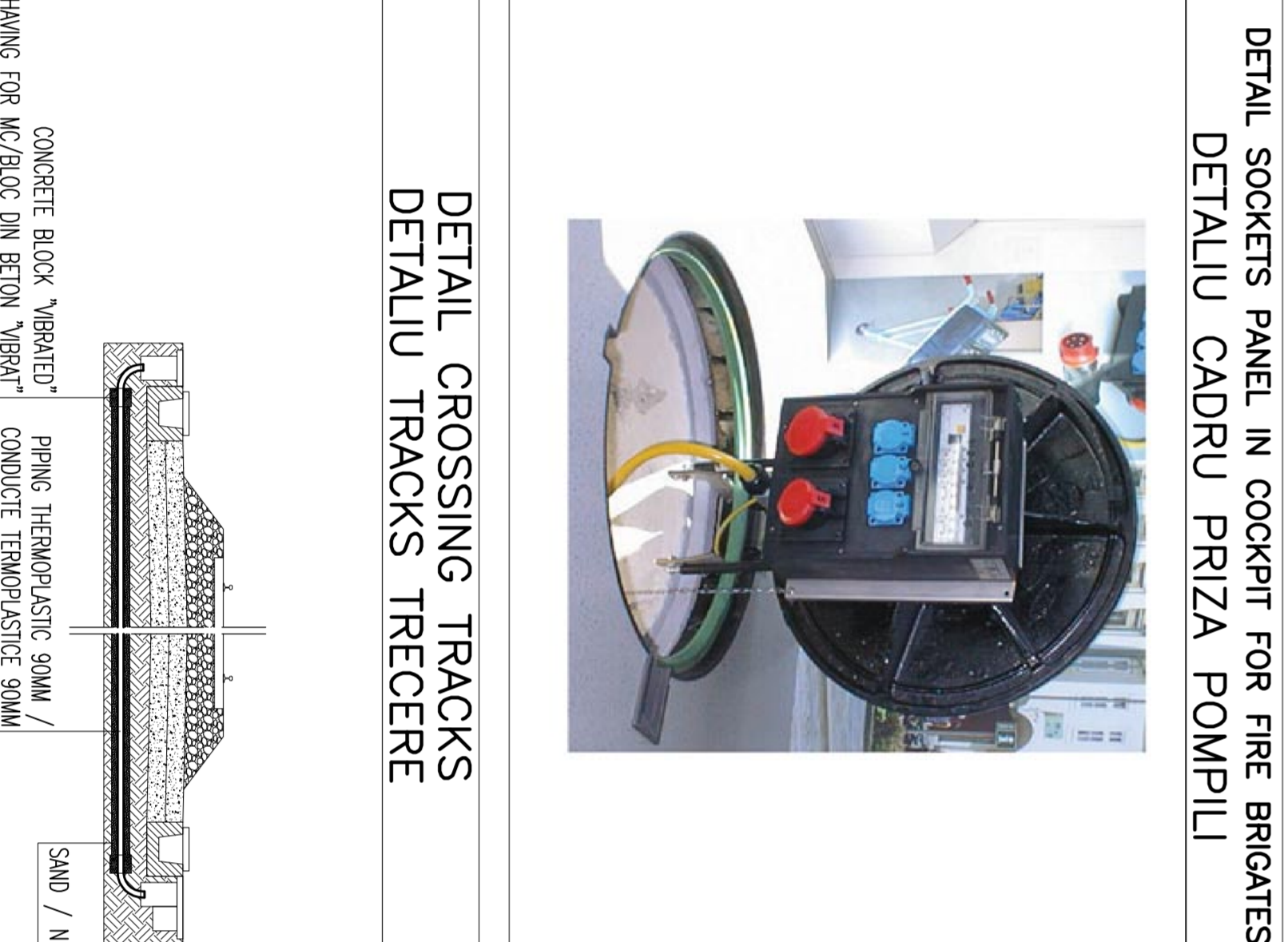
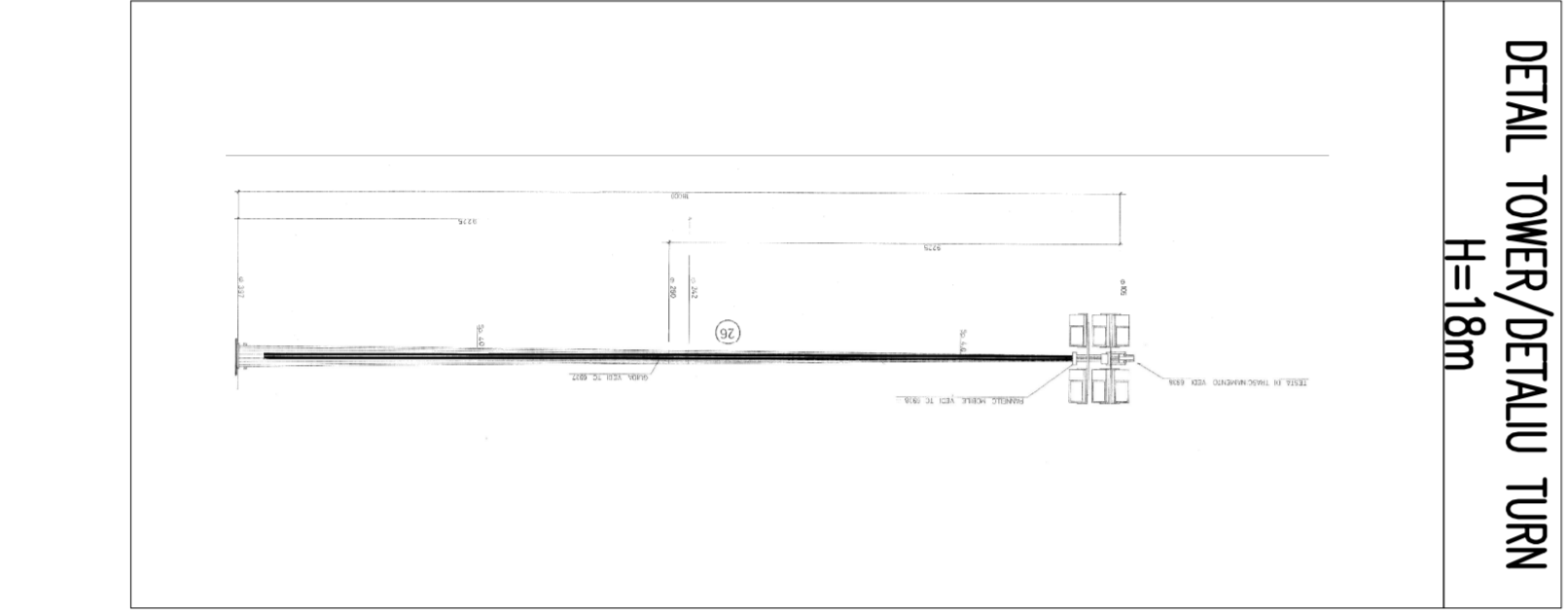
**indicator cable ducts/cablu indicator**

A	LEGBU NETWORKS / LEGBUI REȚELE
B	LEGBU TRENON / LEGBUI REȚELE
C	LEGBU TRENON / LEGBUI REȚELE
D	LEGBU TRENON / LEGBUI REȚELE
E	LEGBU TRENON / LEGBUI REȚELE
F	LEGBU TRENON / LEGBUI REȚELE
G	LEGBU TRENON / LEGBUI REȚELE
H	LEGBU TRENON / LEGBUI REȚELE
I	LEGBU TRENON / LEGBUI REȚELE
J	LEGBU TRENON / LEGBUI REȚELE
K	LEGBU TRENON / LEGBUI REȚELE
L	LEGBU TRENON / LEGBUI REȚELE
M	LEGBU TRENON / LEGBUI REȚELE
N	LEGBU TRENON / LEGBUI REȚELE
O	LEGBU TRENON / LEGBUI REȚELE
P	LEGBU TRENON / LEGBUI REȚELE
Q	LEGBU TRENON / LEGBUI REȚELE
R	LEGBU TRENON / LEGBUI REȚELE
S	LEGBU TRENON / LEGBUI REȚELE
T	LEGBU TRENON / LEGBUI REȚELE
U	LEGBU TRENON / LEGBUI REȚELE
V	LEGBU TRENON / LEGBUI REȚELE
W	LEGBU TRENON / LEGBUI REȚELE
X	LEGBU TRENON / LEGBUI REȚELE
Y	LEGBU TRENON / LEGBUI REȚELE
Z	LEGBU TRENON / LEGBUI REȚELE

**SYMBOLS LEGEND/LEGBUI SIMBOLURI**

**SAFE AREA SYSTEM/SISTEM DE ZONA SIGURA**

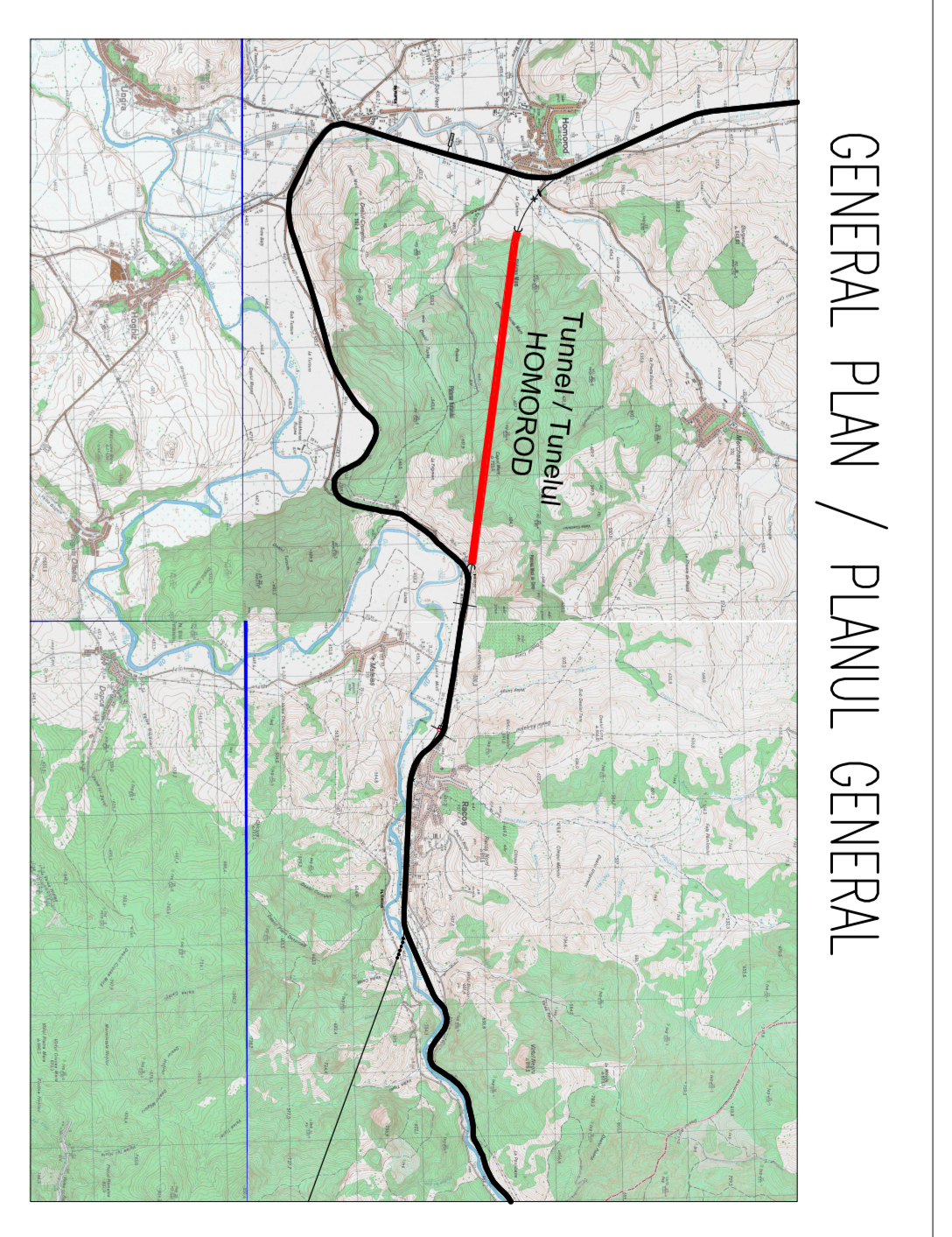
<input checked="" type="checkbox"/>	WELL WITH CONCRETE LUMINAIE DIMENSIONS/ BINE CU CANAL CONCRET DIMENSIUNI :	<input type="checkbox"/>	400x50 MM
<input checked="" type="checkbox"/>	NETWORK W/ / REȚEA W/	<input type="checkbox"/>	600x600 MM
<input checked="" type="checkbox"/>	PRELUNE W/ / PRELUNE W/	<input type="checkbox"/>	1000x1000 MM
<input checked="" type="checkbox"/>	PRELUNE ASCENDING-DESCENDING / PRELUNE URCARE / DE COBORARE		
<input checked="" type="checkbox"/>	WELL WITH CONCRETE DIMENSIONS 300x300 MM		
<input checked="" type="checkbox"/>	FIBERGLASS POLE H=5M FT./PALE DIN FIBRA DE STICLA H=5M FT.		
<input checked="" type="checkbox"/>	TOWER / TURN		
<input checked="" type="checkbox"/>	LIGHT S.A.P. 70W / LUMINAIE S.A.P. 70W		
<input checked="" type="checkbox"/>	PROJECTOR S.A.P. 400W / PROIECTOR S.A.P. 400W		
<input checked="" type="checkbox"/>	PROJECTOR S.A.P. 100W / PROIECTOR S.A.P. 100W		
<input checked="" type="checkbox"/>	LIGHT INDICATOR / INDICATOR DE LUMINAIE W/ W/		
<input checked="" type="checkbox"/>	LIGHT INDICATOR / INDICATOR DE LUMINAIE W/ W/		
<input checked="" type="checkbox"/>	SWITCH WITH INDICATOR / SWITCH CU INDICATOR DE LUMINAIE		
<input checked="" type="checkbox"/>	SWITCH WITH INDICATOR / SWITCH CU INDICATOR DE LUMINAIE		



**DETAIL CROSSING TRACKS**  
DETAIU TRACERE TRACKS

**DETAIL LIGHT S.A.P. 70W**  
DETAIU LUMINAIE APARATURA S.A.P. 70W

**DETAIL PROJECTOR S.A.P. 100W**  
DETAIU PROIECTOR S.A.P. 100W



**NOTES/NOTE**

1. ALL DIMENSIONS ARE IN MILLIMETERS UNLESS OTHERWISE SPECIFIED.

2. ALL DIMENSIONS ARE TO FACE UNLESS OTHERWISE SPECIFIED.

3. ALL DIMENSIONS ARE TO FACE UNLESS OTHERWISE SPECIFIED.

4. ALL DIMENSIONS ARE TO FACE UNLESS OTHERWISE SPECIFIED.

5. ALL DIMENSIONS ARE TO FACE UNLESS OTHERWISE SPECIFIED.

6. ALL DIMENSIONS ARE TO FACE UNLESS OTHERWISE SPECIFIED.

7. ALL DIMENSIONS ARE TO FACE UNLESS OTHERWISE SPECIFIED.

8. ALL DIMENSIONS ARE TO FACE UNLESS OTHERWISE SPECIFIED.

9. ALL DIMENSIONS ARE TO FACE UNLESS OTHERWISE SPECIFIED.

10. ALL DIMENSIONS ARE TO FACE UNLESS OTHERWISE SPECIFIED.

**CLIENT / CLIENT**

**CONSULTANT / CONSULTANT**

**SUBCONSULTANT / SUBCONSULTANT**

**APPROVED / APROBAT**

**DATE / DATA**

**SCALE / SCALA**

**PROJECT / PROIECT**

**LOCATION / LOCALITATE**

**DESCRIPTION / DESCRIERE**

**CONTACT / CONTACT**

**REVISIONS / REVIZIUNI**

**APPENDICES / ANEXE**

**GENERAL INFORMATION / DATE GENERALE**

**PROJECT INFORMATION / DATE PROIECT**

**CLIENT INFORMATION / DATE CLIENT**

**CONSULTANT INFORMATION / DATE CONSULTANT**

**SUBCONSULTANT INFORMATION / DATE SUBCONSULTANT**

**APPROVAL INFORMATION / DATE APROBARE**

**DATE / DATA**

**SCALE / SCALA**

**PROJECT / PROIECT**

**LOCATION / LOCALITATE**

**DESCRIPTION / DESCRIERE**

**CONTACT / CONTACT**

**REVISIONS / REVIZIUNI**

**APPENDICES / ANEXE**