

MEDICAL CARE BUILDING GROUND FLOOR PLAN/CLADIRE DE SANATATE PLAN DE PARTIER – SCALE 1:25

MEDICAL CARE BUILDING LOCAL LEGEND/ LEGENDA LOCAL CLADIRE DE SANATATE	
1	WARNING LOCAL / Avertisment / Avertisment
2	LOCAL / Local
3	SMOKE DETECTOR / Detector de fum
4	W.C.
5	Medical/medical



SMOKE DETECTOR CEILING WIRING DIAGRAM/ DETECTOR DE FUM CELEXIUNI DIAGRAMA

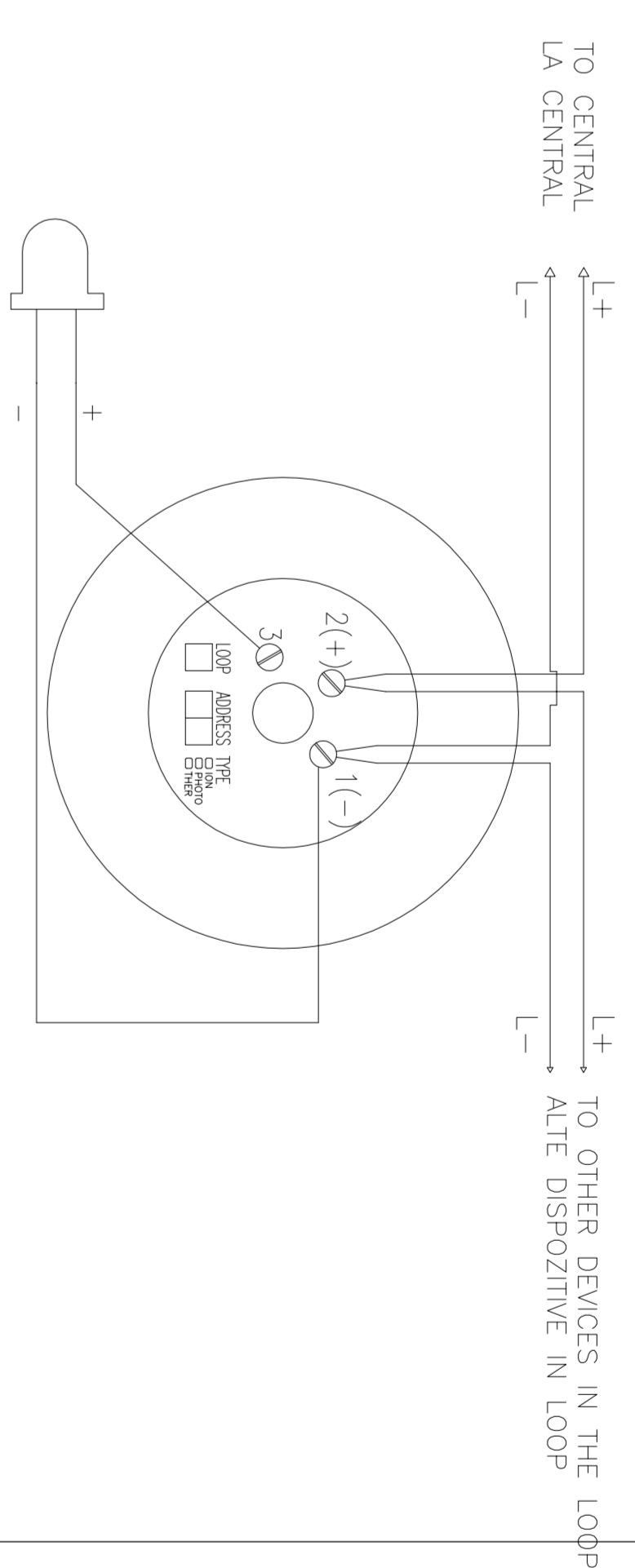


DIAGRAM FIRE DETECTION SYSTEM/DIAGRAMA SISTEMULI DE DETECTIE INCENDIU

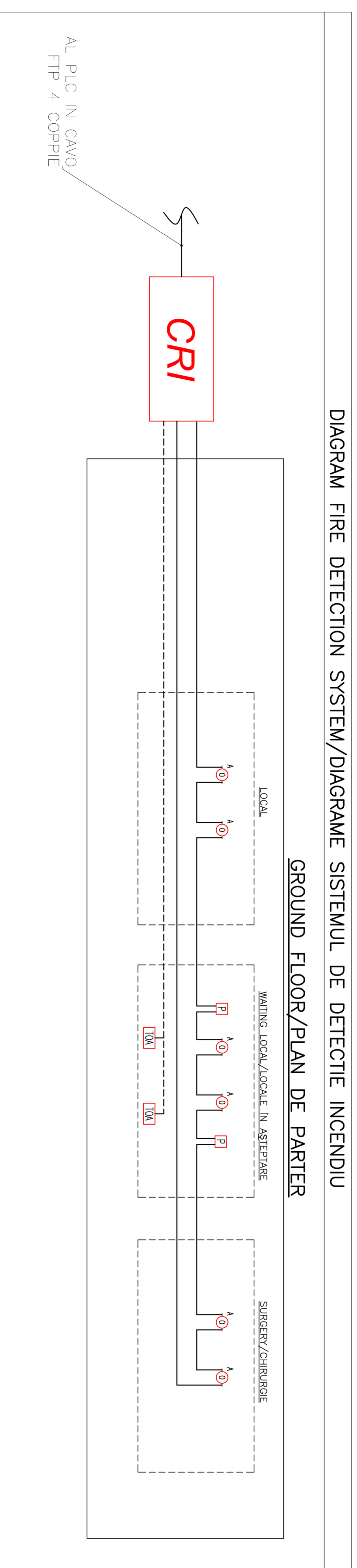
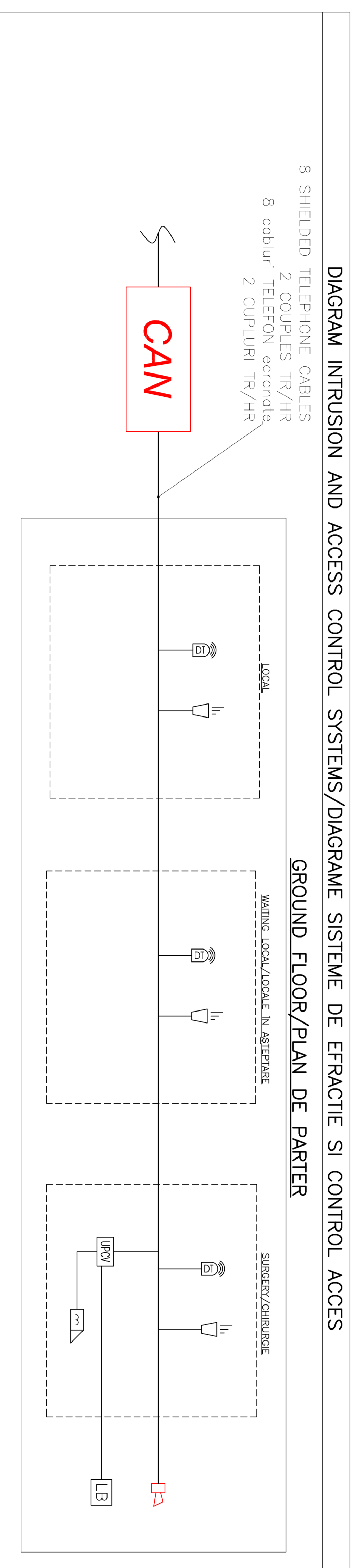


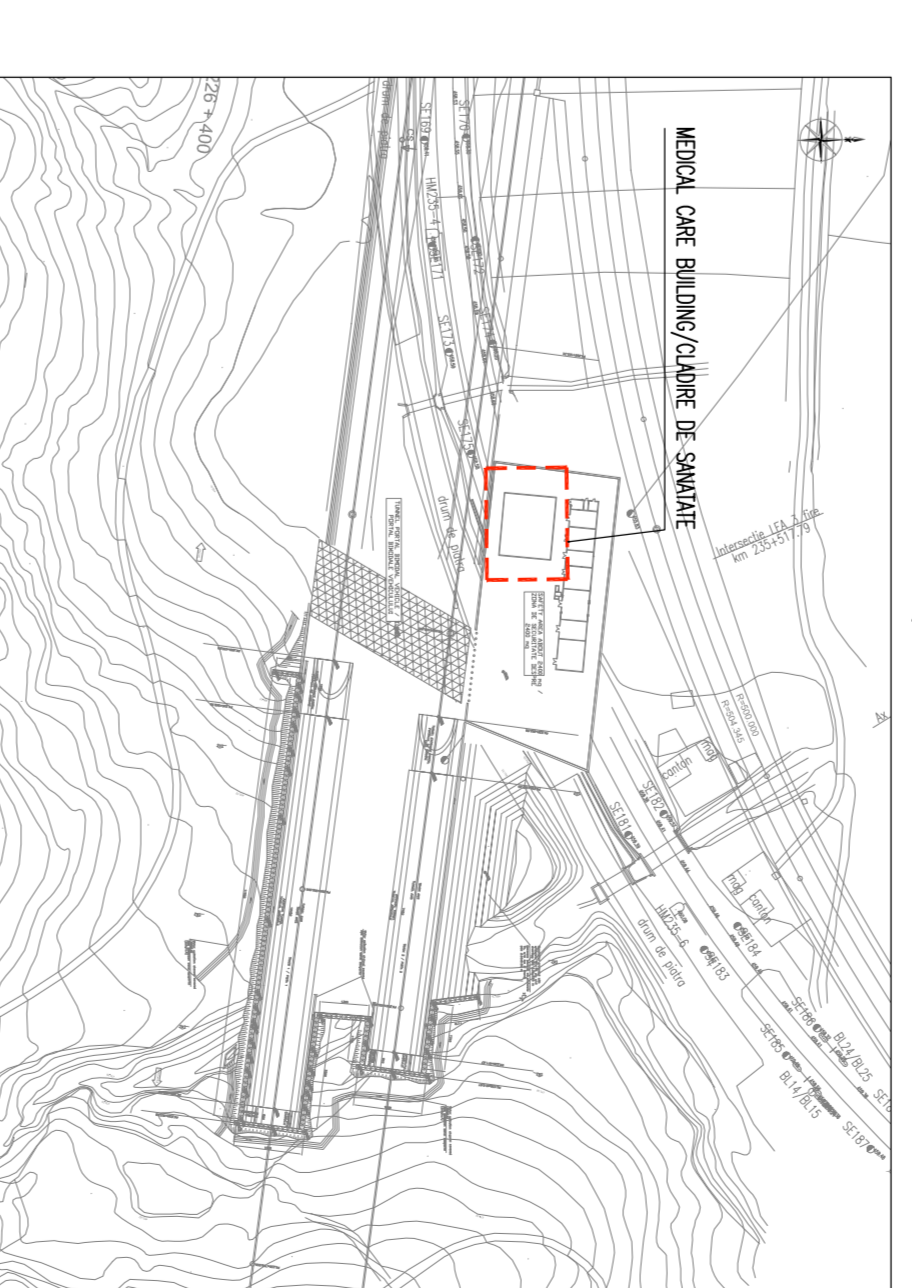
DIAGRAM INTRUSION AND ACCESS CONTROL SYSTEMS/DIAGRAME SISTEME DE EFRACTIE SI CONTROL ACCES



SYMBOL LEGEND/LEGENDA SIMBOLURI

SYMBOL/ SIMBOLUL	DESCRIPTION/DESCRIERE
	CENTRAL FIRE DETECTION/CONTROL OF DETECTION & RECOGNITION
	CENTRAL ACCESS CONTROL/CENTRAL DE CONTROLUL ACCES
	OPTICAL SMOKE DETECTOR/DETECTORE DE FUM OPTICE
	FIRE ALARM BUTTON/BOTONUL DE ALARMA DE INCENDIU
	OPTICAL ACOUSTIC PANEL/PANOU ACUSTIC OPTIC
	OPTIC/Acoustic Alarm Siren/SIRENA ALARME ACOUSTICE EXTENSIVE
	MAGNETIC CONTACT/CONTACT MAGNETIC
	BACK SIGNAL/SIGNAL DE CITERNA
	ELECTRIC LOCK/LOCK/LOCKET ELECTRIC
	BUTTON RELEASE/BOTONUL DE ELIBERARE
	ALARM SIREN FROM INTERIOR/SONALIZATORUL ANTIFRACTIE DIN INTERIOR
	DOUBLE DETECTOR TECHNOLOGY FOR ANTINTRUSION SYSTEM/ DETECTORI TECHNOLOGIE DOBULU PENTRU SISTEMUL ANTIFRACTIE
	CABLE REFERENCED STEEL GALVANIZED ZINCED MM FOR SECONDARY DISTRIBUTION CANALIZ. STABILIZAT STEEL GALVANIZAT ZINCITIS MM PENTRU DISTRIBUTIA SECUNDAARA

KEY MAP/HARTA CHEIE



Code	Name	Address	City	Country
D				
C				
B				
A				

Code	Name	Address	City	Country
D				
C				
B				
A				

Code	Name	Address	City	Country
D				
C				
B				
A				

Code	Name	Address	City	Country
D				
C				
B				
A				