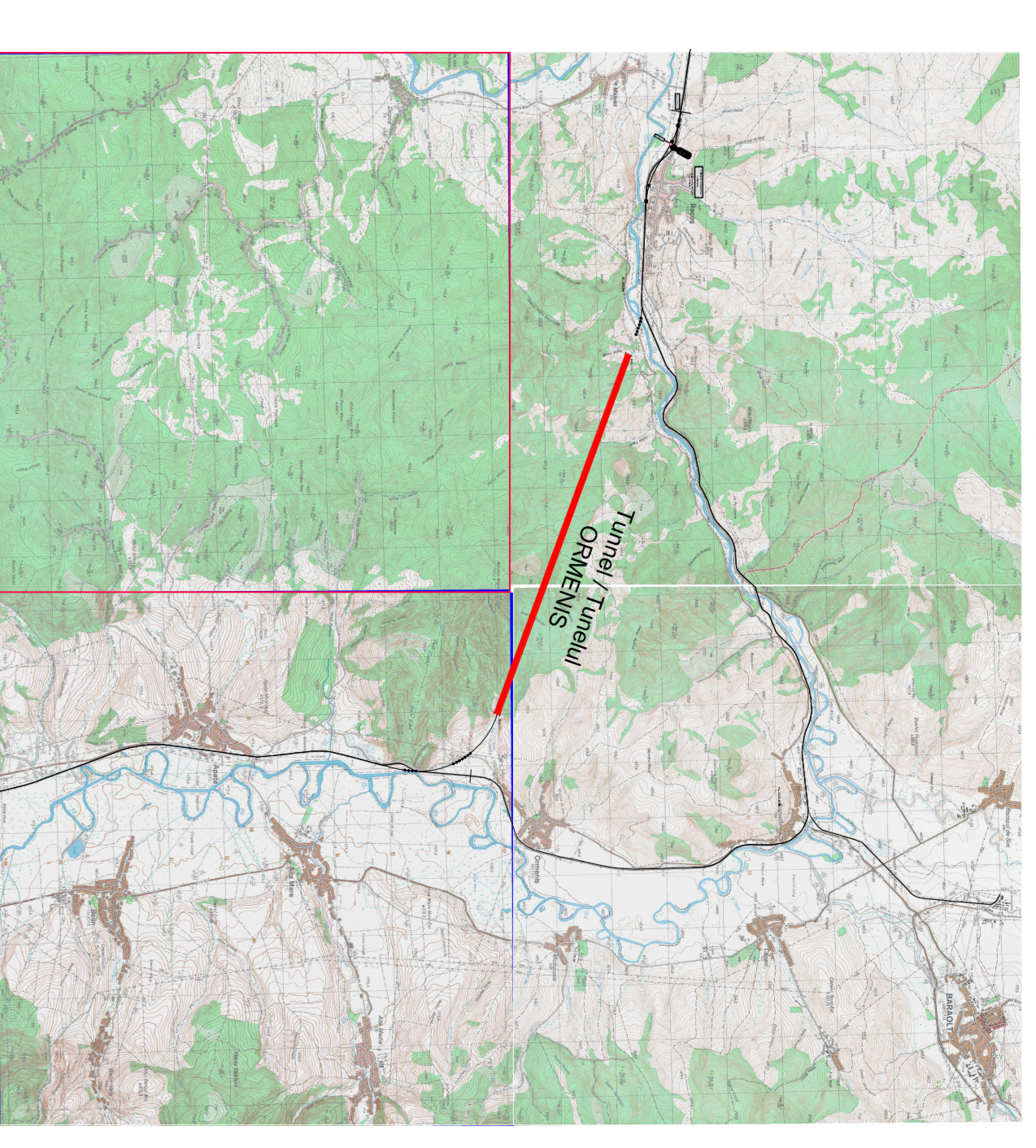


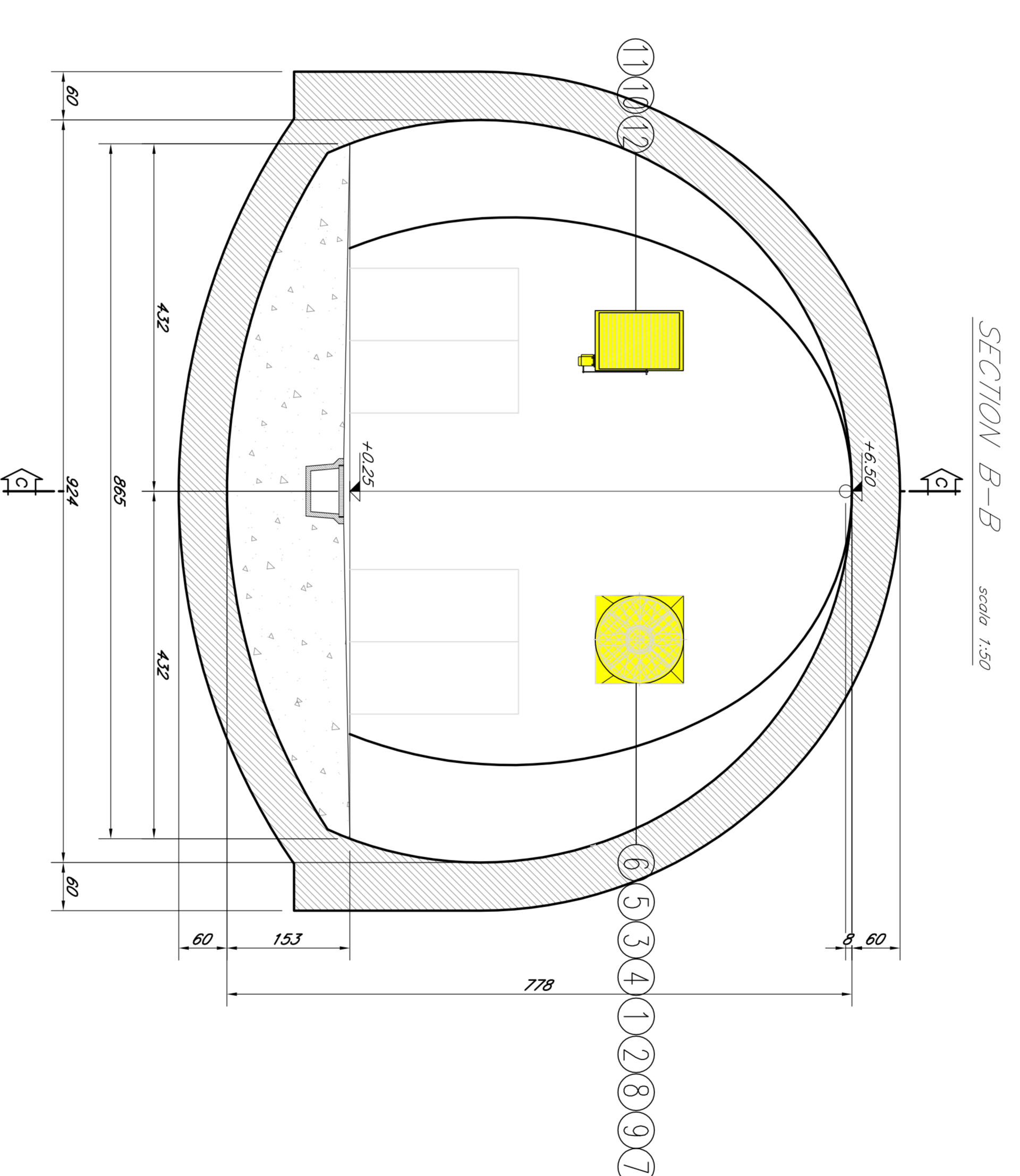
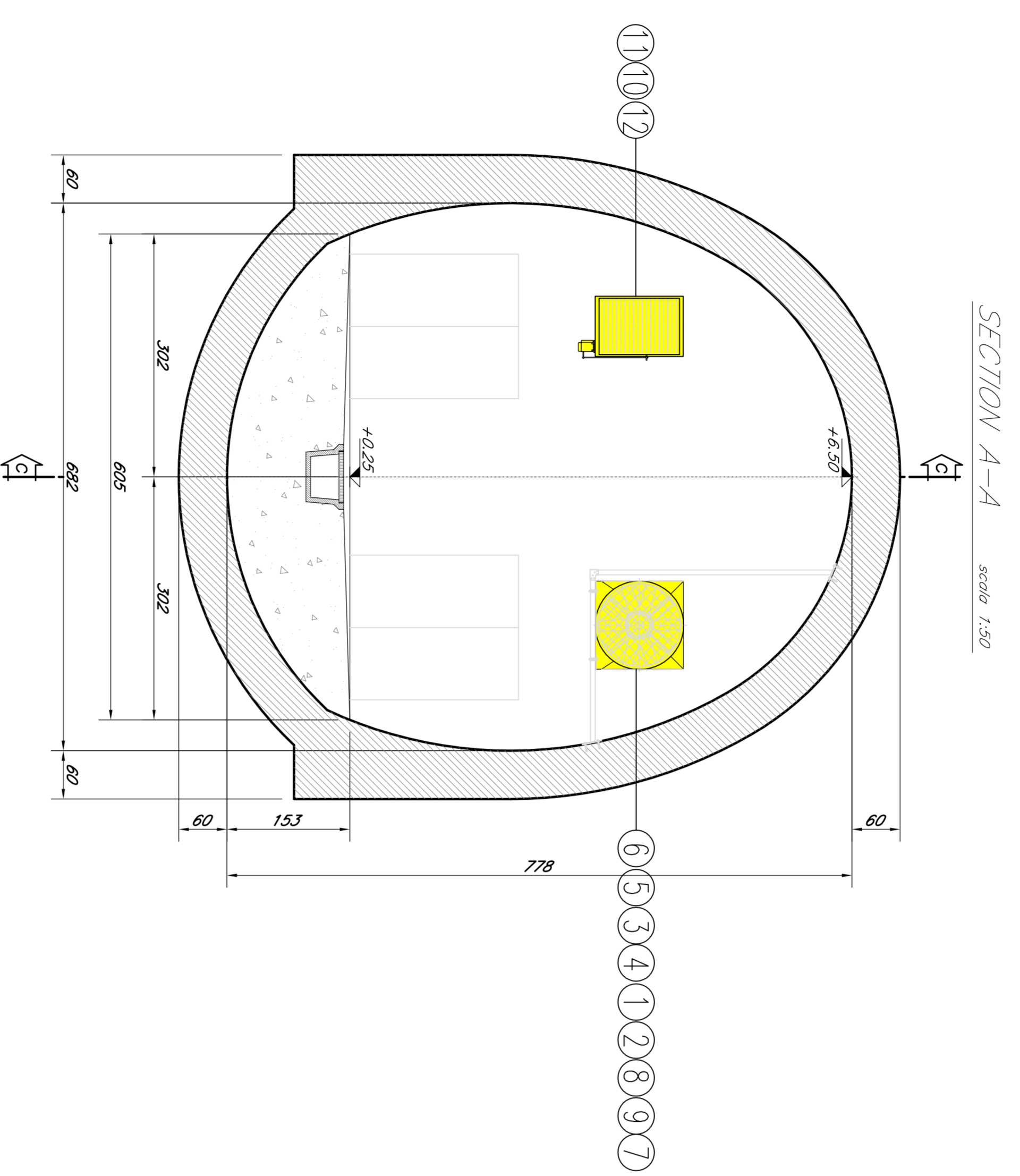
GENERAL PLAN / PLANUL GENERAL



LEGENDA / LEGENDA

- 1 – JET FAN/VENTILATORIE 0=10.6 m³/s – P.M.=7.5 kW
- 2 – PROTECTION NETWORK FAN/VENTILATOR SECURITATE REȚEA
- 3 – JOINT CIRCULAR-RECTANGULAR IN STEEL PLATE
MANT CIRCULAR-RECTANGULAR IN PLAȚA DE OTEL
- 4 – FLEXIBLE COUPLING FLANGE/FLEXIBILE COPLAJE FLANS
- 5 – GALVANIZED STEEL FIRE DAMPER Dim.1000x1000mm
AMORTIZOR FOC IN GALVANIZAT OTEL Dim.1000x1000mm
- 6 – GRID IN STEEL GALVANIZED Dim.1000x1000mm
GRID IN OTEL GALVANIZAT Dim.1000x1000mm
- 7 – GALVANIZED STEEL MUFFLER
SILENCER IN GALVANIZAT OTEL
- 8 – SUPPORT ANTIVIBRATION WITH SPRING HELICAL
SPRINJ SILENT DE PRĂMĂNĂ ELICOIDALE
- 9 – ANCHORAGE PLATE IN GALVANIZED STEEL Spesi.10mm
PLAȚA DE ANCORARE IN OTEL GALVANIZAT Spesi.10mm
- 10 – FIRE DAMPER IN GALVANIZED STEEL Dim.1000x700mm
FOC AMORTIZOR IN OTEL GALVANIZAT Dim.1000x700mm
- 11 – MOTORIZED CONTROL DAMPER IN GALVANIZED STEEL
AMORTIZOR DE CONTROL MOTORIZAT
- 12 – GRID IN STEEL GALVANIZED/GRID IN OTEL GALVANIZAT Dim.1000x700mm
- 22 – ELECTRIC LOCK/ELECTRIC BLOCARE
- 23 – DOOR STATUS SENSOR/SENZOR DE STARE USI
- 24 – AGREEMENT EXIT SIGNS/SEMNAȚA UN ACORD DE IEȘIRE

NOTE:
THE DIMENSIONS ARE EXPRESSED IN CENTIMETERS/DIMENSIUNILE SUNT IN CENTIMETRI



0							
C							
B							
A							

Model	Modificator/Modificator	Proiectant	Trasat/Trasat	Aprobat/
Data	Data	Data	Data	Data

GOVERNUL ROMÂNIEI
ROMANIA DEVELOPMENT PROJECT

PROIECT FINANȚAT DE UNIUNEA EUROPEANĂ
EUROPEAN UNION FINANCED PROJECT

CFR **C.N.C.F. "C.F.R." - S.A.**

CLIENT / CLIENT

CONSULTANT / CONSULTANT

Approved	Project manager	R. Lizza	Date	Signature
Approved	Section 1 Coordinator	C. Ghimbiu		
Checked	Total Project	C. Ghimbiu		
Issued	Producer	P. Ansoiu		
Revised	Designer			
Approved	Subcontract responsible			

SUBCONSULTANT / SUBCONSULTANT

Realizarea liniei de cale ferata Bucuresti - Sarmale, partea componenta a coridorului IV Pan European, pe traseul: Sarmale - Sarmale, componenta Part II de la IV Pan-European Corridor, for the rails circulation with maximum speed of 160 km/h. Section 1 Biserca - Sarmale - Sarmale

Denumire desen / Drawing Title : TUNELUL TUNELUL ORMENIS

Proiect/Project
2023/2023
P.11 / T.1.

Ventilation system/ Sistemul de ventilatie

Scale: 1:50 L07 N./N.

EA51 01 C 10 LX TS 10 1 1 0 0 4 0