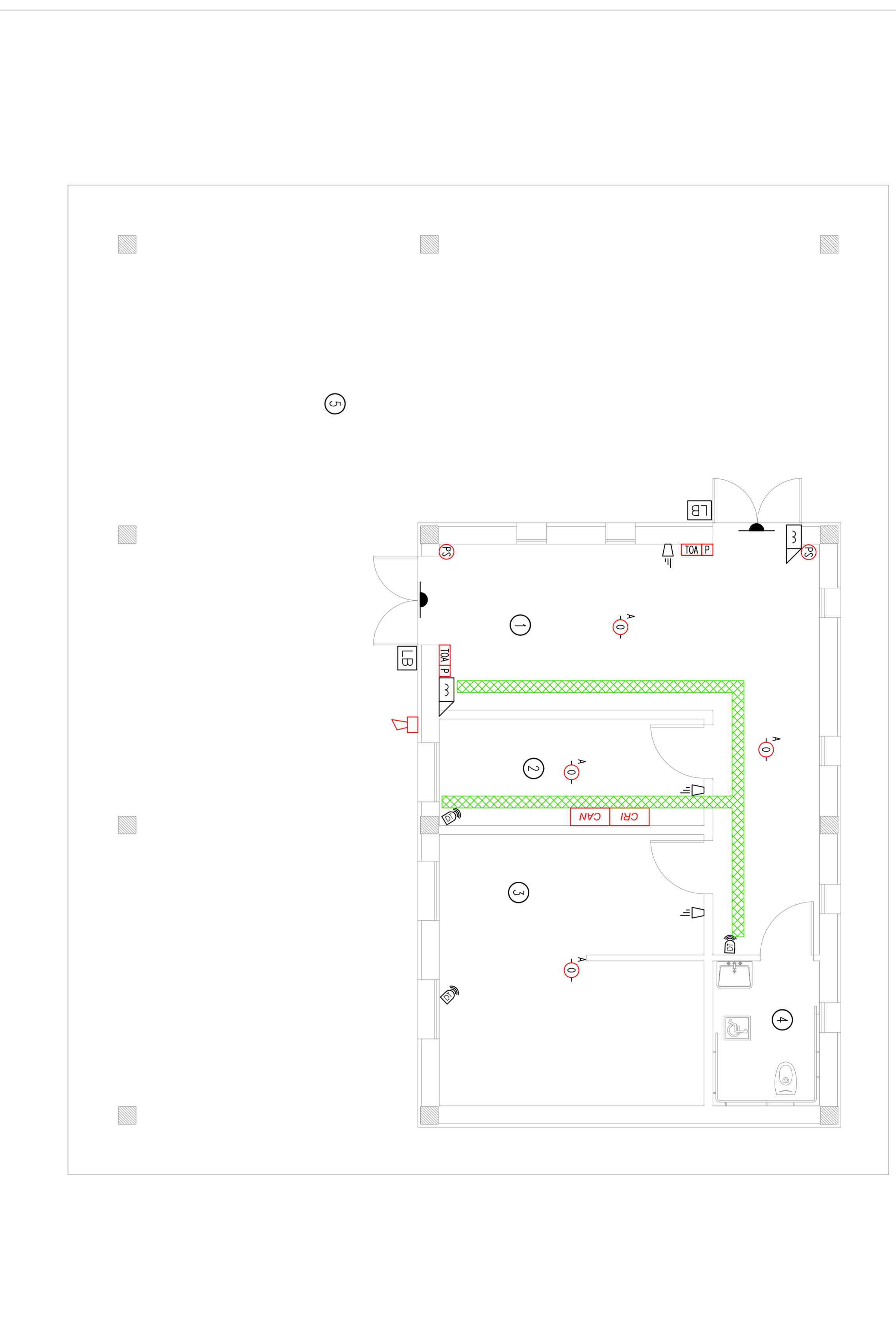


MEDICAL CARE BUILDING GROUND FLOOR PLAN/CLADIRE DE SANATATE PLAN DE PARTIER – SCALE 1:25

SYMBOL / SIMBOLUL	DESCRIPTION / DESCRIERE
1	WARNING LOCAL / Avertisment local
2	LOCAL / Locul
3	SMOKE DETECTOR / Detector de fum
4	W.C. / WC
5	Medical/ambulance



SMOKE DETECTOR CEILING WIRING DIAGRAM / DETECTOR DE FUM CONEXIUNI DIAGRAMA

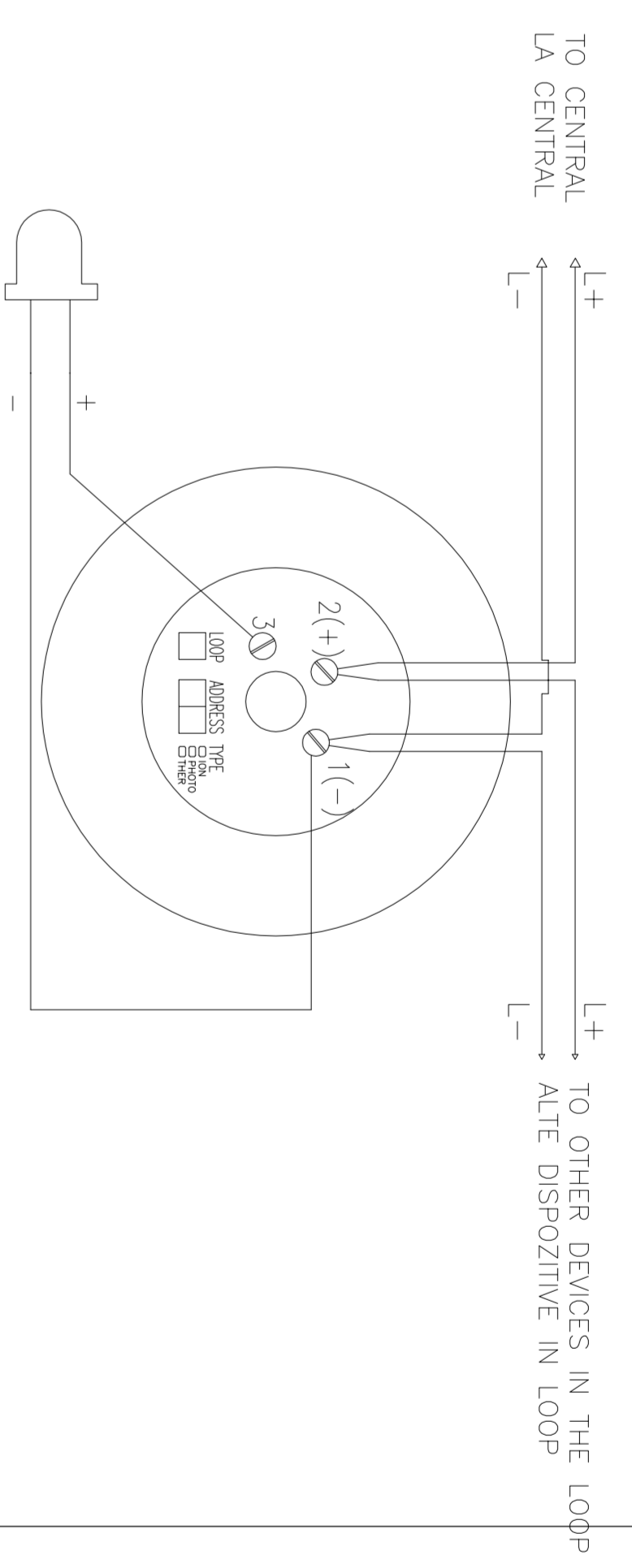


DIAGRAM FIRE DETECTION SYSTEM/DIAGRAMA SISTEMULUI DE DETECTIE INCENDIU

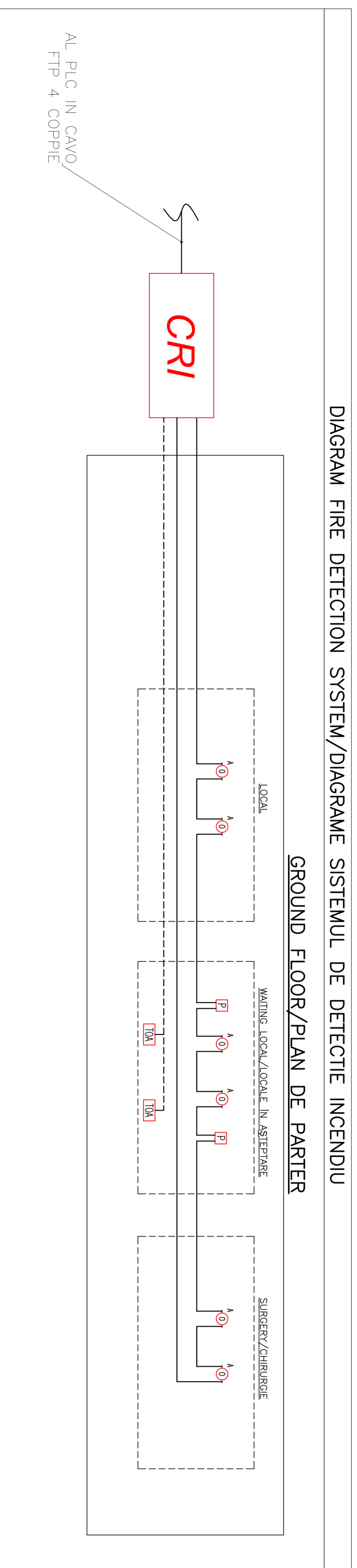
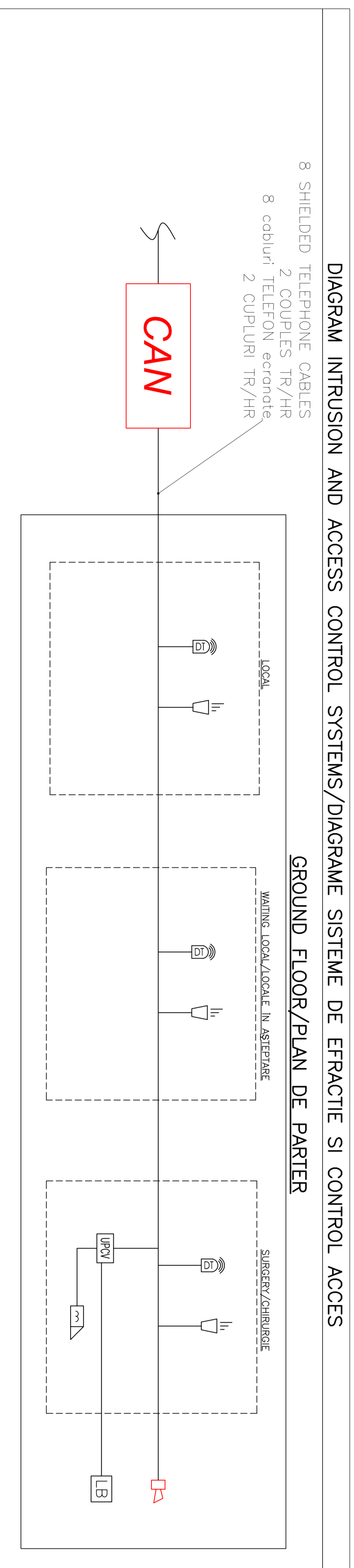


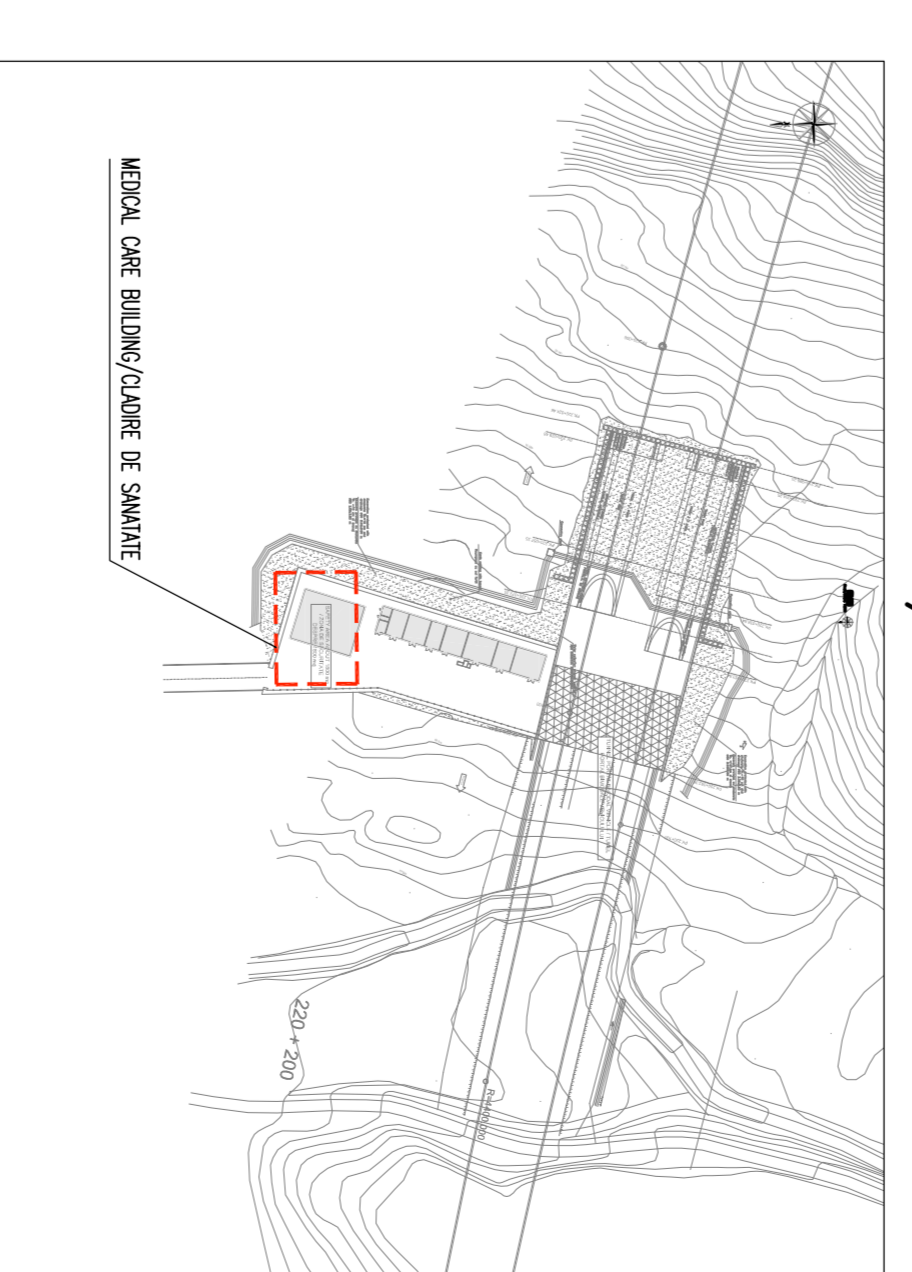
DIAGRAM INTRUSION AND ACCESS CONTROL SYSTEMS/DIAGRAMA SISTEME DE EFRACTIE SI CONTROL ACCES



SYMBOL LEGEND/LEGENDA SIMBOLURI

SYMBOL / SIMBOLUL	DESCRIPTION / DESCRIERE
1	CENTRAL FIRE DETECTION/CENTRAL DE DETECTIE A INCENDIULUI
2	CENTRAL ACCESS CONTROL/CENTRAL DE CONTROLUL ACCES
3	OPTICAL SMOKE DETECTOR/DETECTOR DE FUM OPTIC
4	FIRE ALARM BATTERY/BATERIE DE ALARMA DE INCENDIU
5	OPTICAL ACoustic PULSE/IMPULS ACUSTIC OPTIC
6	OUTDOOR ANTINTRUSION ALARM SIREN/SIRENA ALARME ANTIEFRACȚIE EXTENSIE
7	MAGNETIC CONTACT/CONTACT MAGNETIC
8	BLOCK SOLAR/PADEA CITERNA
9	ELECTRIC LOCK/LOCK/POARTE ELECTRICE
10	BUTTON RELEASE/ANTONAL DE ELIMINARE
11	ANTINTRUSION ALARM SIREN FROM INTERIOR/SIGNALIZATOR ANTIEFRACȚIE DIN INTERIOR
12	DOUBLE DETECTOR TECHNOLOGY FOR ANTINTRUSION SYSTEM/DETECTOR TEHNOLOGIE DOBULU PENTRU SISTEMUL ANTIEFRACȚIE
13	CANAL REINFORCED STEEL GALVANIZED ZINCED W/ FOR SECURITY DISTRIBUTION CANALUL REINFORȚAT OTEL GALVANIZAT ZINCAT CU PENTRU DISTRIBUIȚIA SISTEMULUI
14	SHIELDED TELEPHONE CABLES / cabluri TELEFON ecranate
15	COUPLES TR/HR / 2 CUPPLURI TR/HR

KEY MAP/HARTA CHEIE



NO.	DATE	REVISIONS/REVIZIUNI	DESIGNED/PROIECTANT	APPROVED/CONSTATAT	APPROVED/CONSTATAT
A					
B					
C					
D					

GOVERNUL ROMANIEI  
ROMANIA GOVERNMENT

PROIECT FINANȚAT DE UNIUNEA EUROPEANA  
EUROPEAN UNION FINANCED PROJECT

CFR  
C.N.C.F. "C.F.R." - S.A.

CLIENT / CLIENT	CONSULTANT / CONSULTANT	DATE	SERVICES
TRUZEAN Energy Services Center	R. LUZZA		Design
Sasol WILSON	C. GEMINELLI		Design
OBERMEYER INTEGRATED SERVICES GmbH	C. GEMINELLI		Design
TECHN Design System	P. ANDOIO		Design

Realizata la data de 14.04.2010. - Sursa: plan componenta a contractului IV Pan European, per Sectione I. Emission - Significatia  
Renasterea liniei de cale ferata Bucuresti - Sibiu, componenta Part of the IV Pan-European Corridor, for the trains circulation with maximum speed of 160 km/h.  
Section I Emission - Significatia

Denumire desen / Drawing Title : TUNEL TUNELUL OREMIS

Proiect/Project  
2009/07/27/28/29  
P.11.1.13.

Manufact care building/Cladirea de sanatate  
Layout plan of safety requirements de sanatate de incluziune de siguranta

Scale: 1:25

EA 5 1 0 1 C 1 0 L X T S 1 0 3 8 0 0 3 0