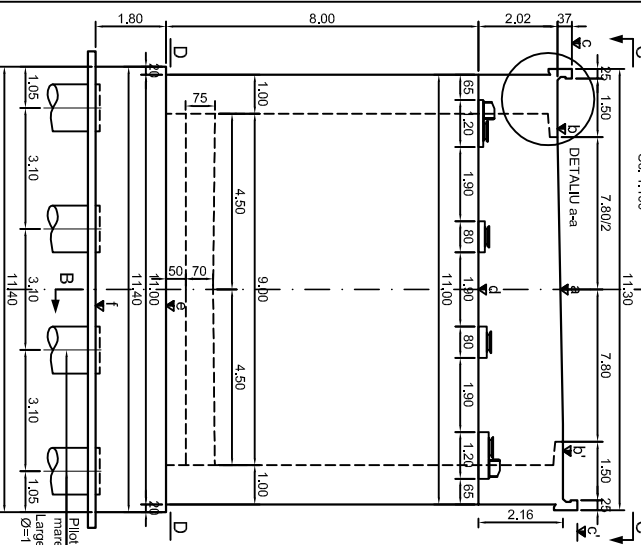
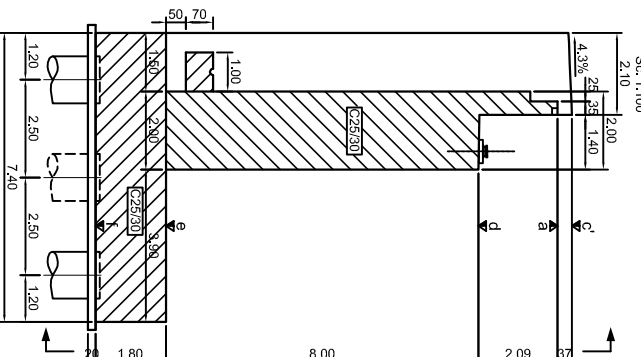


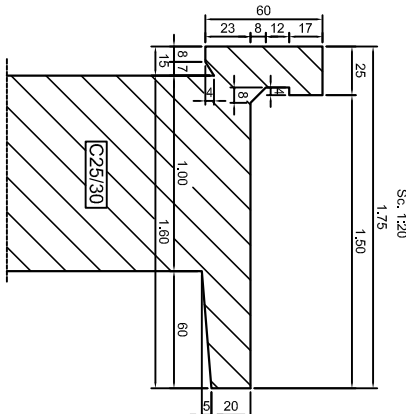
VEDERA A - A
Sc. 1:100



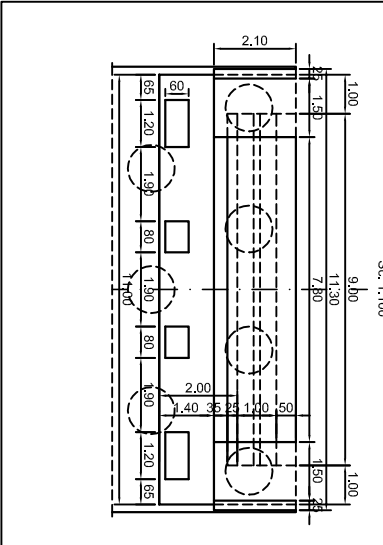
SECTION B - B
Sc. 1:100



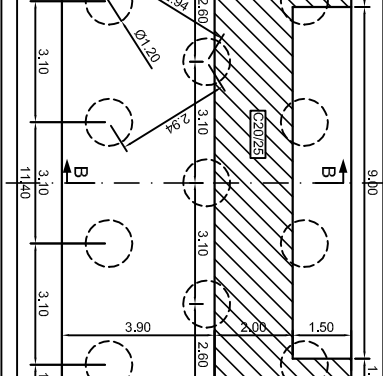
DETALIU a-a
Sc. 1:20



VEDERE C - C
Sc. 1:100



SECTION D - D
Sc. 1:100



Cerinte minime pentru asigurarea durabilitatii betonului Beton in coloane :

- clasa de expunere = XC2+XC4
- clasa de rezistenta = C25/30
- raportul maxim A/C = 0,50
- tipul de ciment = SR I/II-A-42,5
- dozaj minim de ciment (kg/mc) = 400
- clasa de bazare = S2
- dimensiunea maxima a agregatilor = 32mm
- grad de impermeabilitate = min. P12
- grad de gelivitate = G100

Cerinte minime pentru asigurarea durabilitatii betonului Beton in radiera :

- clasa de expunere = XC2+XC4
- clasa de rezistenta = C25/30
- raportul maxim A/C = 0,50
- tipul de ciment = SR I 42,5 N
- dozaj minim de ciment (kg/mc) = 300
- clasa de bazare = S2
- dimensiunea maxima a agregatilor = 32mm
- grad de impermeabilitate = min. P8
- grad de gelivitate = G100

Cerinte minime pentru asigurarea durabilitatii betonului Beton in elevalute:

- clasa de expunere = XC4+XF1
- clasa de rezistenta = C25/30
- raportul maxim A/C = 0,50
- tipul de ciment = SR I 42,5 N
- dozaj minim de ciment (kg/mc) = 300
- clasa de bazare = S2
- dimensiunea maxima a agregatilor = 32mm
- grad de impermeabilitate = min. P8
- grad de gelivitate = G100

C25/30 - substructure elevations

XC2+XC4 expose class
P10 impermeability degree
F100 frost resistance degree
SR I 42,5N cement type
0,55 W/C
300 minimum cement ratio
S2 settlement class
32mm maximum dimension of the aggregates

C25/30 - substructure foundation

XC2+XC4 expose class
P10 impermeability degree
G100 frost resistance degree
SR I 42,5N cement type
0,50 W/C maximum value
S2 minimum cement ratio
32mm settlement class
32mm maximum dimension of the aggregates

C25/30 - concrete in columns

XC2+XC4 expose class
P10 impermeability degree
F100 frost resistance degree
SR I/II A P 42,5 cement type
0,50 W/C maximum value
300 minimum cement ratio
S2 settlement class
32mm maximum dimension of the aggregates

Culea (Abutment)	CL.R	a	b	c	d	e	f
C1	481.472	481.332	481.252	481.302	481.632	481.782	479.232
					471.232	480.432	

This drawing is forbidden to be copied, lent or used in any way without the written and signed approval by ARFX Leader Company as its owner. Se interzice copierea, darea in folosinta sau utilizarea in alta scopuri, fara permisiunea ARFX Leader Company ca proprietar al desenului.

Index	Date	Modificarea	Proiectant	Approbat	Approbat
A	11.2011	Revizua 1	Ionelita Ungureanu	Approbat	Approbat

GUVERNUL ROMANIEI
ROMANIAN GOVERNMENT

PROIECT FINANȚAT DE UNIUNEA EUROPEANĂ
EUROPEAN UNION FINANCED PROJECT

CLIENT / CLIENT

C.N.C.F. "C.F.R." - S.A.

Consultant / Consultant	Project manager	Date	Signature
Approved	R. Luzzi		
Approved	C. Gambell		
Approved	V. Kalitronitis		
Checked			

Subcontractant / Subcontractor	Responsible	Date	Signature
Approved	A. Dinulescu Stanescu	11.2011	
Approved	Ionelita Ungureanu	11.2011	

Reabilitarea liniei de cale ferata Brasov - Simeria, parte componentă a coridorului IV Pan European, pentru circulație la trenurilor cu viteză maximă de 160 km/h.

Tronsoanel : Brasov - Sighisoara

Rehabilitation of the railway line Brasov - Simeria, component Part of the IV Pan-European Corridor, for the trains circulation with maximum speed of 160 km/h.

Section : Brasov - Sighisoara

Denumire desen / Drawing Title : INTERVAL APATA - RACOS PASAJ SUPERIOR / OVER PASS - KM 208+405.181 L=105.20m PLAN COFRAJ CULEI / ABUTMENT FORMWORK PLAN

Codificare / Codification System

EA51 01 E 10 BA PA 00 2 1 005 1

Search Scale	LOT / LOT	Nr / No
1:100		01 / 01