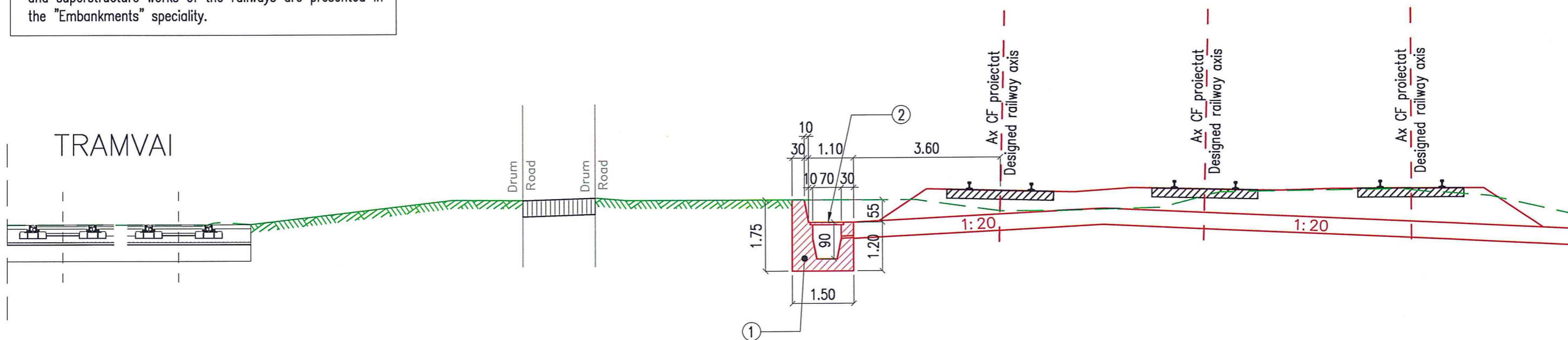


PROFIL TRANSVERSAL TIP  
TYPICAL CROSS SECTION

RIGOLA DE BETON ARMAT CU UMAR SI CAPAC IN APROPIEREA LINIILOR DE TRAMVAI, TIMISOARA EST  
REINFORCED CONCRETE GUTTER WITH SHOULDER AND CAP NEAR TRAMWAY LINES, TIMISOARA EST

NOTA: Definirea solutiilor tehnice pentru lucrarile de infrastructura si suprastructura CF sunt prezentate la specialitatea "Terasamente".

NOTE: The definition of technical solutions for infrastructure and superstructure works of the railways are presented in the "Embankments" speciality.



LEGENDA / LEGEND



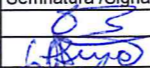

- ① Rigola de beton armat C30/37 cu umar si capac  
C30/37 reinforced concrete gutter with shoulder and cap
- ② Capac de beton C30/37  
C30/37 concrete cap

(\* Se aplica pe zona:  
Applied on the area:

km. 569+035.00 – 569+425.00 L=390.00m partea stanga / LHS

(\* NOTA: Aceasta lucrare este necesara ca urmare a extinderii viitoare a liniilor de tramvai spre ampriza CF.  
NOTE: This work is required as a result of the future extension of tram lines to the total land of railways.

LHS = Left Hand Side  
RHS = Right Hand Side

BENEFICIAR / BENEFICIARY COMPANIA NATIONALA DE CAI FERATE "CFR" SA 	C						DENUMIREA LUCRARI / PROJECT TITLE			
	B						STUDIU DE FEZABILITATE PENTRU MODERNIZAREA LINIEI FERoviARE CARANSEBES - TIMISOARA - ARAD			
	A						FEASIBILITY STUDY FOR MODERNIZATION OF THE RAILWAY LINE CARANSEBES - TIMISOARA - ARAD			
	Index / Index	Data / Date	Modificarea / Modification	Proiectat / Designed	Verificat / Verified	Sef Proiect / Project Manager				
PROIECTANT GENERAL / GENERAL DESIGNER  R.C.:J40/3940/1995	PROIECTANT DE SPECIALITATE / SPECIALIZED DESIGNER			DENUMIREA DESENULUI / DRAWING TITLE			PROFIL TRANSVERSAL TIP - RIGOLA DE BETON ARMAT CU UMAR SI CAPAC IN APROPIEREA LINIILOR DE TRAMVAI, TIMISOARA EST			
	PROFIL TRANSVERSAL TIP - RIGOLA DE BETON ARMAT CU UMAR SI CAPAC IN APROPIEREA LINIILOR DE TRAMVAI, TIMISOARA EST			TYPICAL CROSS SECTION - REINFORCED CONCRETE GUTTER WITH SHOULDER AND CAP NEAR TRAMWAY LINES, TIMISOARA EST						
	Projectat / Designed	Numele / Name	Semnatura / Signature	Projectat/Designed	Numele / Name	Semnatura / Signature	Project Nr. / Project No	Faza / Phase	Scara/Scale	Data / Date
Verificat / Verified	Bogdan SANDU		Verificat/Verified			1562/2015	SF / FS	1:100	08/17	S F F 3 0 0 C N 2 4 9 0 2 1
Sef Proiect / Project Manager	Catalin SERBAN		Responsabil Proiect / Project Responsible							