

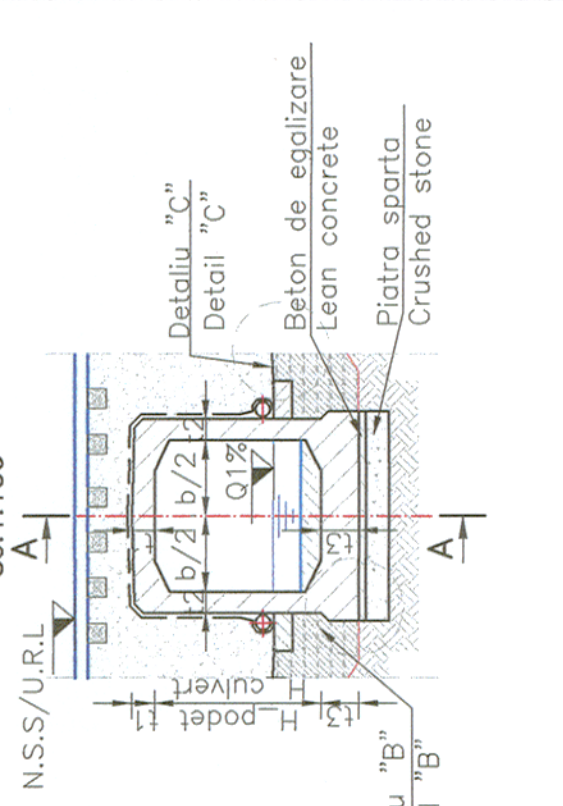
Se aplica solutia proiectata - Podet monolit cu lumina de 2.00m
The designed solution is applied - Monolith culvert with 2.00m span

Linia cf/ Railway line	Pozitia kilometrica proiectata/ Designed km position	Inaltime libera in podet / free height in culvert (m)	Lungime podet/ Culvert length (m)	Pozitia kilometrica proiectata/ Designed km position	Inaltime libera in podet / free height in culvert (m)	Lungime podet/ Culvert length (m)	Inaltime libera in podet / free height in culvert (m)
LINIA CF/ RAILWAY LINE 218 TIMISOARA ARAD	009+066	2.10	11.00	475+366	1.05	11.00	2.10
	010+462	1.75	19.00	478+061	1.85	19.00	1.75
	012+905	2.00	13.00	479+000	0.75	13.00	1.80
	013+625	1.80	11.00	479+489	1.55	11.00	2.00
	014+670	2.14	29.00	480+229	1.35	29.00	1.80
	018+925	2.50	12.00	484+155	1.80	12.00	2.14
	025+197	3.40	13.00	484+323	2.40	13.00	2.50
	031+892	2.00	12.00	484+642	2.00	12.00	3.40
	033+736	1.38	11.00	484+895	1.50	11.00	2.00
	034+492	1.58	13.00	485+920	2.50	13.00	1.38
LINIA CF/ RAILWAY LINE 218A ARADUL HOU-ARAD	036+660	1.69	11.00	488+313	2.80	11.00	1.58
	037+438	1.95	12.00	487+972	2.20	12.00	1.69
	038+797	2.50	14.00	489+985	1.87	14.00	1.95
	040+821	2.00	11.00	491+976	2.50	11.00	2.50
	4+461	2.00	11.00	493+757	2.80	11.00	1.69
	4+701	1.75	11.00	498+281	2.55	11.00	1.95
		2.00	11.00	501+581	1.60	11.00	2.00
		2.50	15.00	501+754	2.50	15.00	2.50
		2.00	12.00	501+979	2.20	12.00	2.00
		2.00	11.00	502+564	2.50	11.00	2.50
LINIA CF/ RAILWAY LINE 400 CARANSEBES - TIMISOARA	507+407	2.10	11.00	518+310	1.71	11.00	2.10
	507+844	2.00	11.00	518+694	2.50	11.00	2.00
	509+650	1.71	17.00	519+193	2.50	17.00	1.71
	518+310	2.50	13.00	519+734	2.50	13.00	2.50
	518+694	2.50	13.00	520+442	2.50	13.00	2.50
	519+193	2.50	13.00	528+852	2.50	13.00	2.50
	519+734	2.50	13.00	535+730	2.50	13.00	2.50
	520+442	2.50	13.00	536+160	2.50	13.00	2.50
	528+852	2.50	13.00	542+861	1.90	11.00	2.50
	535+730	2.50	13.00	543+663	2.10	11.00	1.90
536+160	2.50	13.00	544+497	1.82	11.00	2.10	
542+861	2.25	11.00	548+515	2.20	11.00	1.82	
543+663	2.20	12.00	548+515	2.20	12.00	2.25	
544+497	2.50	11.00	552+218	2.20	11.00	2.20	
548+515	2.50	11.00	553+034	2.50	11.00	2.50	
548+515	2.50	11.00	558+466	2.50	11.00	2.50	
552+218	2.50	16.00	561+544	3.00	16.00	2.50	
553+034	2.50	16.00	565+477	2.60	16.00	2.50	
558+466	2.06	21.00	566+637	2.06	21.00	2.06	
561+544	2.80	19.00	568+117	2.80	19.00	2.80	
565+477	2.20	16.00	568+693	2.20	16.00	2.20	

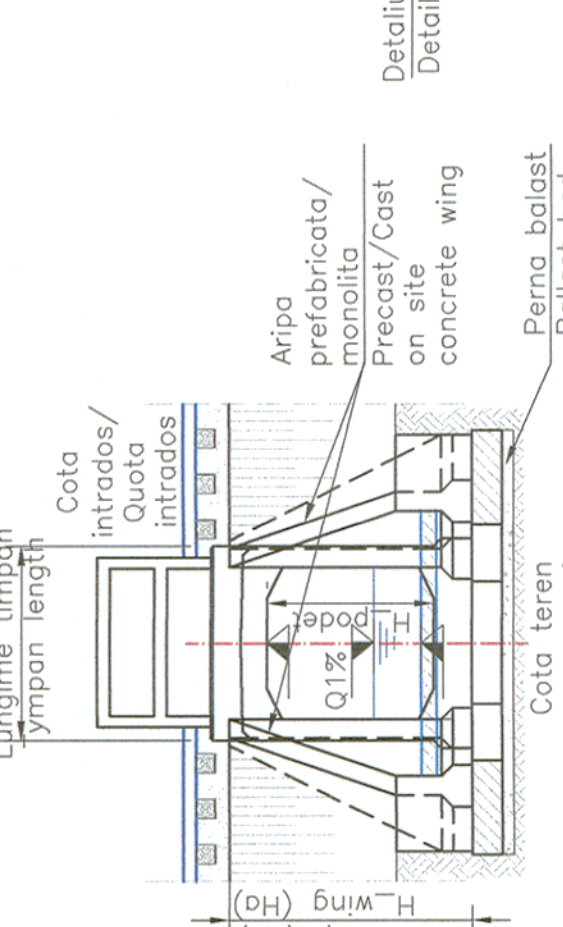
NOTA:
Detaliile privind inaltimea lamei de
apa din podet pentru fiecare
structura in parte sunt prezentate
in volumul "Studiul hidrologic".

NOTE:
Details regarding the nappe height
in culvert for each structure are
presented in annex
"Hydraulic study".

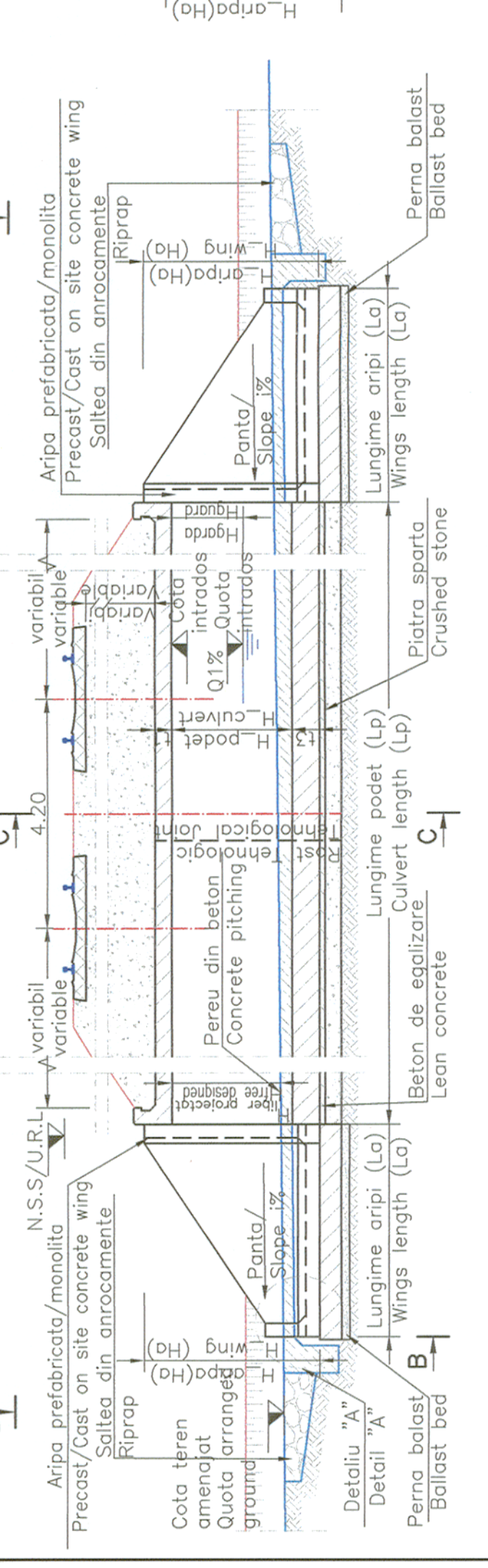
SECTIUNE TRANSVERSALA B-B/
TRANSVERSAL SECTION B-B



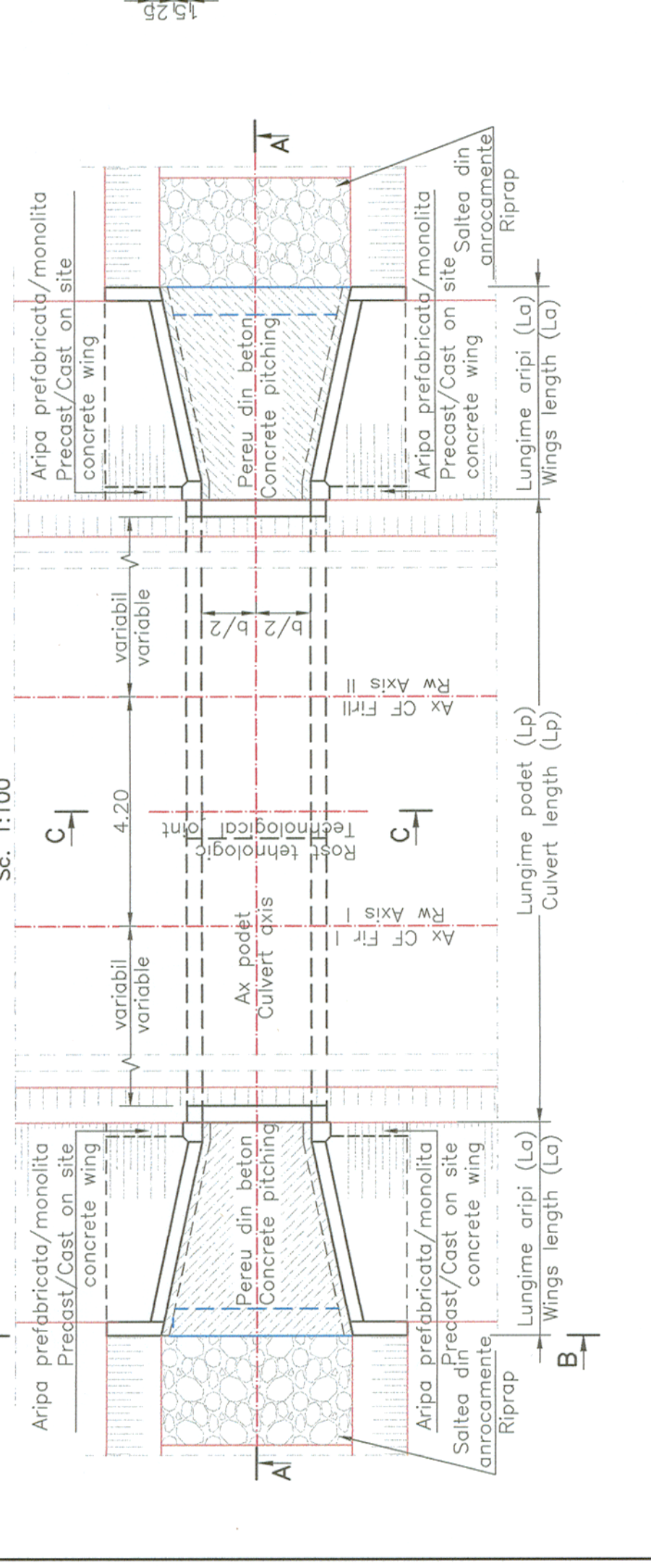
SECTIUNE TRANSVERSALA C-C/
TRANSVERSAL SECTION C-C



SECTIUNE LONGITUDINALA A-A/LONGITUDINAL SECTION A-A



VEDERE PLANA D-D/PLAN VIEW D-D



SECTIUNE TRANSVERSALA A-A/
TRANSVERSAL SECTION A-A



SECTIUNE TRANSVERSALA B-B/
TRANSVERSAL SECTION B-B



SECTIUNE TRANSVERSALA C-C/
TRANSVERSAL SECTION C-C



BENEFICIAR / BENEFICIARY
COMPANIA NATIONALA
DE CAI FERATE CFR SA

PROIECTANT GENERAL / GENERAL DESIGNER
CONSIS PROJECT
R.C.:J40/3940/1995

PROIECTANT DE SPECIALITATE / SPECIALIZED DESIGNER

Index / Index	Date / Date	Modificarea / Modification	Verificat / Verified	Proiectat / Designed	Numere / Name	Semnatura / Signature
C						
B						
A						

Podet monolit cu sectiune inchisa/Monolith closed section culvert

Elemente geometrice / Geometrical elements	t1(cm)	t2(cm)	t3(cm)	b(cm)	Hu(cm)	Hv(cm)	La(cm)	Lp(cm)	Ha(cm)
	30	28	50	200	variable	variable	variable	variable	variable

DENUMIREA LUCRĂRII / PROJECT TITLE
STUDIUL DE FEZABILITATE PENTRU MODERNIZAREA LINIEI FEROVIARE CARANSEBES - TIMISOARA - ARAD
FEASIBILITY STUDY FOR MODERNIZATION OF THE RAILWAY LINE CARANSEBES - TIMISOARA - ARAD

DENUMIREA DESENULUI / DRAWING TITLE
Podet monolit cu lumina de 2,00m
Monolith culvert with 2.00m span

Project No	Scale	Date / Date	Phase / Phase	Scale
1562/2015	1:100/ 1:50	02/19	SF / FS	1:100/ 1:50

Proiectant / Designer: Ing. Nicoleta FLORIAN
Verificat / Verified: Ing. Adrian DURAU
Responsabil Proiect / Project Manager: Ing. Catalin SERBAN

Codificare Proiect / Drawing Codification: SF 0 0 0 P D 2 5 0 0 2 1

Filename: 02_Podet monolit-Monolith culvert 2.00m.dwg