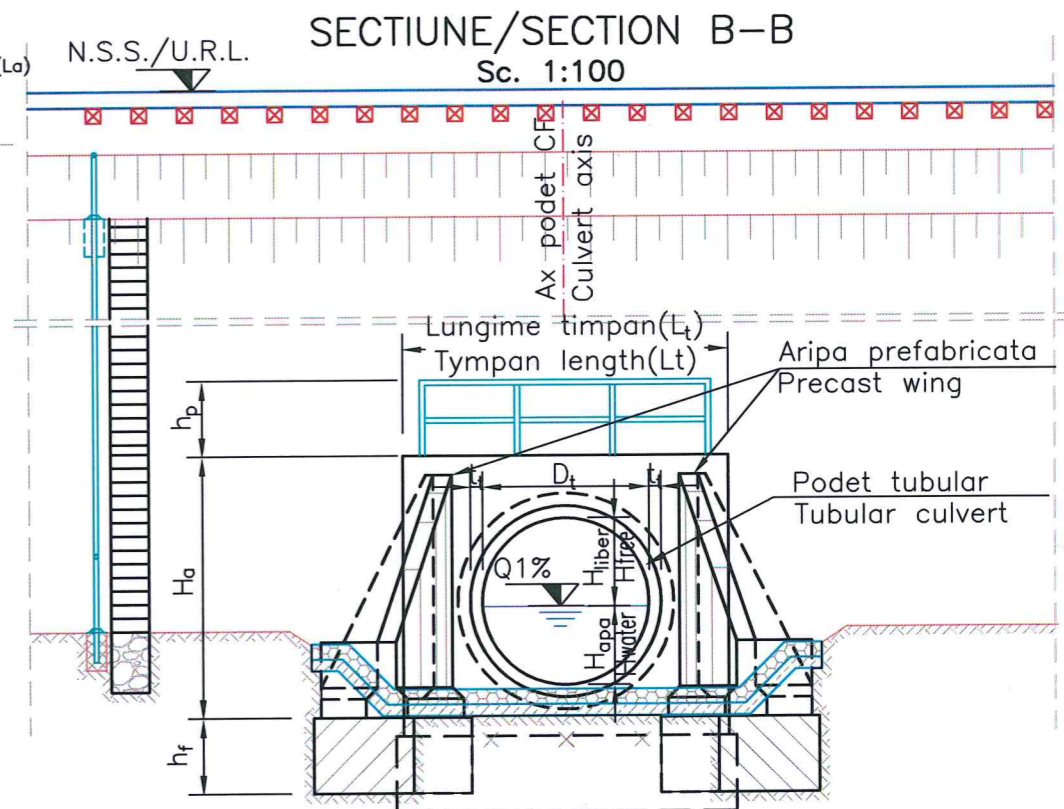


Se aplica solutia proiectata-Podet tubular executat prin metoda Pipe-Jacking 2.20m
Designed solution is applied-tubular culvert executed Pipe-Jacking method 2.20m

Linia cf/ Railway line	Pozitia kilometrica proiectata/ Designed km position	Inaltime libera in podet / free height in culvert (m)	Lungime pod/ Culvert length (m)
LINIA CF/ RAILWAY LINE 218 TIMISOARA- ARAD	16+515	2x2.2	47.00
	41+068	2.20	25.00
	41+322	2x2.2	26.00
	43+400	2.20	10.00
	43+833	3x2.2	76.00
	47+259	2.20	18.00



BENEFICIAR / BENEFICIARY COMPANIA NAȚIONALĂ DE CĂI FERATE "CFR" SA 	C						DENUMIREA LUCRĂRII / PROJECT TITLE STUDIU DE FEZABILITATE PENTRU MODERNIZAREA LINIEI FERoviARE CARANSEBEȘ - TIMIȘOARA - ARAD FEASIBILITY STUDY FOR MODERNIZATION OF THE RAILWAY LINE CARANSEBES - TIMISOARA - ARAD				
	B										
	A										
	Indice / Index	Data / Date	Modificarea / Modification	Proiectat / Designed	Verificat / Verified	Șef Proiect / Project Manager					
PROIECTANT GENERAL / GENERAL DESIGNER R.C.:J40/3940/1995			PROIECTANT DE SPECIALITATE / SPECIALIZED DESIGNER			DENUMIREA DESENULUI / DRAWING TITLE Podet tubular executat prin metoda Pipe-Jacking D=2.20m Tubular culvert executed by Pipe-Jacking method D=2.20m					
Proiectat / Designed	Numele / Name	Semnătura / Signature	Proiectat/Designed	Numele / Name	Semnătura / Signature	Proiect Nr. / Project No	Faza / Phase	Scara/Scale	Data / Date	Codificare Planșă/Drawing Codification	
Verificat / Verified	ing. Adrian DURA		Verificat/Verified			1562/2015	SF / FS	1:250/ 1:100/ 1:50	02/19	S F F 0 0 0 P D 2 5 0 0 6 1	
Șef Proiect / Project Manager	ing. Catalin SERBAN		Responsabil Project Project Responsible								