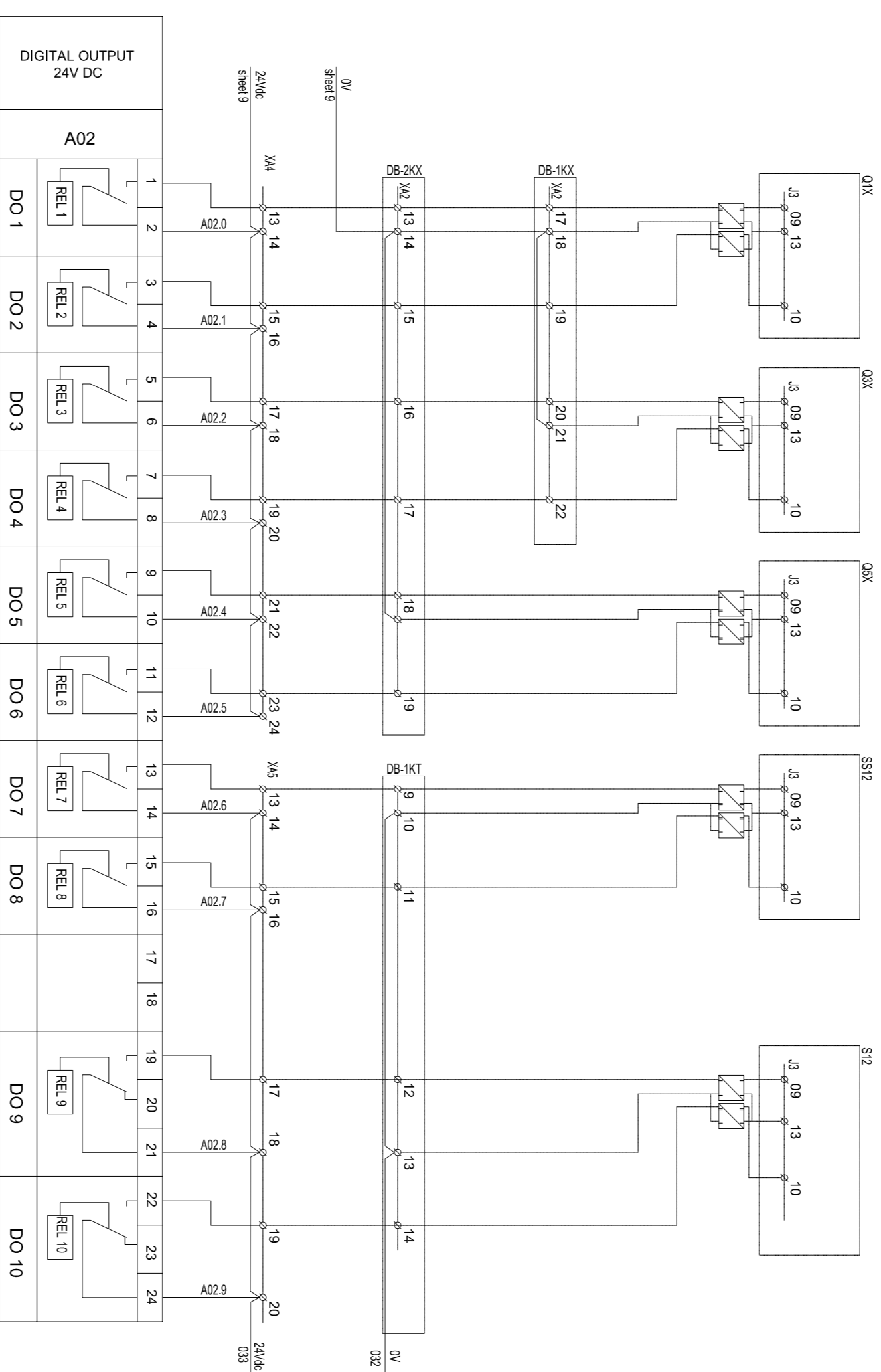


1 2 3 4 5 6 7 8 9 10



D					
C					
B					
A					
Index	Data	Modificare	Proiectant	Approbat	Approbat
		Modificati/revisi	Designer	Approved	Approved

GUVERNUL ROMANIEI  
ROMANIAN GOVERNMENT

PROIECT FINANȚAT DE UNIUNEA EUROPEANĂ  
EUROPEAN UNION FINANCED PROJECT



C.N.C.F. "C.F.R." - S.A.

CLIENT / CLIENT

**HALPERN**  
Scout  
Wilson

**OBERMEYER**  
FLAVEN + BERNTEN GmbH

**TECNIC**  
Consulting Engineers

CONSULTANT / CONSULTANT		CONSULTANT	
Approbat	Responsabil Proiect	R. Lutzza	Signature
Approved	Project Manager		
Approved	Coordonator Sectiune 1	C. Gambelli	11.2011
Verificat	Section 1 Coordinator		
Checked	Key Expert	G. Buffarini	11.2011

SUBCONTRACTANT / SUBCONTRACTOR		SUBCONTRACTOR	
Approbat	Responsabil Subcontractant	A. Stanescu - Dinulescu	11.2011
Approved	Subcontractor Responsible		
Executat	Proiectant	M. Priporeanu	11.2011

Redistribuirea liniei de cablu ferata Brasov - Sibiu, parte componenta a conditiilor IV Pan European, pentru circulația trenurilor cu viteza maxima de 160 km/h.  
Redistribution of the railway line Brasov - Sibiu, part of the IV Pan-European Corridor, for the trains circulation with maximum speed of 160 km/h.  
Section : Brasov - Sibiu/Șiștea

Denumire desen / Drawing Title :

STATA CF ARCHITAI ARCHITA RAILWAY STATION  
CIRCUITE SECUNDARE/SECONDARY CIRCUITS  
SCHEMA DE COMANDĂ SEPARATOARE  
DISCONNECTORS REMOTE CONTROL DIAGRAM

Codificare / Codification System

E	A	S	1	0	1	E	1	5	D	X	E	G	0	0	8	6	0	0	3	1
---	---	---	---	---	---	---	---	---	---	---	---	---	---	---	---	---	---	---	---	---

297X630