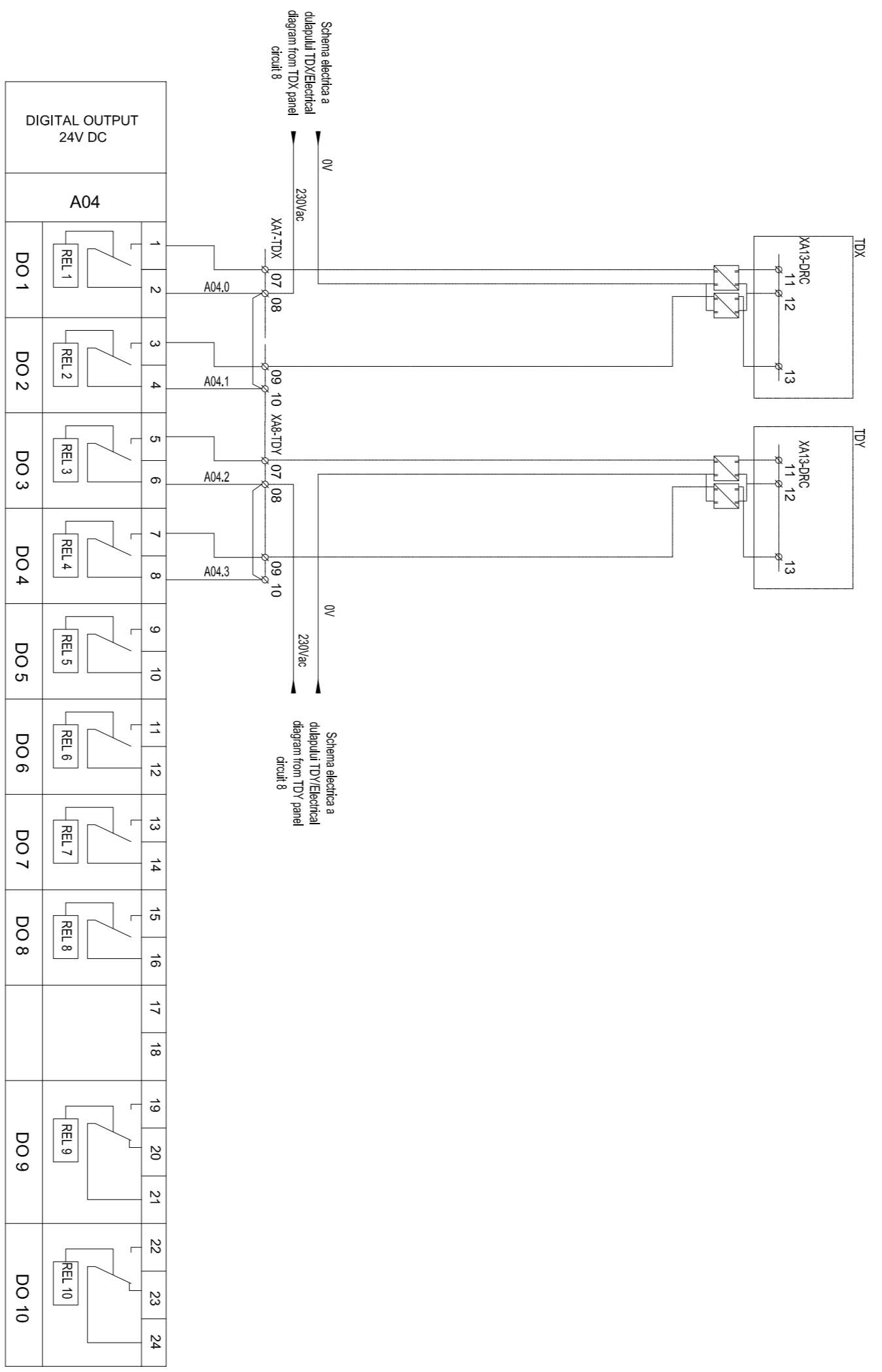


1 2 3 4 5 6 7 8 9 10



D					
C					
B					
A					
Index	Data	Modificare / Modification/Revision	Proiectant / Designer	Approbat / Approved	Approbat CFR / Approved CFR
GUVERNUL ROMANIEI / ROMANIAN GOVERNMENT PROIECT FINANȚAT DE UNIUNEA EUROPEANĂ / EUROPEAN UNION FINANCED PROJECT					

CLIENT / CLIENT

C.N.C.F. "C.F.R." - S.A.

CONSULTANT / CONSULTANT

TECNIC
Consulting Engineers

FLAVEN + BERNTEN GmbH

Approbat / Approved	Responsabil Subcontractant / Subcontractor Responsible	A. Stanescu - Dinulescu	11.2011	<i>[Signature]</i>
Verificat / Checked	Expert Chief / Key Expert	G. Bulfirni	11.2011	<i>[Signature]</i>

Redistribuirea liniei de cablu ferata Brasov - Sibiu, parte componenta a conditiilor IV Pan European, pentru circulatia trenurilor cu viteza maxima de 160 km/h.
 Renovation of the railway line Brasov - Sibiu, part of the IV Pan-European Corridor, for the trains circulation with maximum speed of 160 km/h.
 Section : Brasov - Sibiu/ Sibiu

Denumire desen / Drawing Title :
STATA CF ARCHITRA/ ARCHITRA RAILWAY STATION
CIRCUITE SECUNDARE/SECONDARY CIRCUITS
SCHEMA DE COMANDA SEPARATOARE
DISCONNECTORS REMOTE CONTROL DIAGRAM

Codificare / Codification System

E	A	S	1	0	1	E	1	5	D	X	E	G	0	0	8	6	0	0	3	1
---	---	---	---	---	---	---	---	---	---	---	---	---	---	---	---	---	---	---	---	---

Stara / Scale

Lot / LOT

Nr / No

12 / 18

297X630