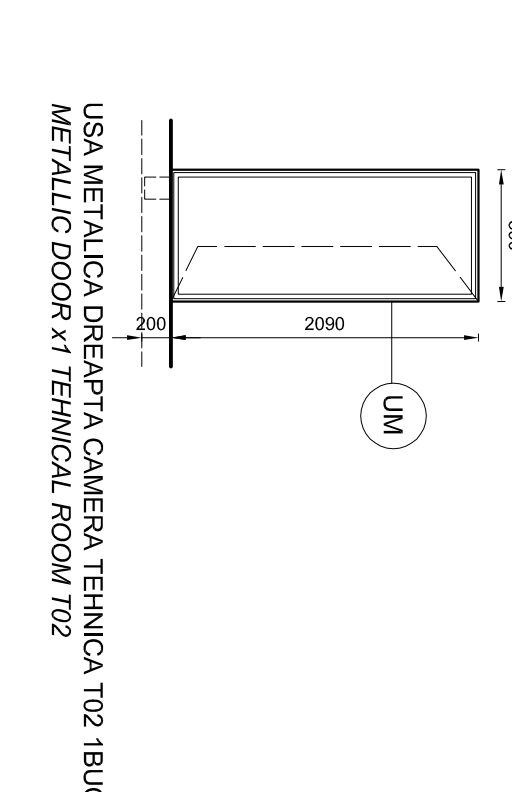
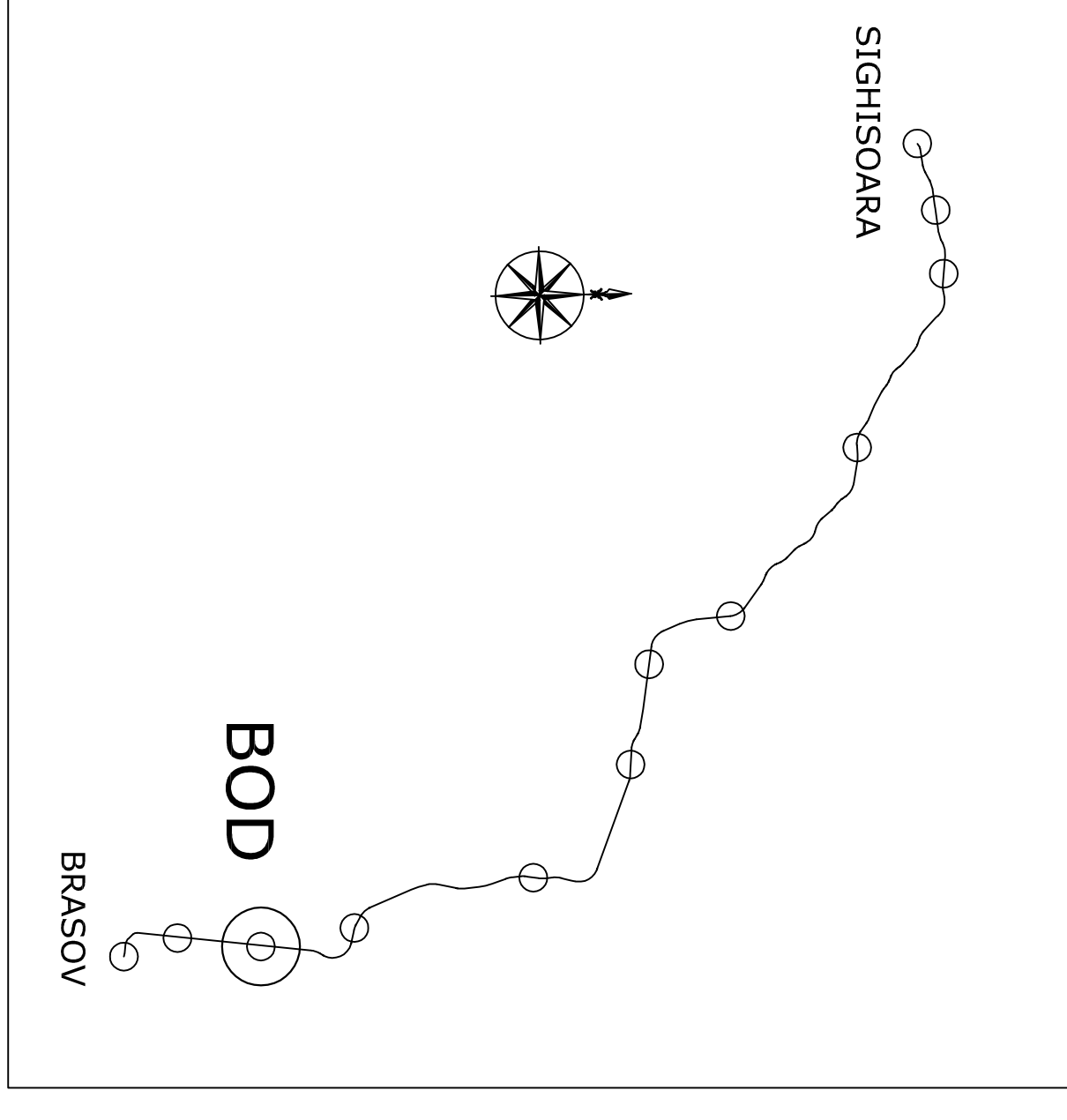


**TUNEL PIETONAL NOU
STATA CF BOD
NEW PEDESTRIAN TUNNEL
BOD RAILWAY STATION**



**PLAN TUNEL PIETONAL ACCESE PERONE STATA CF BOD 1/50
PEDESTRIAN TUNNEL PLATFORMS ACCES PLAN BOD RAILWAY STATION 1/50**

**PLAN TUNEL PIETONAL ACCESE PERONE STATA CF BOD 1/50
PEDESTRIAN TUNNEL PLATFORMS ACCES PLAN BOD RAILWAY STATION 1/50**

CLIENT CLIENT		C.N.C.F. - C.F.R. - S.A.	
CONTRACTOR CONTRACTOR		LE OBERMAYER	
CONSULTANT CONSULTANT		TECNIC	
DATE DATE		12.2011	
SCALE SCALE		1:50	
PROJECT PROJECT		TUNEL PIETONAL ACCESE PERONE STATA CF BOD - PEDESTRIAN TUNNEL PLATFORMS ACCES PLAN BOD RAILWAY STATION	
DESIGNER DESIGNER		LE OBERMAYER	
CHECKER CHECKER		TECNIC	
APPROVED APPROVED		LE OBERMAYER	
DATE DATE		12.2011	
SCALE SCALE		1:50	
PROJECT PROJECT		TUNEL PIETONAL ACCESE PERONE STATA CF BOD - PEDESTRIAN TUNNEL PLATFORMS ACCES PLAN BOD RAILWAY STATION	
DESIGNER DESIGNER		LE OBERMAYER	
CHECKER CHECKER		TECNIC	
APPROVED APPROVED		LE OBERMAYER	