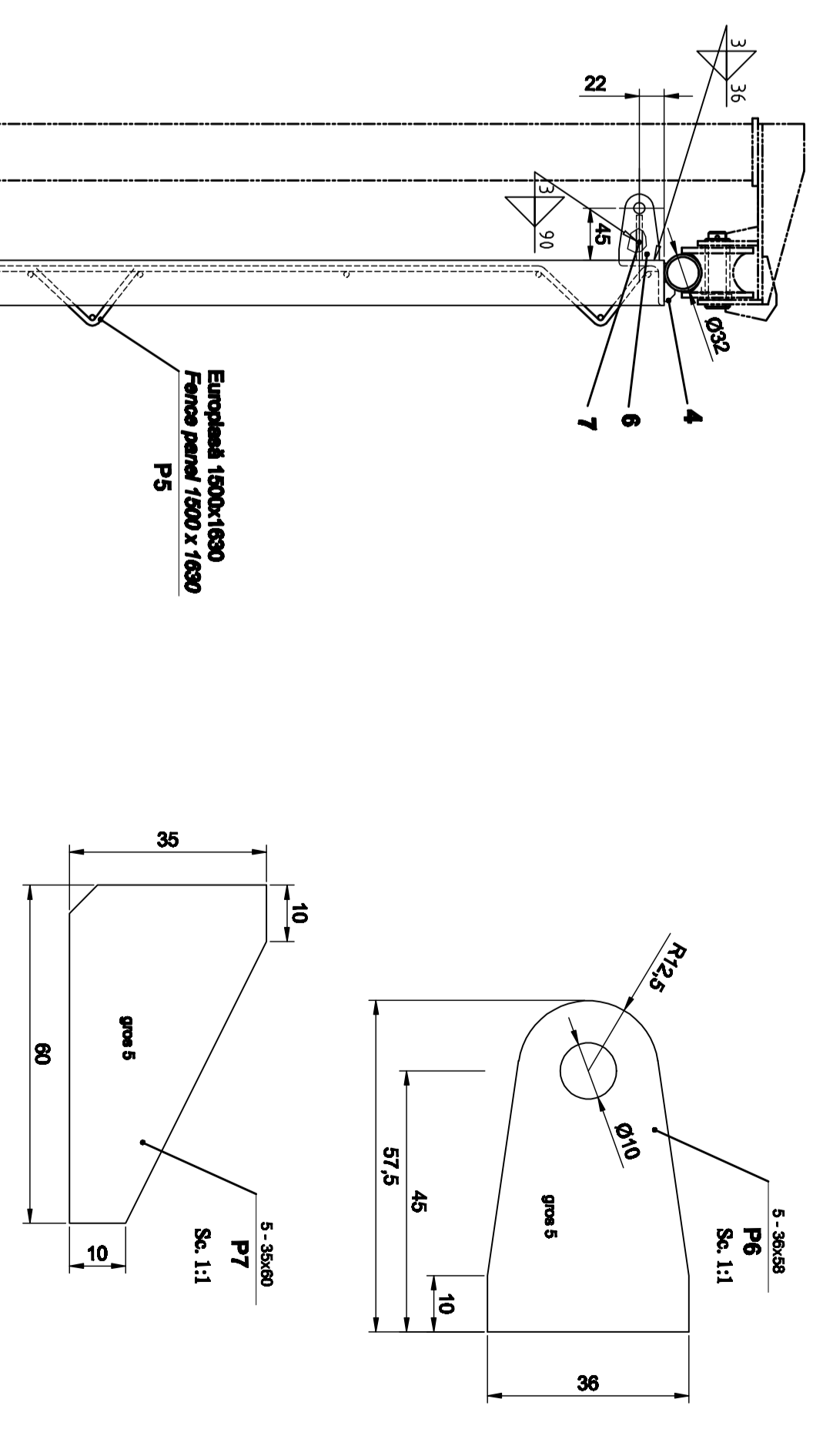
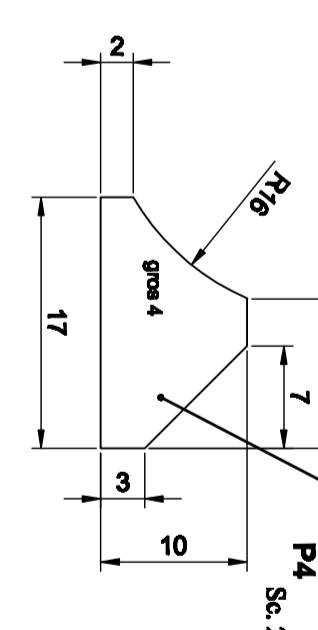


NOTE:

- Controlul calitatii generale de calitate conform STAS 7070:08
 - Controlul calitatii betonului conform STAS 7070:08
 - Controlul calitatii armazului conform STAS 7070:08
 - Controlul calitatii betonului conform STAS 7070:08
 - Controlul calitatii betonului conform STAS 7070:08

ESTIMABILITATEA MATERIALULUI

Proiect	Descriere	Unitate	Cantitate	Pondere	Valoare	Valoare
1	Lăcătușerie	CM 10/20	2	2000	2,00	17,54
2	Lăcătușerie	CM 10/20	2	2000	2,00	17,54
3	Tr 4 - 10 x 17	CM 10/20	7	17	1,19	10,40
4	Tr 4 - 10 x 17	CM 10/20	7	17	1,19	10,40
5	Tr 5 - 30 x 30	CM 10/20	2	11,24	22,48	194,62
6	Tr 5 - 30 x 30	CM 10/20	1	5,62	11,24	97,31
7	Tr 5 - 30 x 30	CM 10/20	1	5,62	11,24	97,31
TOTAL OBIECTIVE / TOTAL MATERII						604,83



0							
1							
2							
3							
4							
5							
6							
7							
8							
9							
10							

CLIENT / CLIENT

CONSULTANT / CONSULTANT

SUBCONTRACTANT / SUBCONTRACTOR

CLIENT / CLIENT

CONSULTANT / CONSULTANT

SUBCONTRACTANT / SUBCONTRACTOR

CLIENT / CLIENT

CONSULTANT / CONSULTANT

SUBCONTRACTANT / SUBCONTRACTOR

CLIENT / CLIENT

CONSULTANT / CONSULTANT

SUBCONTRACTANT / SUBCONTRACTOR

CLIENT / CLIENT

CONSULTANT / CONSULTANT

SUBCONTRACTANT / SUBCONTRACTOR

CLIENT / CLIENT

CONSULTANT / CONSULTANT

SUBCONTRACTANT / SUBCONTRACTOR

CLIENT / CLIENT

CONSULTANT / CONSULTANT

SUBCONTRACTANT / SUBCONTRACTOR

1.25411(0503594)=0.625m