

PLACA tip 6' CONTRASINA de BETON ARMAT - 64x64x14 cm
PRECAST PLATE type 6' REINFORCED CONCRETE COUNTER-RAIL - 64x64x14 cm

- 4 buc. / 4 pcs.-

MATERIALE / MATERIALS

- BETON VIBRAT cu agregat din piatra sparta
VIBRATED CONCRETE with crushed stone aggregate
C18/22.5 (Bc22.5) CEM II/A-S 32.5N ; sort 0-16; A/C : 0.65; T3
- ARMATURA / REINFORCEMENT : OB37
- ACOPERIRE / COVERING : 4 cm
- CORNIER / ANGLE BAR -1 buc./pcs.-
30x45x4 mm, L = 64 cm 0.64x2.25 = 1.44 kg

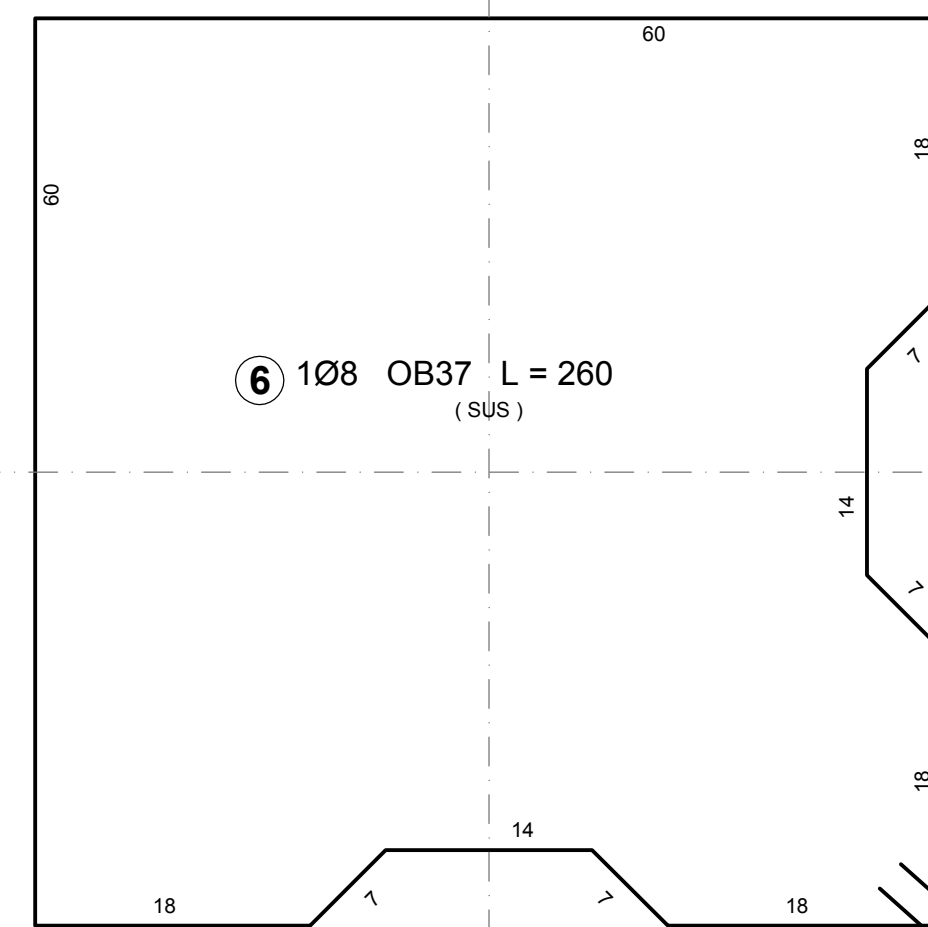
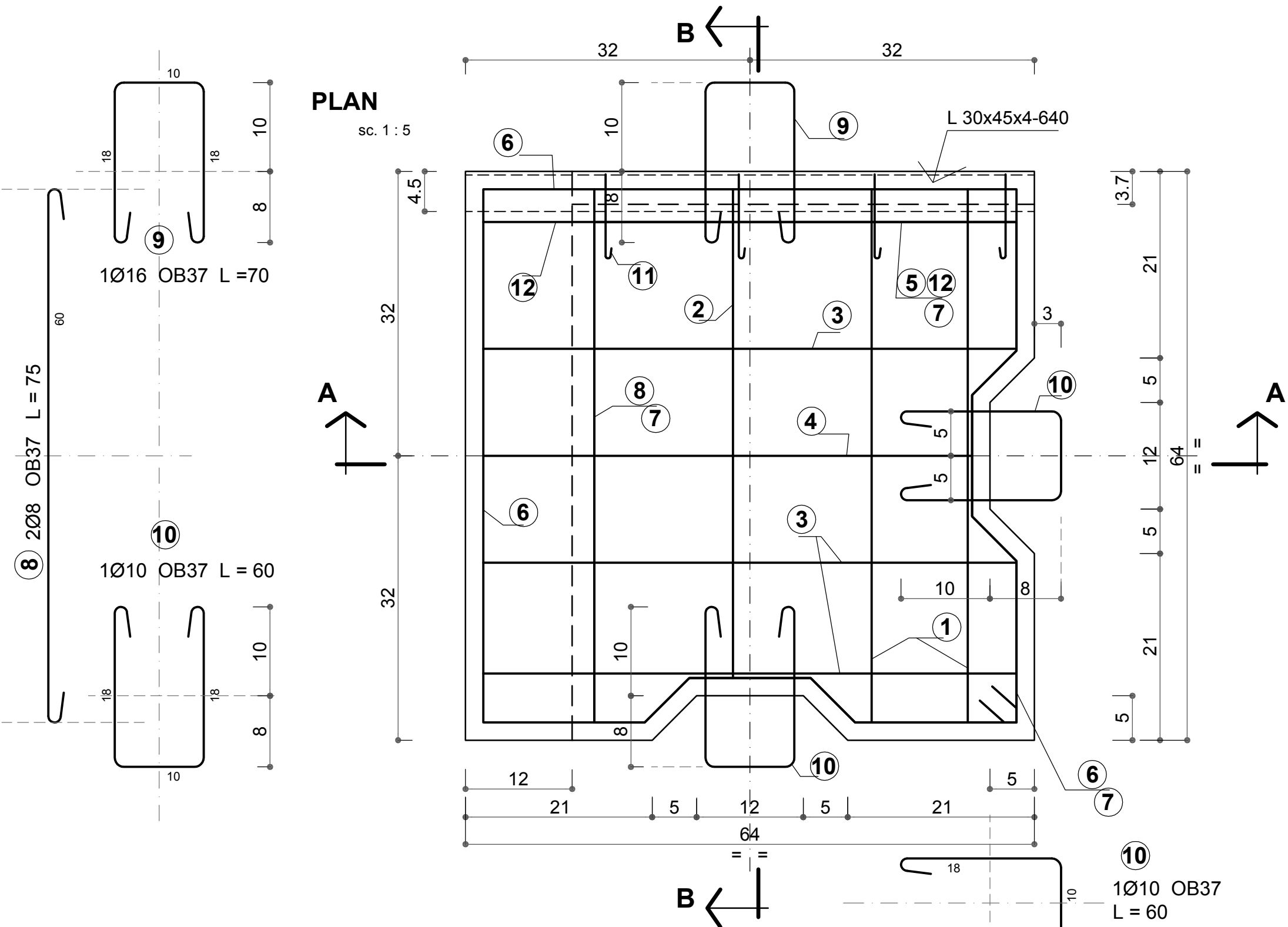
CARACTERISTICI PREFABRICATE
PREFABRICATED CHARACTERISTICS

TIP PREFABRICAT PREFAB.ELEM.TYPE	VOLUM BETON Bc22.5 CONCRETE VOL. Bc22.5 - m ³ -	MASA ELEMENT ELEMENT MASS	COFRAJ SHUTTERING - m ² -	MARCA OTEL STEEL MARK - kg.-	TOTAL ARMATURA REINFORCEMENT - TOTAL
6'	0.05 m ³	125 kg	0.77	OB37	9.0
TOTAL 4 buc. TOTAL 4 pcs.	0.20 m ³	500 kg	3.08	36.0	36.0

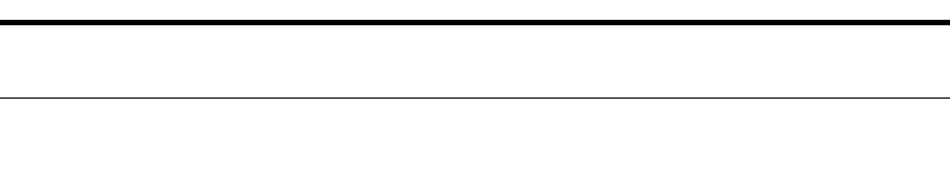
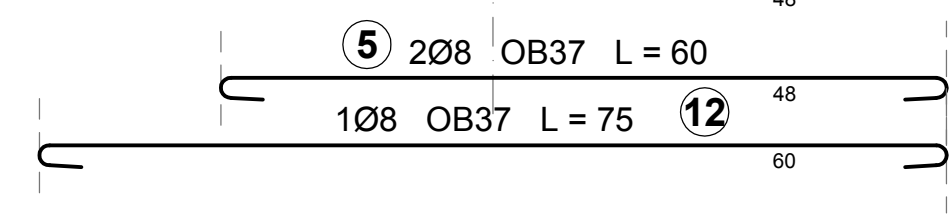
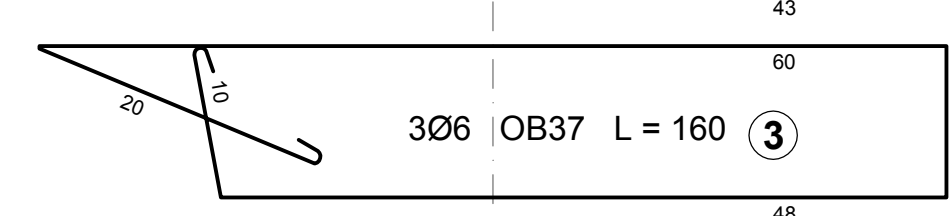
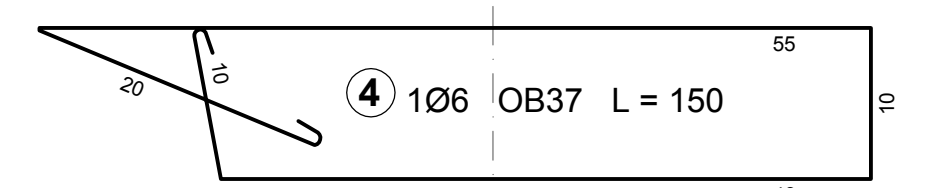
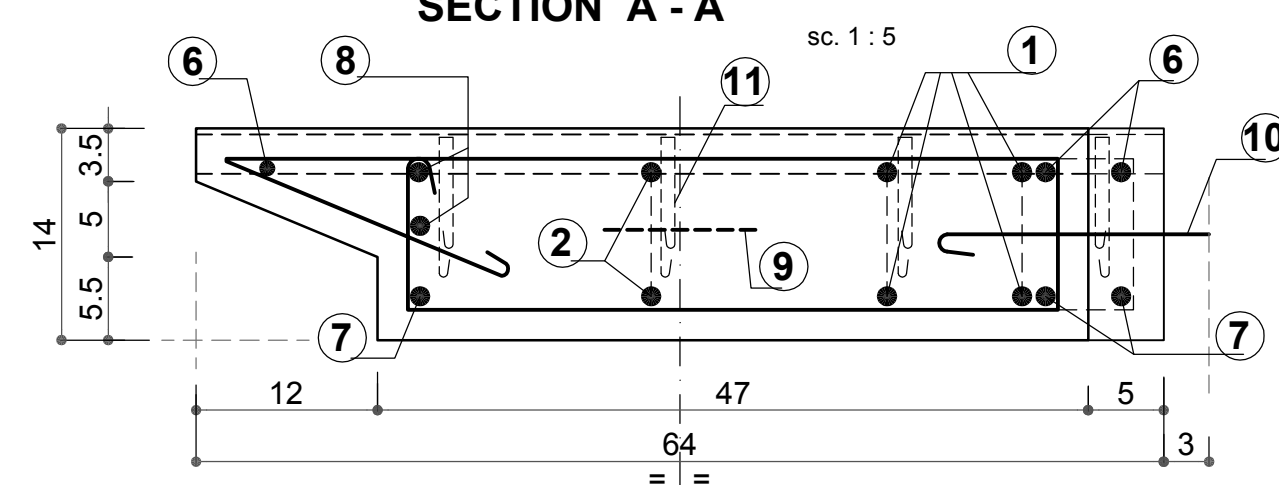
TABLOU ARMARE
REINFORCEMENT TABLE

ELEM. ELEMENT	MARCA MARK	Ø.	NR. BUC. No. of PCS.	LUNG. BARA BAR LENGTH - m -	LUNGIMI / DIAM. - LENGTHS / Ø.			
					OB37			
PLACA PREF. tip 6' CONTRASINA B.A.	1	6	2	1.60	3.2	Ø 8	Ø 10	Ø 16
	2	6	1	1.50	1.5			
	3	6	3	1.60	4.8			
	4	6	1	1.50	1.5			
	5	8	2	0.60		1.2		
	6	8	1	2.60		2.6		
	7	8	1	2.35		2.4		
	8	8	2	0.75		1.5		
	9	16	1	0.70				0.7
	10	10	2	0.60			1.2	
	11	6	4	0.35	1.4			
	12	8	1	0.75		0.8		
LUNGIME / DIAMETRE					12.4	8.4	1.2	0.7
GREUTATE / m. / DIAMETRE					0.222	0.395	0.617	1.578
GREUTATE / DIAMETRE					2.8	3.3	0.7	1.1
TOTAL (rot.) kg. :					3.0	3.5	1.0	1.5
TOTAL GENERAL (OB37) kg. :					9.0			

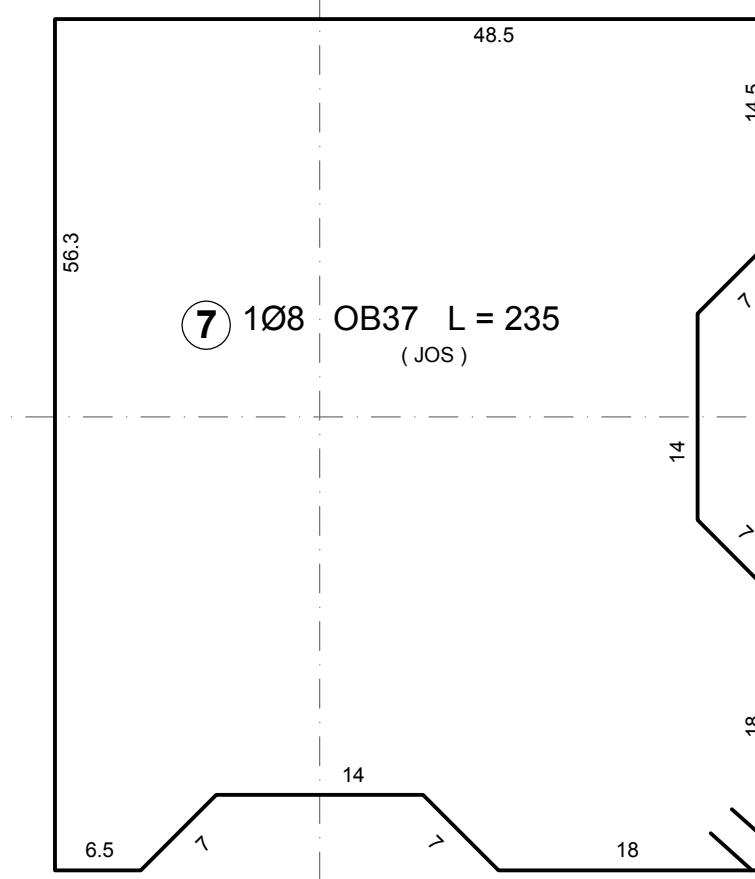
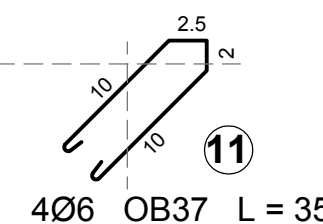
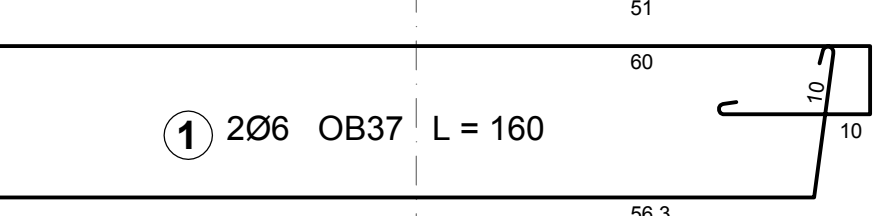
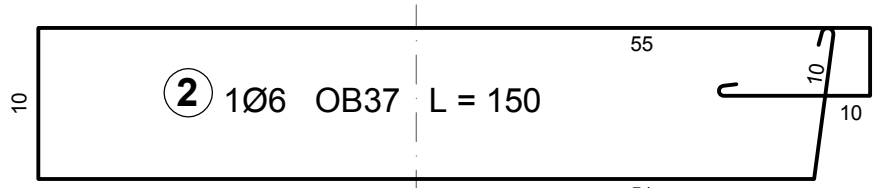
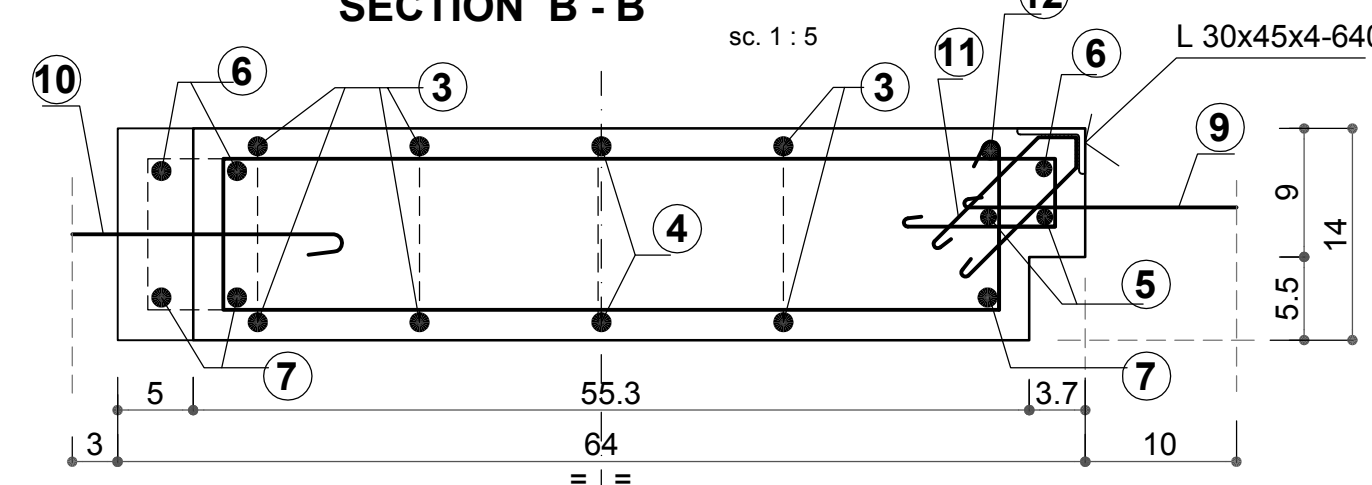
* BARELE DE ARMATURA SUNT CALCULATE PENTRU O SINGURA PLACA PREFABRICATA
 THE REINFORCING BARS ARE CALCULATED FOR A SINGLE ONE PRECAST PLATE.



SECTIUNEA A - A
SECTION A - A



SECTIUNEA B - B
SECTION B - B



Indice	Data	Modificare	Proiectant	Aprobat Consultant	Aprobat CFR
Index	Date	Modification/Revision	Designer	Approved Consultant	Approved CFR
D					
C					
B					
A					



C.N.C.F. "C.F.R." - S.A.

CLIENT / CLIENT



CONSULTANT / CONSULTANT

Aprobat	Sef proiect		Data	Semnatura
Approved	Project manager		Date	Signature
	R. Liuzza		12.2011	
	C. Gambelli		12.2011	
	Giuseppe Fioravanti		12.2011	

SUBCONTRACTANT / SUBCONTRACTOR

Aprobat	Responsabil		Data	Semnatura
Approved	Subconsultant		Date	Signature
	A. Stanciu - Dinulescu		12.2011	
	Georgescu Toma Cristian		12.2011	

Reabilitarea liniei de cale ferata Braşov - Simeria, parte componentă a coridorului IV Pan European, pentru circulația trenurilor cu viteza maximă de 160 km/h,
Tronsonul : Braşov - Sighişoara
 Rehabilitation of the railway line Braşov - Simeria, component Part of the IV Pan-European Corridor, for the trains circulation with maximum speed of 160 km/h,
Section : Braşov - Sighişoara

Project/Project
2004/RO/16/PA/003

Faza / Phase:
D.E. / E.D.

Denumire desen / Drawing Title :
SUBSTATIE TRACTIUNE - CONSTRUCTII EXTERIOARE - TRACTION SUBSTATION - OUTDOOR CONSTRUCTION

PLACA CONTRASINA PREFABRICATA DE BETON ARMAT tip 6' - 64x64x14 cm
PRECAST COUNTER-RAIL REINFORCED CONCRETE PLATE type 6' - 64x64x14 cm

Codificare / Codification System	Scara / Scale	LOT / LOT	Nr. / No
	1:5		01 / 01

E A 5 1 0 1 E 0 0 B Y A C 0 0 0 4 0 1 2 0