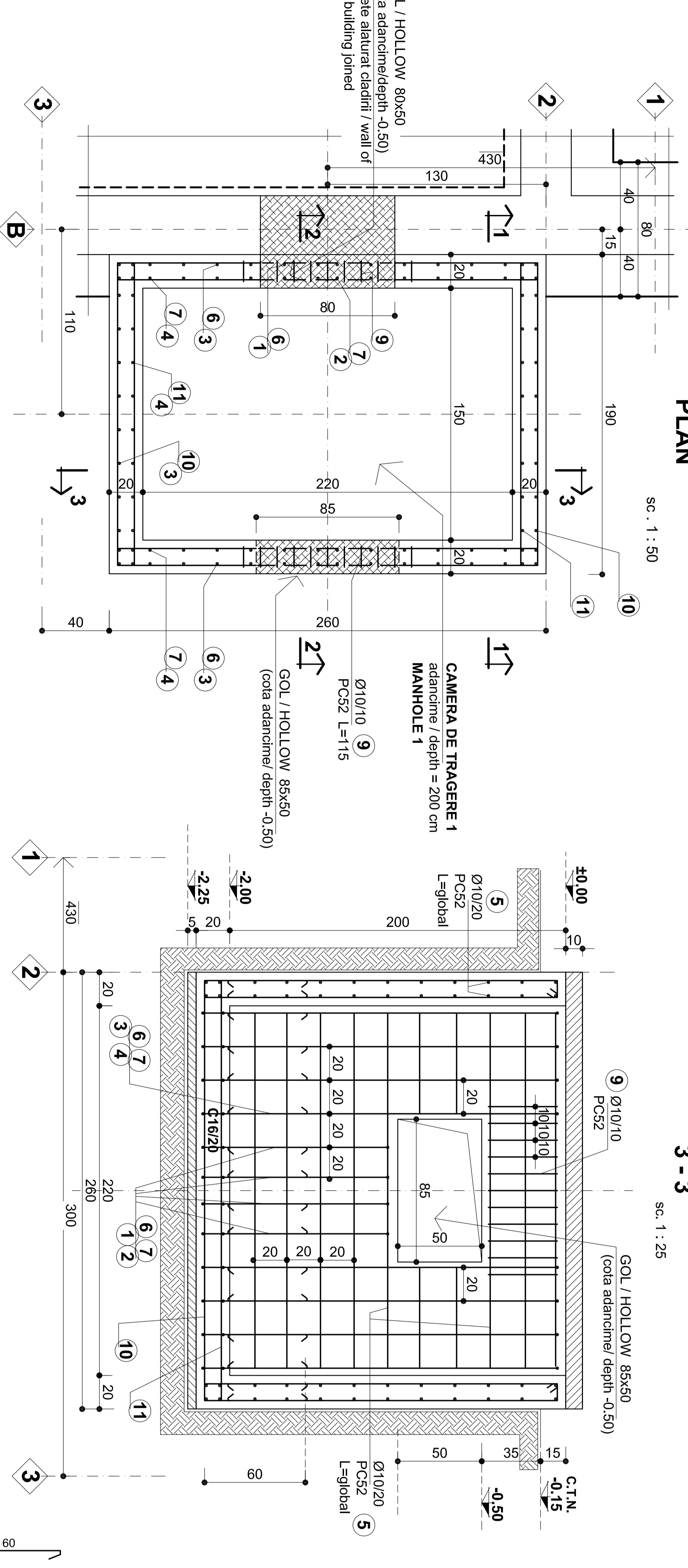
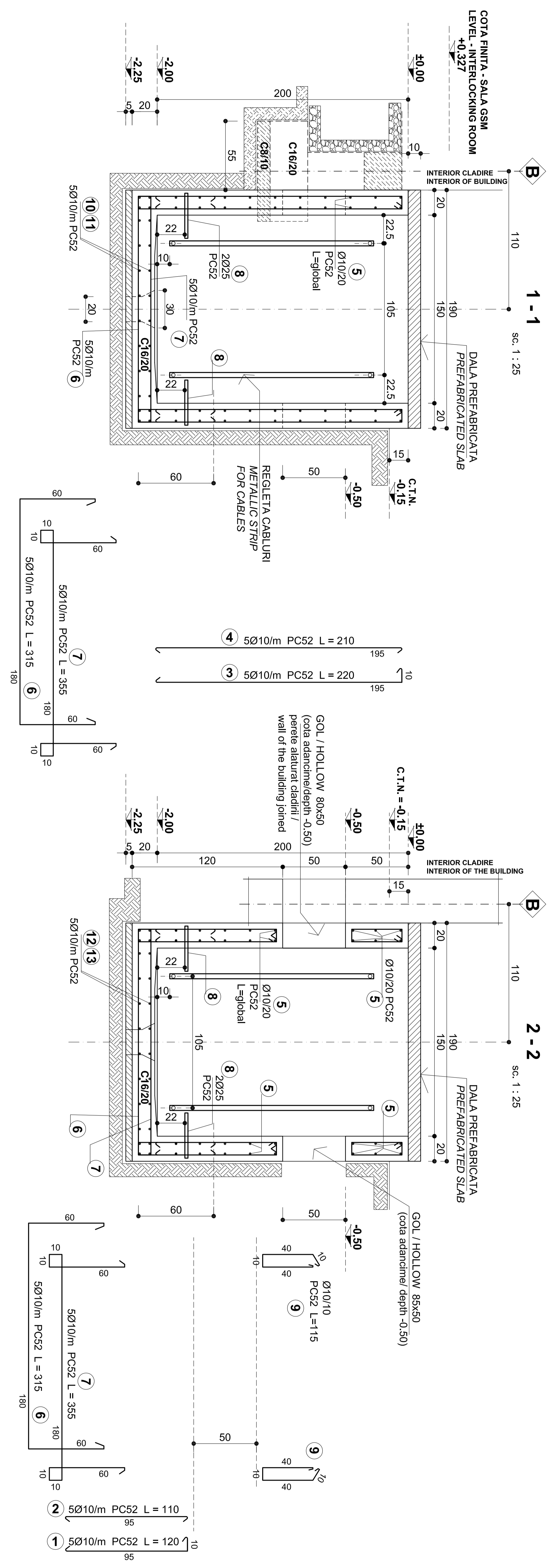


TABLEAU ARMARE - REINFORCEMENT TABLE

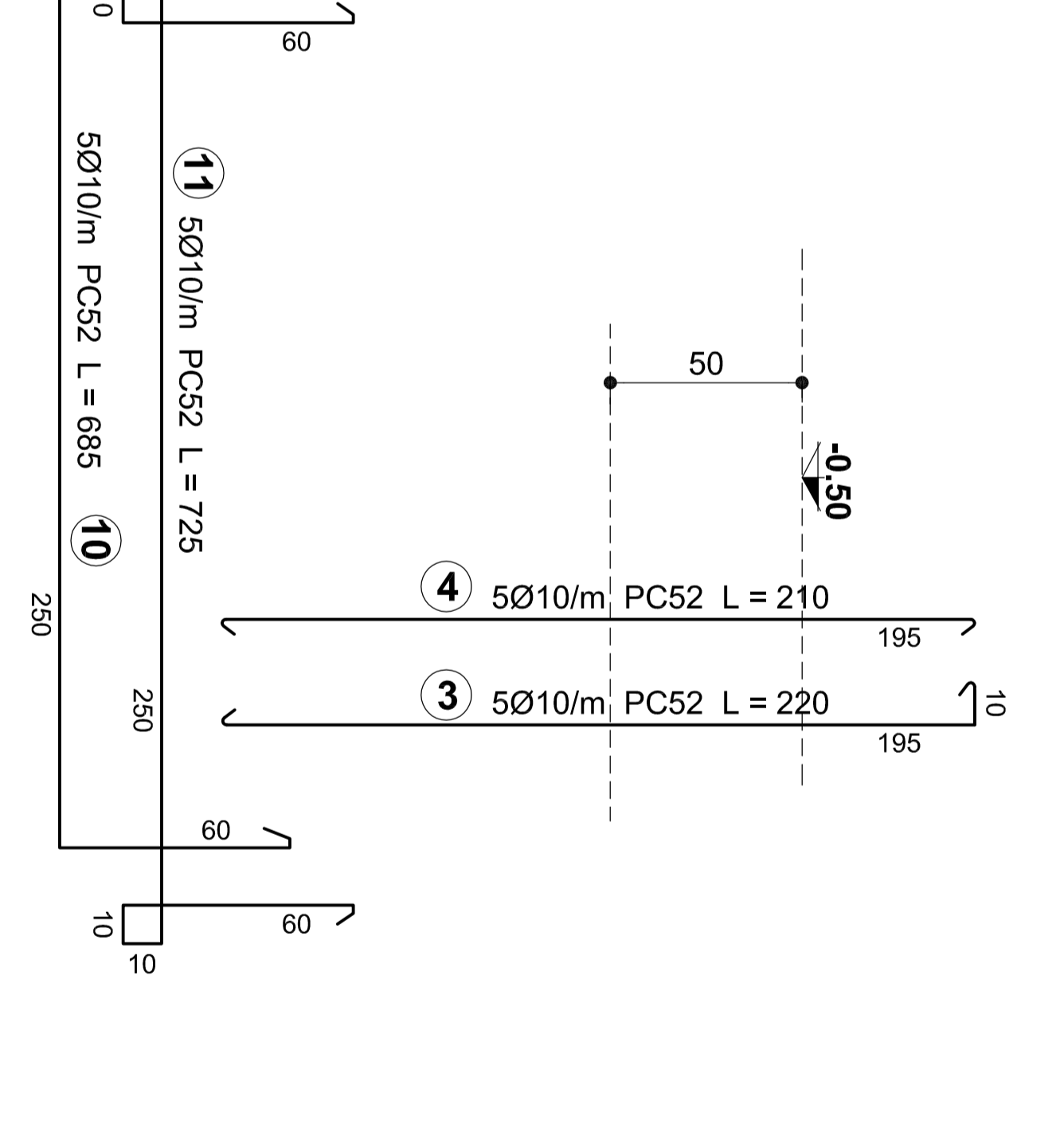
ELEM.	MARCA	Ø	NR. BUC.	LUNG. -m.-	LUNG./DIAM. PC52	
1	10	8	120	9.6	0.25	
2	10	8	110	8.8		
3	10	48	2.20	105.6		
4	10	48	1.95	93.6		
5	10	1	220.00	220.0		
6	10	16	3.15	50.4		
7	10	16	3.55	56.8		
8	25	4	1.00	56.8	4.0	
9	10	22	1.15	25.3		
10	10	12	6.85	82.2		
11	10	12	7.25	87.0		
LUNGIME/ DIAMETRE					739.3	4.0
LUNGIME/ m / DIAMETRE					0.617	3.853
GREUTATE / DIAMETRE					456.1	15.4
TOTAL KG. :					4720	

CAMERA TRAGERE 1 tip X
X-type MANHOLE 1



Amplasamentul containerelor
APATA-RACOS: km 213+050
RACOS-CATA: km 226+340
CATA-ARCHITA: km 247+150

BETON ARMAT - REINFORCED CONCRETE : C16/20
BETON SIMPLU - PLAIN CONCRETE : C8/10
OTEL BETON - REINFORCING STEEL : PC52
MARCA MORTAR - CLASS OF MORTAR : M100



CLIENT / CLIENT

C.N.C.F. "C.F.R." - S.A.

GUVERNUL ROMANIEI
ROMANIAN GOVERNMENT

PROIECT FINANȚAT DE UNIUNEA EUROPEANA
EUROPEAN UNION FINANCED PROJECT

CONSULTANT / CONSULTANT

SCOTT WILSON

OBERMEYER
FLAMEN + BERATEN GmbH

TECNIC
Consulting Engineers

Approved	Project manager	Date	Signature
Approved	R. Luzzi	12.2011	
Approved	C. Gambelli	12.2011	
Verified	Expert Verifier	12.2011	
Checked	Checking Expert		

SUBCONTRACTANT / SUBCONTRACTOR

AREX

Approved	Responsabil Subcontractant	Date	Signature
Approved	A. Stancliu - Dinulescu	12.2011	
Elaborat	Designer	12.2011	

Reabilitarea liniei de cale ferata Brasov - Sibieria, parte componenta a coridorului IV Pan European, pentru circulatia trenurilor cu viteza maxima de 160 km/h, Tronsoani : Brasov - Sighisoara
 Rehabilitation of the railway line Brasov - Sibieria, component Part of the IV Pan-European Corridor, for the trains circulation with maximum speed of 160 km/h,
 Section : Brasov - Sighisoara

Project/Project
Faza / Phase:
D.E. / E.D.

Denumire desen / Drawing Title :

PLAN SI DETALII CAMERA DE TRAGERE 1 - Cladire container C.E. tip
PLAN and DETAILS MANHOLE 1 - Typical I.S. shelter building

Codificare / Codification System

Scara / Scale
 1:25 1:50

Lot / LOT

Nr. / No
 01 / 01