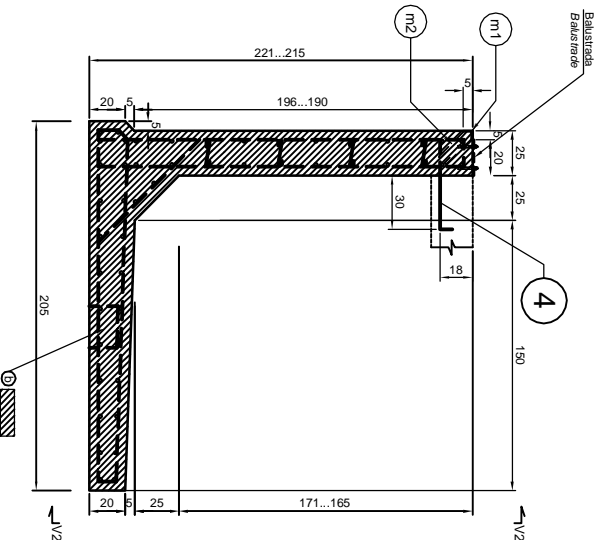
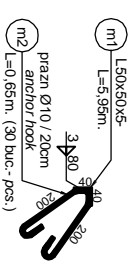


**SECTIUNEA 3-3 DIN BETON ARMAT MONOLIT - COFRAJ
MONOLITH REINFORCED CONCRETE SECTION 3-3 - ENCASUREMENT**

SC. 1:20

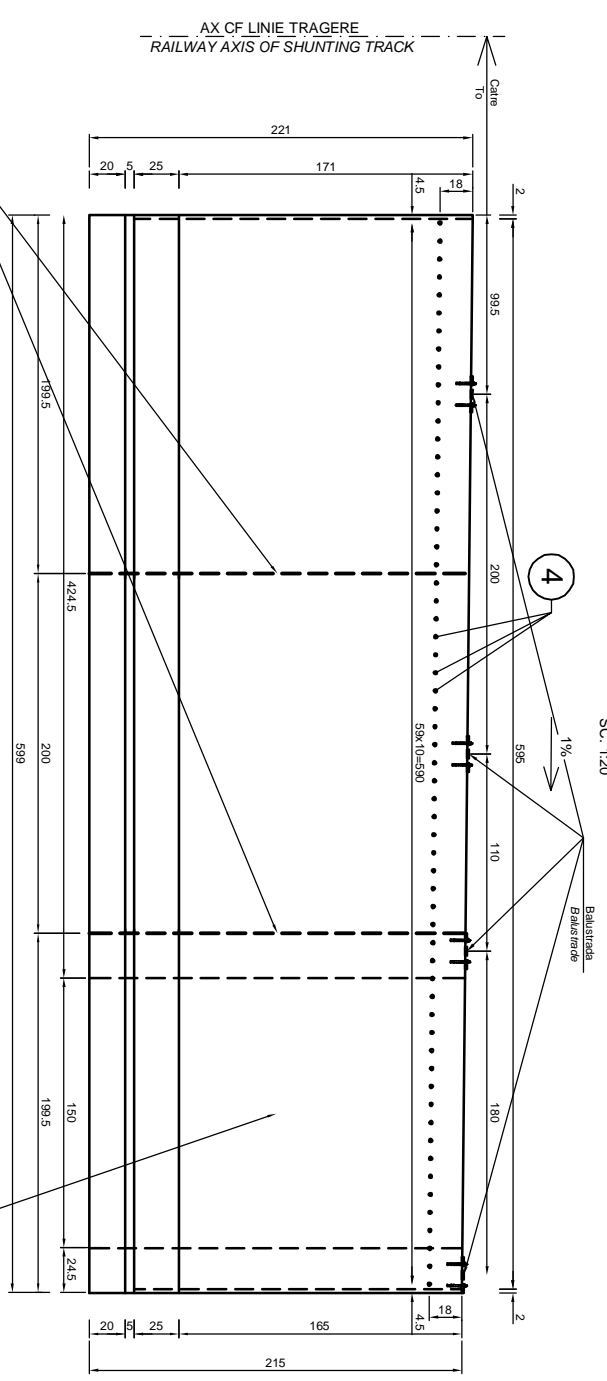


SC. 1:10 cotel dimensions in mm



m1 - L50x50x5 - 1buc. x 5.95m. x 3.77kg/m. = 23.10kg
 m2 - Ø10 OB37 - 30buc. x 0.65m. = 19.50m. x 0.617kg/m. = 12.4kg.
 OTEL / STEEL : S235J2G3 (Q137) TOTAL = 35.5kg.

VEDERE V2 - V2
SC. 1:20



Rost concrete si fisura
Joint of concrete and cracking

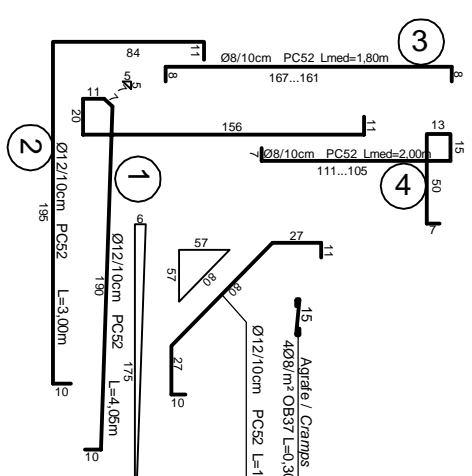
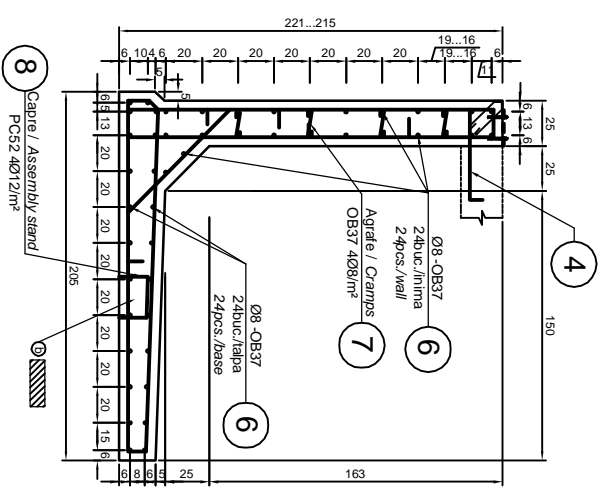
EXTRAS ARMATURA BILL OF REINFORCEMENT

Marca	Ø	Lungimea Bar length	Nr. Baze No. pos.	Lungimi pe diametre / Lengths on diameters	Ø8	Ø8	Ø12
1	12	4.05	60				243.00
2	12	3.00	60				180.00
3	8	1.80	60			108.00	
4	8	2.00	60			120.00	
5	12	1.55	60				93.00
6	8	5.90	48		283.20		
7	8	0.30	48		14.40		
8	12	0.75	48			36.00	
Lungimi totale pe Ø				297.60	228.00	552.00	
Greutate pe ml.				0.385	0.395	0.888	
Greutate totale pe Ø				117.60	90.10	490.20	
GREUTATE TOTALA Kg					117.60	580.30	

- ⊗ BETON ARMAT vibrat : C 25/30 -P4-T3-1/A 32.5/0...16
- ▨ LAMINATE : S235J2G3 (Q137)
- ⊗ REINFORCED CONCRETE, vibrat : C 25/30 -P4-T3-1/A 32.5/0...16
- ⊗ REINFORCEMENT : OB37; PC52
- ▨ ROLLED STEEL : S235J2G3 (Q137)

**SECTIUNEA 3-3 DIN BETON ARMAT MONOLIT - ARMARE
MONOLITH REINFORCED CONCRETE SECTION 3-3 - REINFORCING**

SC. 1:20



NOTA
Pentru toate armaturile, raza donului de indoire
va fi egala cu 3d
NOTE
For all reinforcements, the radius of mandrel for
bending is equal to 3d

<p>CLIENT / CLIENT</p> <p align="center">C.N.C.F. "CFR" - S.A.</p>	
<p>CONSULTANT / CONSULTANT</p> <p>TECNIC Consulting Engineers</p>	
<p>SUBCONTRACTANT / SUBCONTRACTOR</p> <p>A. Simbirlu - Dnieleacu</p>	
<p>Approved: _____</p> <p>Project manager: R. Lutzan</p>	<p>Date: 12.2011</p>
<p>Approved: _____</p> <p>Coordinator Site/Task: C. Gambelli</p>	<p>Date: 12.2011</p>
<p>Approved: _____</p> <p>Site/Task manager: Giuseppe Fioravanti</p>	<p>Date: 12.2011</p>
<p>REVISIONS</p> <p>No. / Rev. / Date / Description</p>	
<p>1 / 0 / 12.2011 / _____</p>	
<p>2 / 0 / 12.2011 / _____</p>	
<p>3 / 0 / 12.2011 / _____</p>	
<p>4 / 0 / 12.2011 / _____</p>	
<p>5 / 0 / 12.2011 / _____</p>	
<p>6 / 0 / 12.2011 / _____</p>	
<p>7 / 0 / 12.2011 / _____</p>	
<p>8 / 0 / 12.2011 / _____</p>	
<p>9 / 0 / 12.2011 / _____</p>	
<p>10 / 0 / 12.2011 / _____</p>	
<p>11 / 0 / 12.2011 / _____</p>	
<p>12 / 0 / 12.2011 / _____</p>	
<p>13 / 0 / 12.2011 / _____</p>	
<p>14 / 0 / 12.2011 / _____</p>	
<p>15 / 0 / 12.2011 / _____</p>	
<p>16 / 0 / 12.2011 / _____</p>	
<p>17 / 0 / 12.2011 / _____</p>	
<p>18 / 0 / 12.2011 / _____</p>	
<p>19 / 0 / 12.2011 / _____</p>	
<p>20 / 0 / 12.2011 / _____</p>	
<p>21 / 0 / 12.2011 / _____</p>	
<p>22 / 0 / 12.2011 / _____</p>	
<p>23 / 0 / 12.2011 / _____</p>	
<p>24 / 0 / 12.2011 / _____</p>	
<p>25 / 0 / 12.2011 / _____</p>	
<p>26 / 0 / 12.2011 / _____</p>	
<p>27 / 0 / 12.2011 / _____</p>	
<p>28 / 0 / 12.2011 / _____</p>	
<p>29 / 0 / 12.2011 / _____</p>	
<p>30 / 0 / 12.2011 / _____</p>	
<p>31 / 0 / 12.2011 / _____</p>	
<p>32 / 0 / 12.2011 / _____</p>	
<p>33 / 0 / 12.2011 / _____</p>	
<p>34 / 0 / 12.2011 / _____</p>	
<p>35 / 0 / 12.2011 / _____</p>	
<p>36 / 0 / 12.2011 / _____</p>	
<p>37 / 0 / 12.2011 / _____</p>	
<p>38 / 0 / 12.2011 / _____</p>	
<p>39 / 0 / 12.2011 / _____</p>	
<p>40 / 0 / 12.2011 / _____</p>	
<p>41 / 0 / 12.2011 / _____</p>	
<p>42 / 0 / 12.2011 / _____</p>	
<p>43 / 0 / 12.2011 / _____</p>	
<p>44 / 0 / 12.2011 / _____</p>	
<p>45 / 0 / 12.2011 / _____</p>	
<p>46 / 0 / 12.2011 / _____</p>	
<p>47 / 0 / 12.2011 / _____</p>	
<p>48 / 0 / 12.2011 / _____</p>	
<p>49 / 0 / 12.2011 / _____</p>	
<p>50 / 0 / 12.2011 / _____</p>	
<p>51 / 0 / 12.2011 / _____</p>	
<p>52 / 0 / 12.2011 / _____</p>	
<p>53 / 0 / 12.2011 / _____</p>	
<p>54 / 0 / 12.2011 / _____</p>	
<p>55 / 0 / 12.2011 / _____</p>	
<p>56 / 0 / 12.2011 / _____</p>	
<p>57 / 0 / 12.2011 / _____</p>	
<p>58 / 0 / 12.2011 / _____</p>	
<p>59 / 0 / 12.2011 / _____</p>	
<p>60 / 0 / 12.2011 / _____</p>	
<p>61 / 0 / 12.2011 / _____</p>	
<p>62 / 0 / 12.2011 / _____</p>	
<p>63 / 0 / 12.2011 / _____</p>	
<p>64 / 0 / 12.2011 / _____</p>	
<p>65 / 0 / 12.2011 / _____</p>	
<p>66 / 0 / 12.2011 / _____</p>	
<p>67 / 0 / 12.2011 / _____</p>	
<p>68 / 0 / 12.2011 / _____</p>	
<p>69 / 0 / 12.2011 / _____</p>	
<p>70 / 0 / 12.2011 / _____</p>	
<p>71 / 0 / 12.2011 / _____</p>	
<p>72 / 0 / 12.2011 / _____</p>	
<p>73 / 0 / 12.2011 / _____</p>	
<p>74 / 0 / 12.2011 / _____</p>	
<p>75 / 0 / 12.2011 / _____</p>	
<p>76 / 0 / 12.2011 / _____</p>	
<p>77 / 0 / 12.2011 / _____</p>	
<p>78 / 0 / 12.2011 / _____</p>	
<p>79 / 0 / 12.2011 / _____</p>	
<p>80 / 0 / 12.2011 / _____</p>	
<p>81 / 0 / 12.2011 / _____</p>	
<p>82 / 0 / 12.2011 / _____</p>	
<p>83 / 0 / 12.2011 / _____</p>	
<p>84 / 0 / 12.2011 / _____</p>	
<p>85 / 0 / 12.2011 / _____</p>	
<p>86 / 0 / 12.2011 / _____</p>	
<p>87 / 0 / 12.2011 / _____</p>	
<p>88 / 0 / 12.2011 / _____</p>	
<p>89 / 0 / 12.2011 / _____</p>	
<p>90 / 0 / 12.2011 / _____</p>	
<p>91 / 0 / 12.2011 / _____</p>	
<p>92 / 0 / 12.2011 / _____</p>	
<p>93 / 0 / 12.2011 / _____</p>	
<p>94 / 0 / 12.2011 / _____</p>	
<p>95 / 0 / 12.2011 / _____</p>	
<p>96 / 0 / 12.2011 / _____</p>	
<p>97 / 0 / 12.2011 / _____</p>	
<p>98 / 0 / 12.2011 / _____</p>	
<p>99 / 0 / 12.2011 / _____</p>	
<p>100 / 0 / 12.2011 / _____</p>	