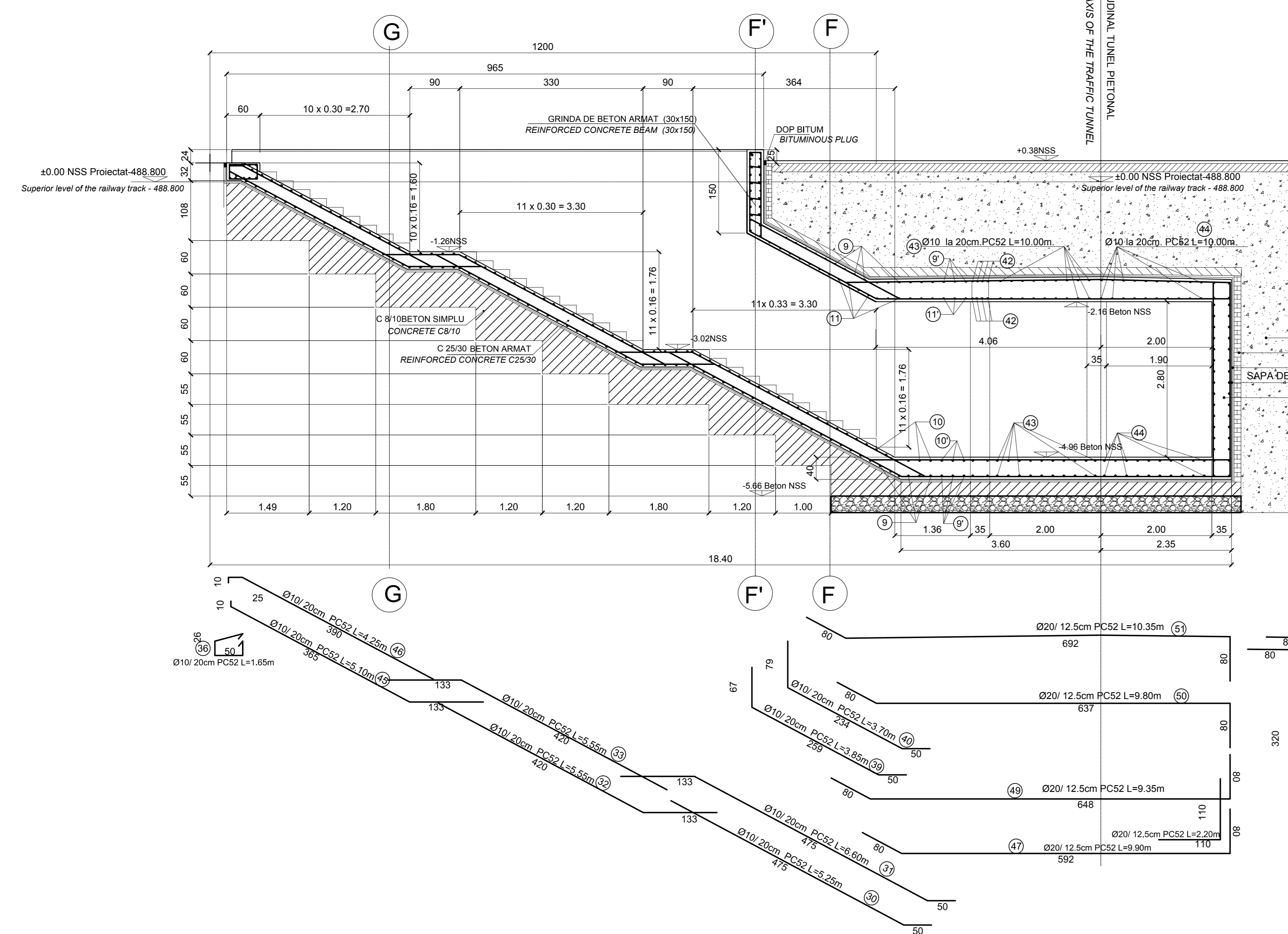


SECTIUNE : B-B scara 1:50
SECTION : B-B scale 1:50

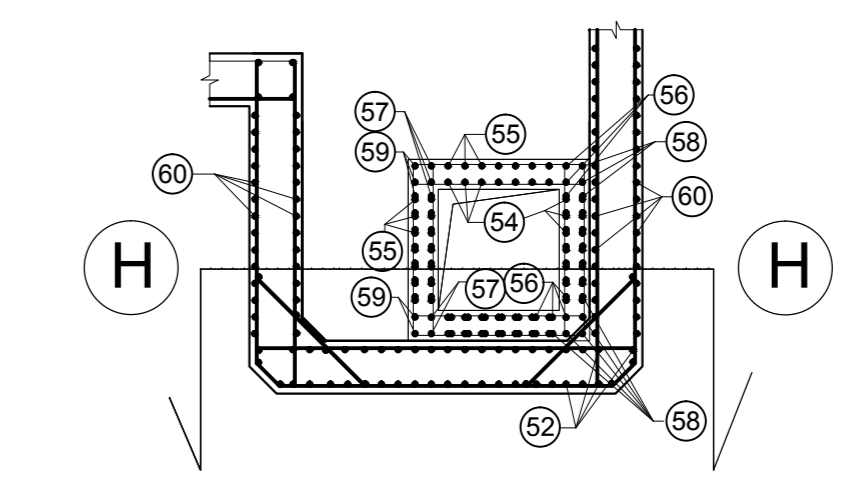
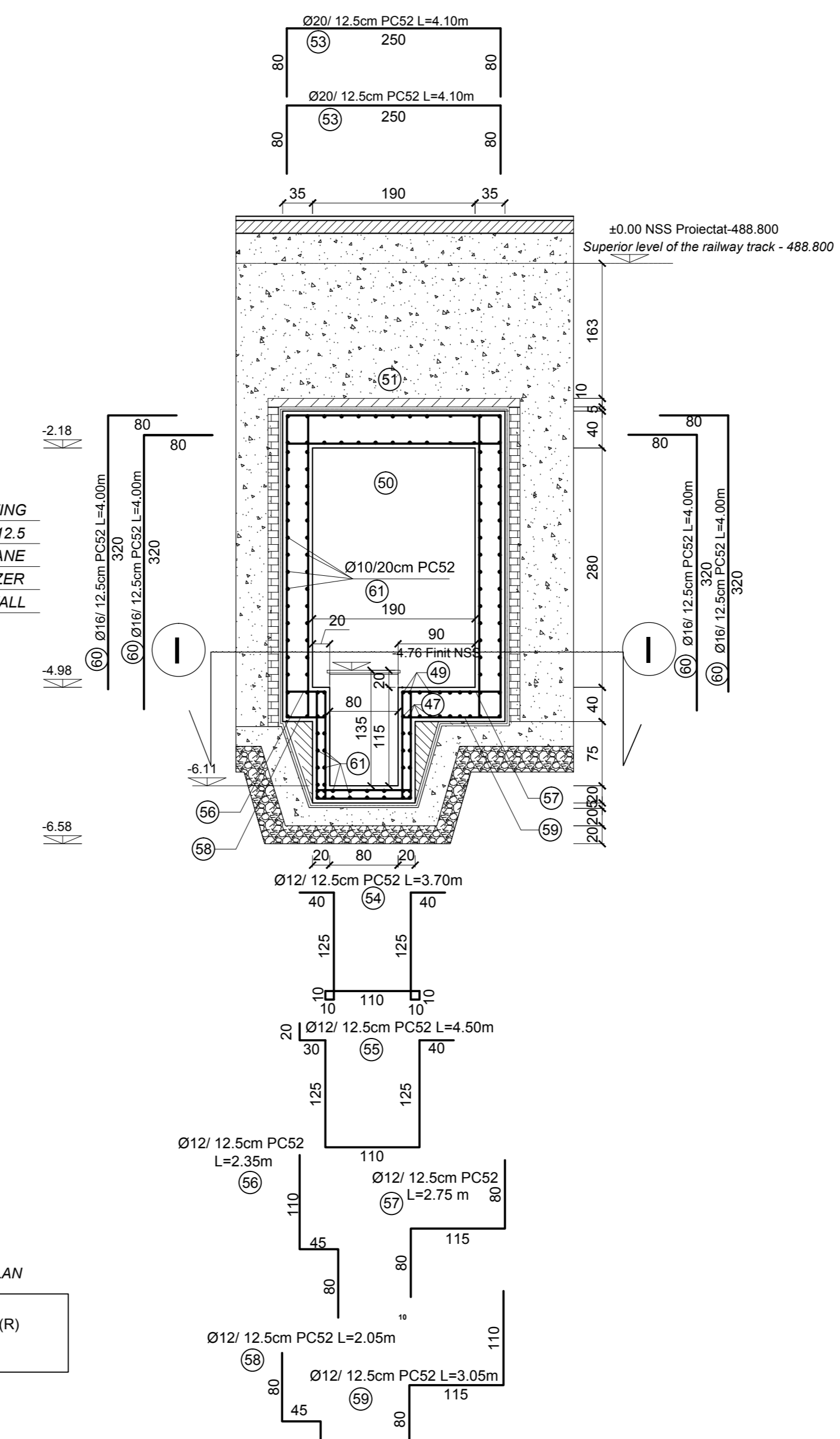
SECTIUNE : H-H scara 1:50
SECTION : H-H scale 1:50

SECTIUNE : I-I scara 1:50
SECTION : I-I scale 1:50



PENTRU EXTRASUL DE ARMATURA VEZI PLAN TUNEL
FOR THE REINFORCEMENT TABLE SEE THE TUNNEL PLAN

Beton simplu / Plain concrete - C8/10 - P4 - T3 - IA - I32.5 (R)
Beton armat / Reinforcing concrete - C25/30 - P4 - T3 - IA - I42.5 (R)
Armaturii / Reinforcements - PC 52
Armaturii / Reinforcements - OB 37



D					
C					
B					
A					
Index	Date	Modificari	Proiectant	Approbat Consultant	Approbat CFR
Index	Date	Modification/Revision	Designer	Approved Consultant	Approved CFR
				PROIECT FINANAT DE UNIUNEA EUROPEANA EUROPEAN UNION FINANCED PROJECT	
		C.N.C.F. "C.F.R." - S.A.			
CLIENT / CLIENT					
		PLANEN + BERATEN GmbH Consulting Engineers			
CONSULTANT / CONSULTANT				Date	Semnatura
Approbat	Set proiect	R. Luizza		12.2011	
Approbat	Proiect manager				
Approbat	Coordonator Sectiune 1				
Approbat	Sectiune 1 Coordinator	C. Gambelli		12.2011	
Verificat	Verificator				
Verificat	Verificator	Giuseppe Fioravanti		12.2011	
SUBCONTRACTANT / SUBCONTRACTOR					
Approbat	Responsabil Subcontractant	A. Stanciu - Dinulescu		12.2011	
Approbat	Subcontractant Representative				
Intocmit	Proiectant	Catalin Alexandrescu		12.2011	
Elaborat	Designer				
Reabilitarea liniei de cale ferata Braşov - Simleu, partea componentă a coridorului IV Pan European, pentru circulaţia trenurilor cu viteză maximă de 160 km/h.				Proiect/Project 2004/RO/18/PA/003	
Tronsoanel : Braşov - Sighişoara				Faza / Phase: P.T. / T.D. D.E. / E.D.	
Reabilitarea liniei de cale ferata Braşov - Simleu, componentă Part of the IV Pan-European Corridor, for the train circulation with maximum speed of 160 km/h.				Section : Braşov - Sighişoara	
Denumire desen / Drawing Title : HALTA VADU ROSU TUNEL PIETONAL DETALII ARMARE SECTIUNE TRANSVERSALA B-B - VADU ROSU FLAG STATION PEDESTRIAN TUNNEL REINFORCEMENT DETAILS CROSS SECTION B-B					
Codificare / Codification System		Scara / Scale 1:50		LOT / LOT 2 / 4	Nr. / No 01 / 01
E	A	5	1	E	0
0	8	W	B	C	0
0	0	2	4	0	0
0	0	4	0	0	4
0	0	0	4	0	0