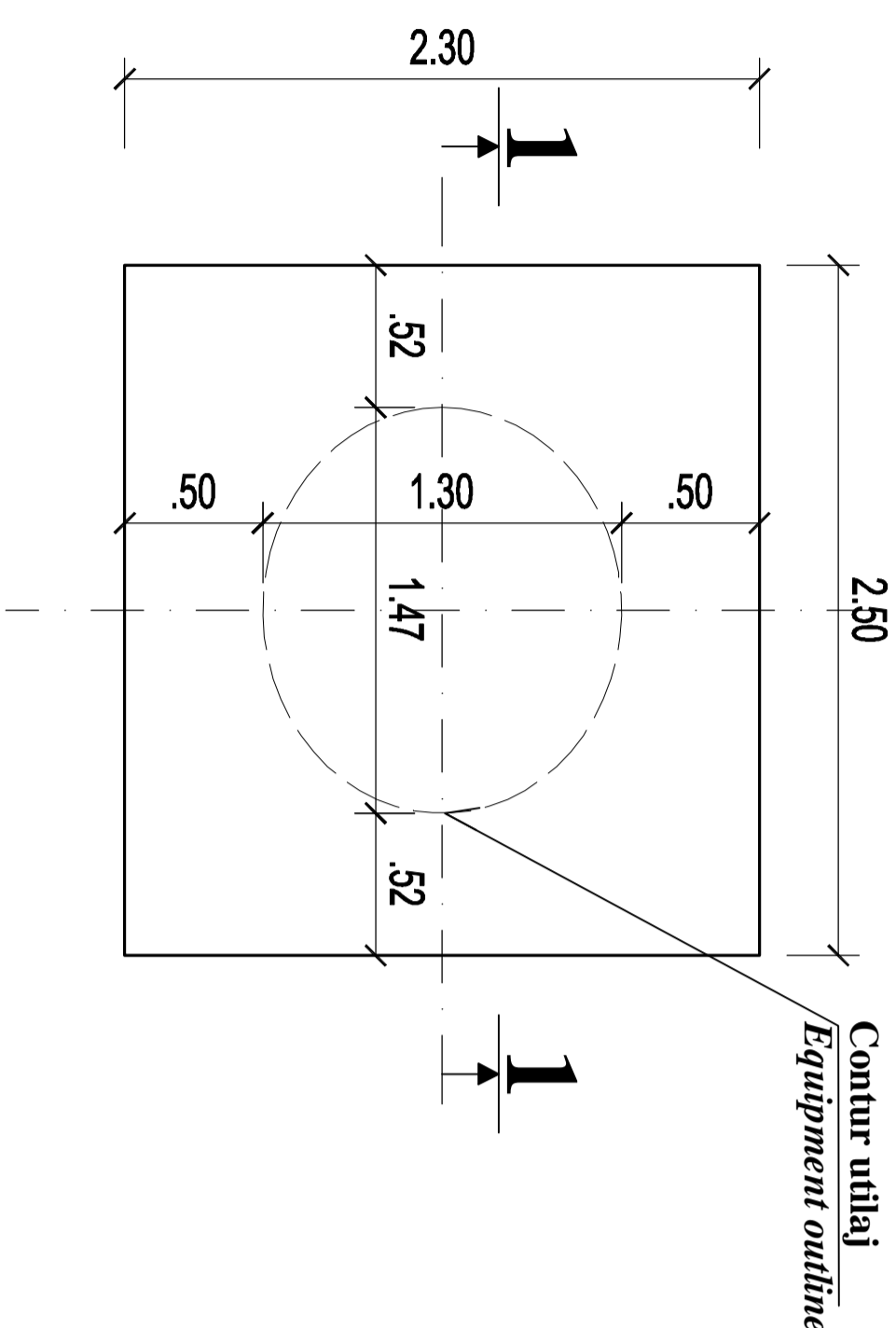


**PLAN POSTAMENT PENTRU SEPARATOR SEDIMENTE  
PLATFORM PLAN FOR SEDIMENT SEPARATOR**

Scara / Scale 1:25

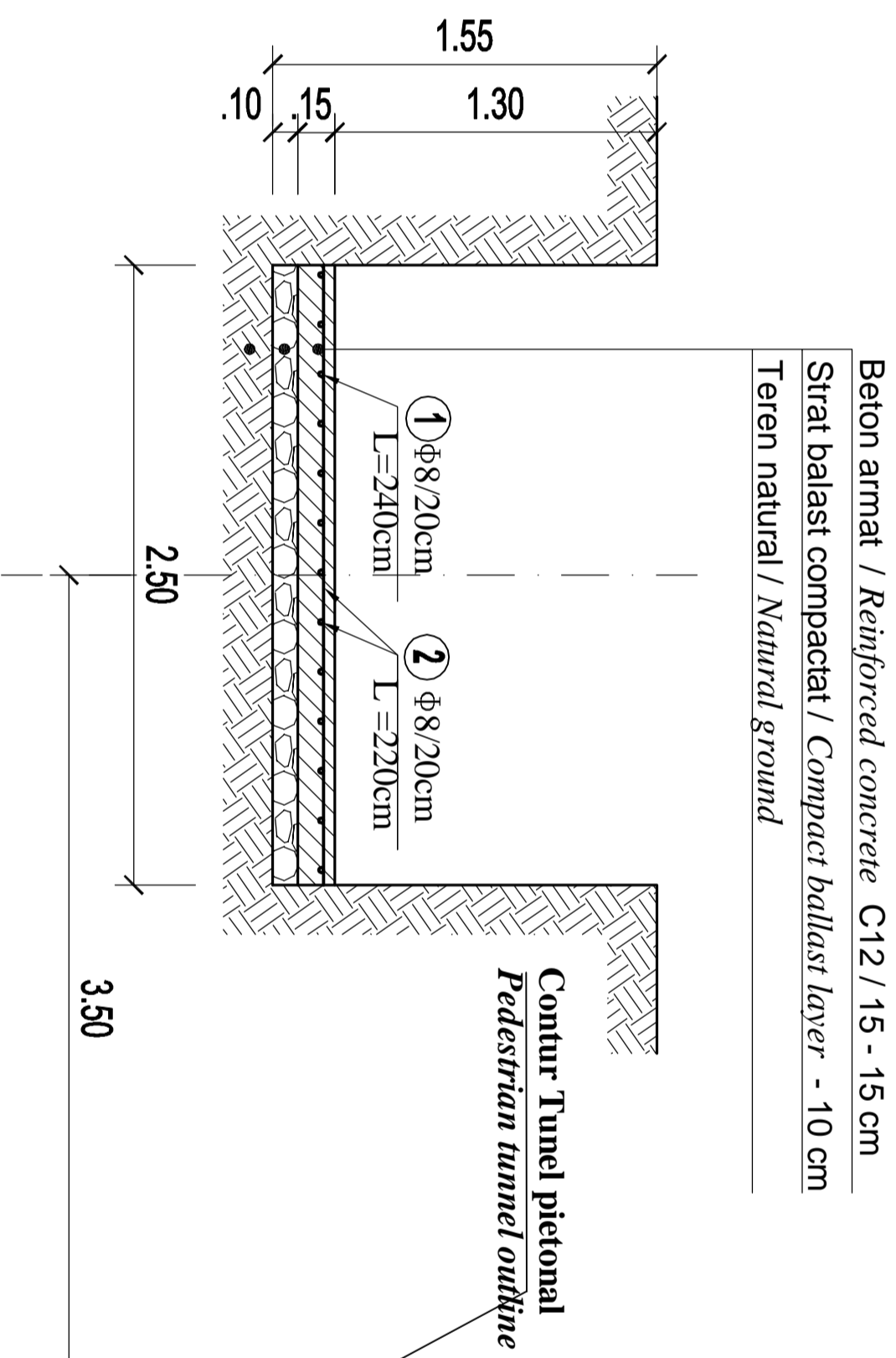


**CARACTERISTICI / CHARACTERISTICS**

- Clasa de importanta / Importance class (P100/1 - 2006) ---- "III"
- Categoria de importanta / Importance category (HG 766 - 1997) ---- "C"
- Seism / seism ---- "a<sub>g</sub> = 0,20"; "T<sub>c</sub> = 0,7 sec"

**SECTIUNEA / SECTION "1" - "1"**

Scara / Scale 1:25



**MATERIALE**

BETON SIMPLU: C 6/7.5  
 OTEL BETON : PC52  
 Acoperirea cu beton a armaturilor de rezistență : c = 4.5 cm.

**MATERIALS**

CONCRETE : C 6/7.5  
 REINFORCEMENT : PC52  
 STEEL : S235L2G3 (OL37.2n)  
 Concrete covering of the main reinforcing bars : c = 4.5 cm.

**EXTRAS ARMATURA - BILL OF REINFORCEMENT**

Marca	Φ	buc	lung (m)	PC 52 Φ 8
	1	8	2.40	33.60
	2	8	2.20	28.60
Total m/Φ				62.20
Kg/ m/Φ				0.395
Kg/Φ				24.569
<b>TOTAL Kg</b>				<b>24.57</b>

D				
C				
B				
A				
Index	Date	Modificare / Modification/Revision	Proiectant / Designer	Approbat / Approved Consultant

**GUVERNUL ROMANIEI**  
 ROMANIAN GOVERNMENT

**PROIECT FINANȚAT DE UNIUNEA EUROPEANĂ**  
 EUROPEAN UNION FINANCED PROJECT

**C.N.C.F. "C.F.R." - S.A.**

**CLIENT / CLIENT**  
**TALFERRA**  
 GRUPPO FERROVIE DELLO STATO  
 Joint Venture leader  
**Scott Wilson**  
**OBERMEYER**  
 PLANEN + BERATEN GmbH  
**TECNIC**  
 Consulting Engineers

**CONSULTANT / CONSULTANT**

Approbat / Approved	Șef proiect / Project manager	R. Luizza	Data / Date	12.2011	Semnătură / Signature
Approbat / Approved	Coordonator Secțiune 1 / Section 1 Coordinator	C. Gambelli	Data / Date	12.2011	Signature
Verificat / Checked	Verificator / Verifier	Giuseppe Fioravanti	Data / Date	12.2011	Signature

**SUBCONTRACTANT / SUBCONTRACTOR**

Approbat / Approved	Responsabil / Subcontractant	A. Stanciu - Dinulescu	Data / Date	12.2011	Signature
Elaborat / Elaborated	Proiectant / Designer	Andreea Staicu	Data / Date	12.2011	Signature

Reabilitarea liniei de cale ferată Brașov - Simeria, parte componentă a coridorului IV Pan European, pentru circulația trenurilor cu viteză maximă de 160 km/h, Tomsonul : Brașov - Sighișoara

Rehabilitation of the railway line Brașov - Simeria, component Part of the IV Pan-European Corridor, for the trains circulation with maximum speed of 160 km/h, Section : Brașov - Sighișoara

Proiect/Project: 2004/RO/16/RF/PA/003  
 Faza / Phase: D.E. / E.D.

Denumire desen / Drawing Title:  
**HALTA MAIERUS - POSTAMENT PENTRU SEPARATOR DE SEDIMENTE**  
**LA TUNELULUI PIETONAL**  
**FLAG STATION MAIERUS - SEDIMENT SEPARATOR PLATFORM FOR PEDESTRIAL TUNNEL**

Codificare / Codification System

E	A	S	1	0	1	E	0	8	B	Z	C	C	0	0	3	4	0	1	0	0
---	---	---	---	---	---	---	---	---	---	---	---	---	---	---	---	---	---	---	---	---

Scara / Scale 1:25      LOT / LOT      Nr. / No 01 / 01