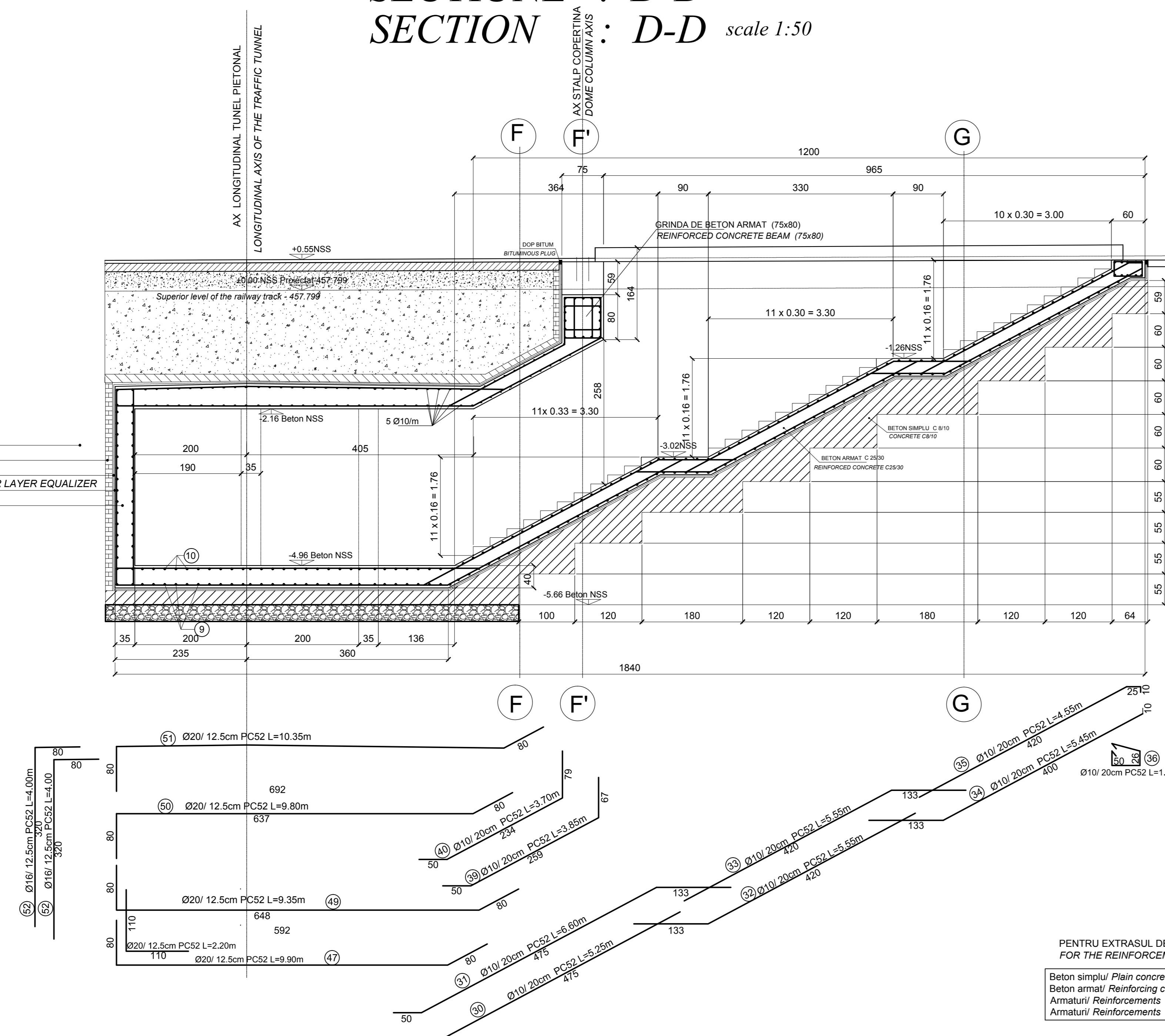


SECTIUNE : D-D scara 1:50  
SECTION : D-D scale 1:50

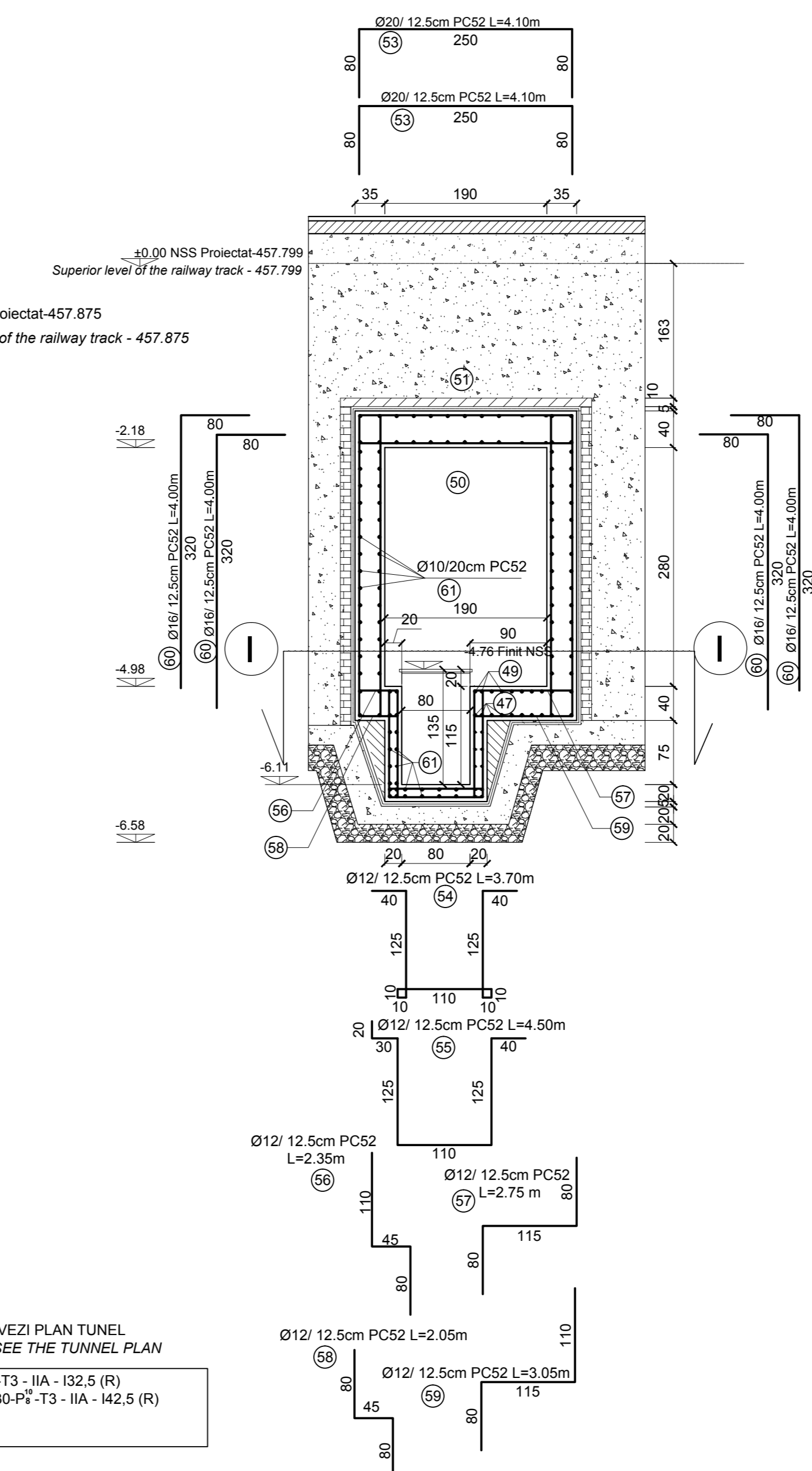


UMPLUTURA PAMANT - EARTH GRATING  
ZIDARIE PROTECTIE CARAMIDA 12.5CM - PROTECTION MASONRY WALL 12.5  
MEMBRANA HIDROIZOLATIE - WATERPROOFING MEMBRANE  
SAPA DE NIVELARE DIN MORTAR DE CIMENT M100 - M100 CEMENT MORTAR LAYER EQUALIZER  
PERETE BETON ARMAT - REINFORCED CONCRETE WALL

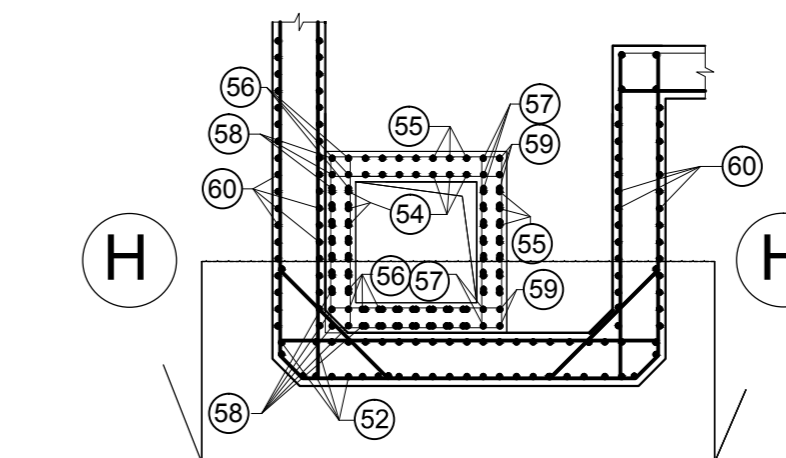
PENTRU EXTRASUL DE ARMATURA VEZI PLAN TUNEL  
FOR THE REINFORCEMENT TABLE SEE THE TUNNEL PLAN

Beton simplu/ Plain concrete - C8/10 - P4 - T3 - IIA - 132.5 (R)  
Beton armat/ Reinforcing concrete - C25/30 - P4 - T3 - IIA - 142.5 (R)  
Armături/ Reinforcements - PC 52  
Armături/ Reinforcements - OB 37

SECTIUNE : H-H scara 1:50  
SECTION : H-H scale 1:50



SECTIUNE : I-I scara 1:50  
SECTION : I-I scale 1:50



|   |                            |                          |            |  |              |
|---|----------------------------|--------------------------|------------|--|--------------|
| D   |                            |                          |            |  |              |
| C   |                            |                          |            |  |              |
| B   |                            |                          |            |  |              |
| A   |                            |                          |            |  |              |
| Index   | Date                       | Modificari               | Proiectant | Aprobat  | Aprobat CFR  |
| Index   | Date                       | Modification/Revision    | Designer   | Approved Consultant  | Approved CFR |
|   |                            |                          |            | PROIECT FINANȚAT DE UNIUNEA EUROPEANĂ<br>EUROPEAN UNION FINANCED PROJECT           |              |
| GUVERNUL ROMÂNIEI<br>ROMANIAN GOVERNMENT  |                            | C.N.C.F. "C.F.R." - S.A. |            |  |              |
| CLIENT / CLIENT   |                            |                          |            |  |              |
|   |                            |                          |            |  |              |
| CONSULTANT / CONSULTANT   |                            | Date                     | Semnatura  |  |              |
| Aprobat   | Set proiect                | R. Luizza                | 12.2011    | [Signature]  |              |
| Aprobat   | Proiect manager            |                          |            |  |              |
| Aprobat   | Coordonator Sectiune 1     | C. Gambelli              | 12.2011    | [Signature]  |              |
| Aprobat   | Sectiune 1 Coordinator     |                          |            |  |              |
| Verificat   | Verificator                | Giuseppe Fioravanti      | 12.2011    | [Signature]  |              |
| Verificat   | Verificator                |                          |            |  |              |
| SUBCONTRACTANT / SUBCONTRACTOR  |                            |                          |            |  |              |
| Aprobat   | Responsabil Subcontractant | A. Stanciu - Dinulescu   | 12.2011    | [Signature]  |              |
| Aprobat   | Subcontractant Responsible |                          |            |  |              |
| Intocmit  | Proiectant                 | Catalin Alexandrescu     | 12.2011    | [Signature]  |              |
| Elaborat  | Designer                   |                          |            |  |              |
| Reabilitarea liniei de cale ferata Braşov - Simeria, parte componentă a coridorului IV Pan European, pentru circulația trenurilor cu viteză maximă de 160 km/h. |                            |                          |            | Proiect/Project<br>2004/RO/16/PA/003   |              |
| Reabilitation of the railway line Braşov - Simeria, component Part of the IV Pan-European Corridor, for the trains circulation with maximum speed of 160 km/h.  |                            |                          |            | Faşa / Phase:<br>P.Th. / T.D.  |              |
| Denumire desen / Drawing Title :<br>STATION ARCHITECTONIC DETAIL REINFORCEMENT DETAILS CROSS-SECTION D-D; H-H; I-I  |                            |                          |            | H-H; I-I<br>ARCHITECTONIC DETAIL REINFORCEMENT DETAILS CROSS-SECTION D-D; H-H; I-I |              |
| Codificare / Codification System  |                            | Scara / Scale            | LOT / LOT  | Nr. / No   |              |
| EAS1  |                            | 1:50                     |            | 01 / 01  |              |
| 01  |                            | E                        | 15         | WB CC 00 7 4 011 0   |              |