

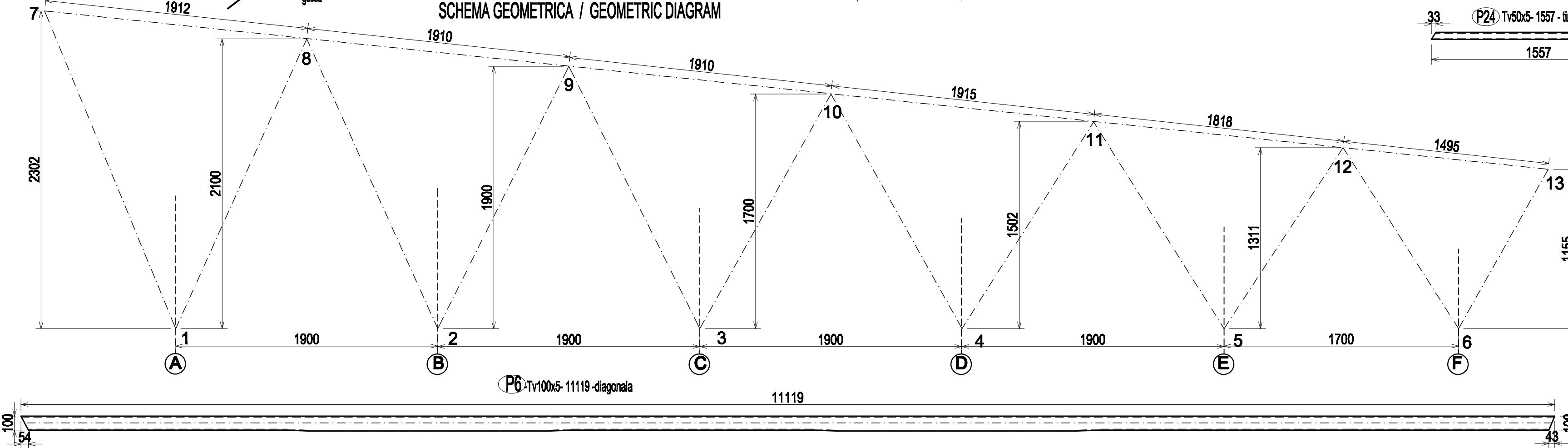
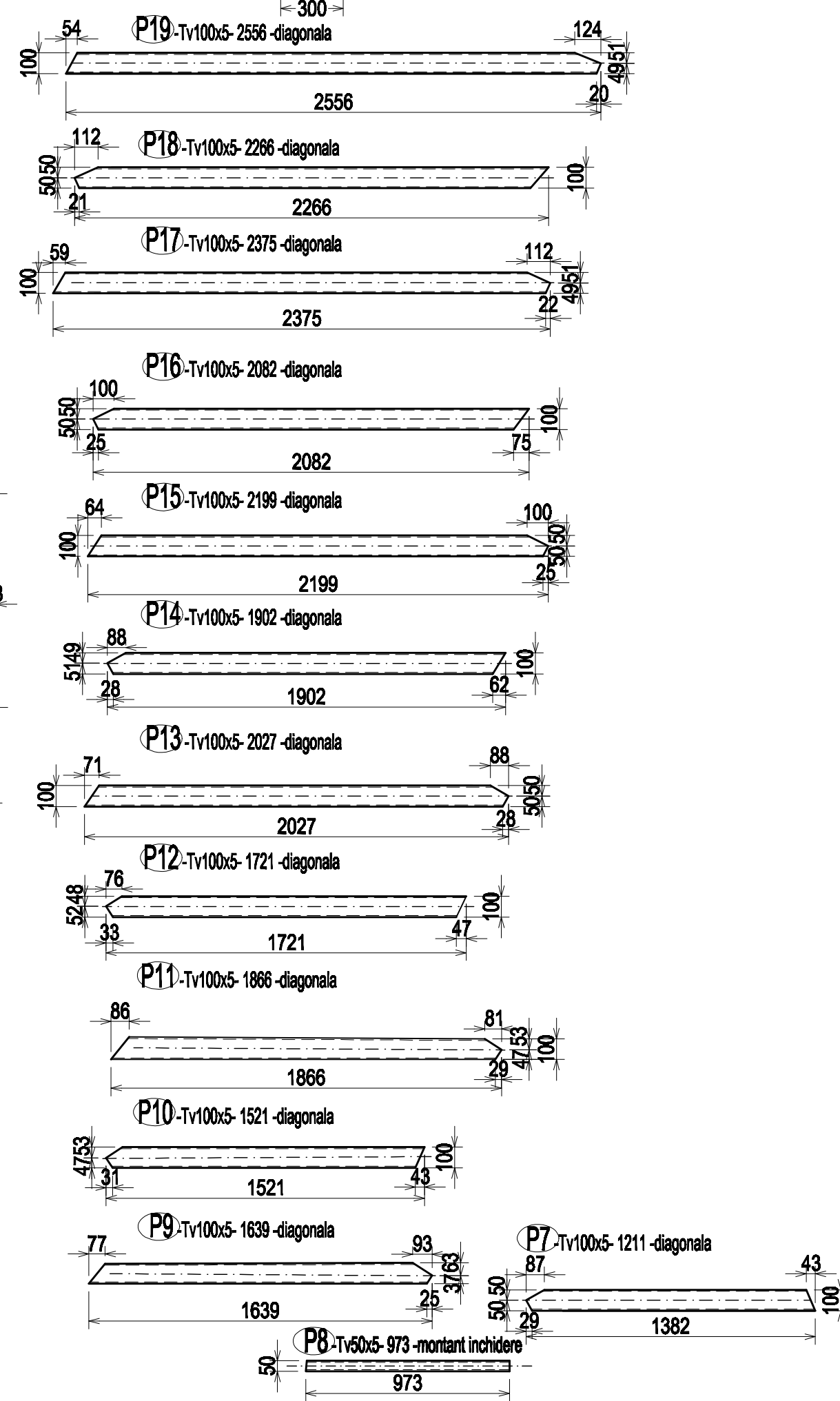
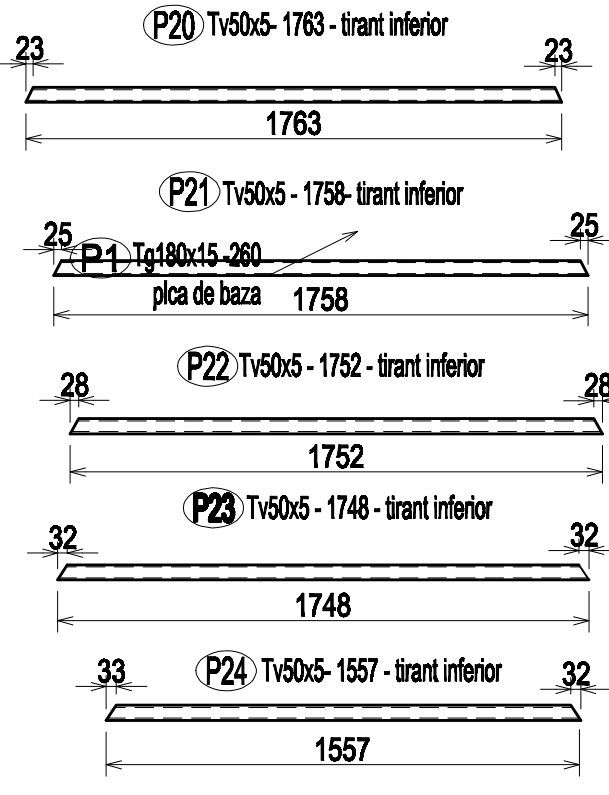
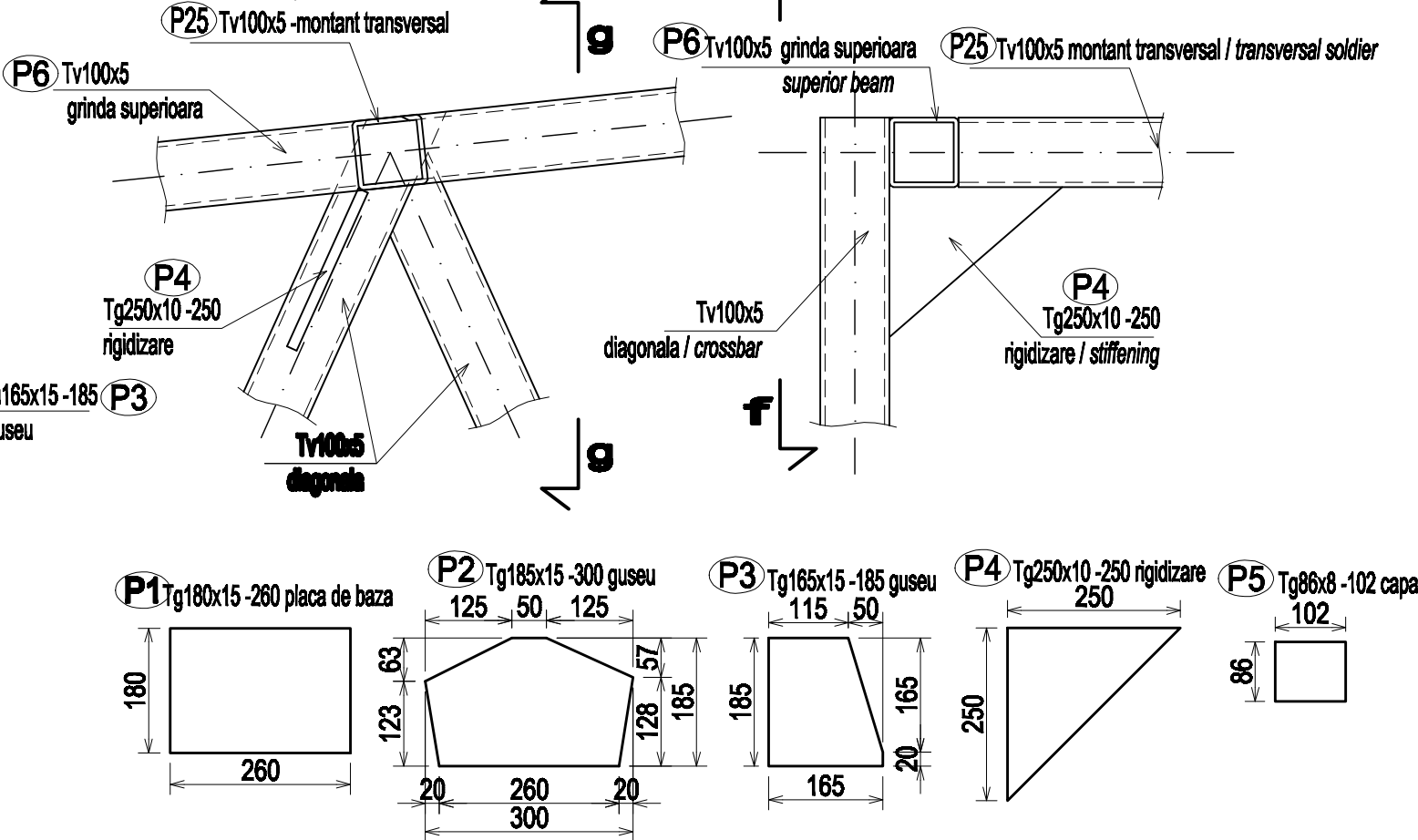
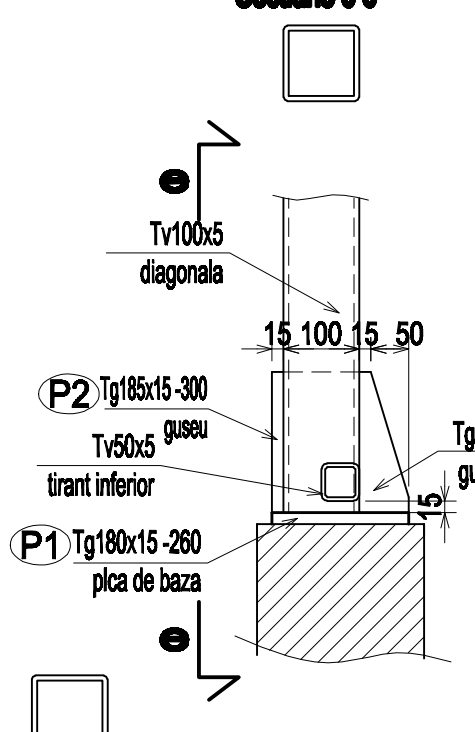
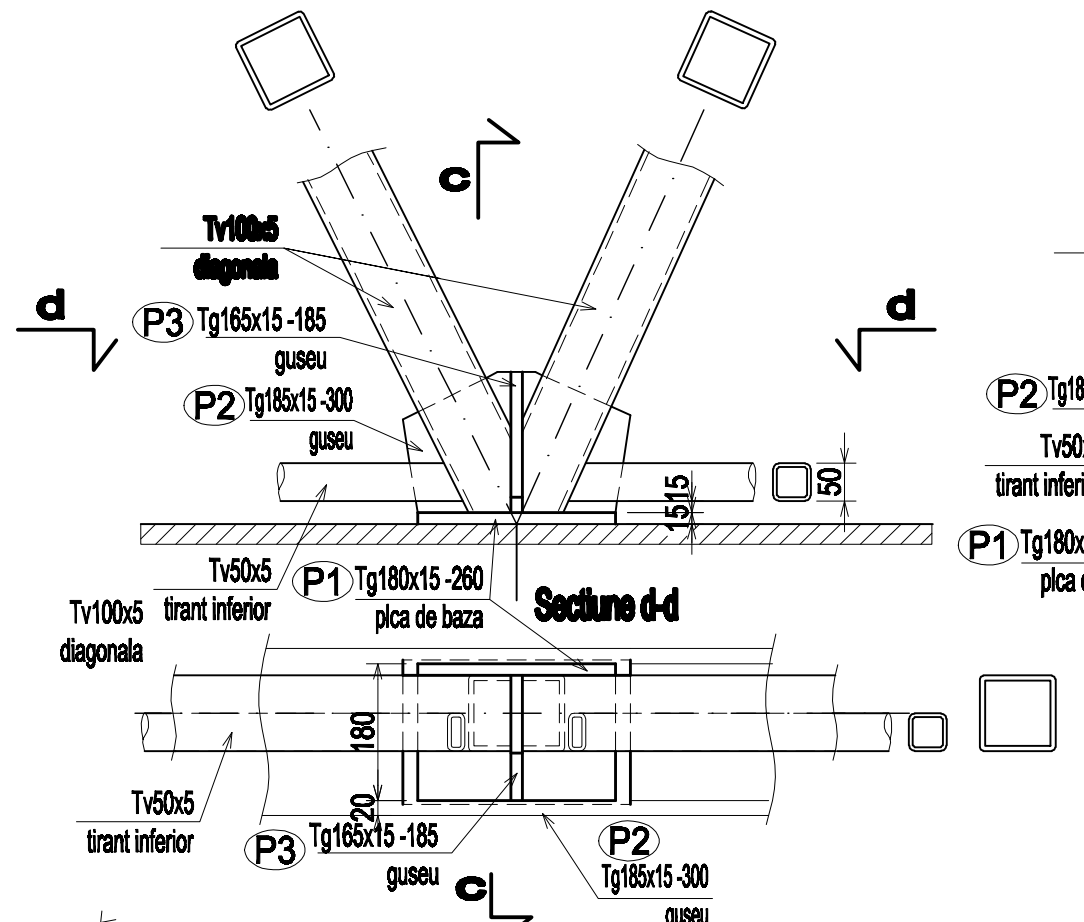
Poz	Denumire	Grosime mm	Latime mm	Lung (mm)	Nr. buc	GREUTATE kg	
						Unitara	Total
COPERTINA TUNEL (pentru un acces)							
P1	placa Tb15x180	15	180	260	12	21.20	66.13
P2	placa Tb15x185	15	185	300	12	21.78	78.43
P3	placa Tb15x185	15	185	185	12	19.43	43.14
P4	placa Tb10x250	10	250	250	14	19.63	68.69
P5	placa Tb8x86	8	86	102	14	5.40	7.72
P6	Tv 100x5			11119	2	14.70	328.90
P7	Tv 100x5			1211	2	14.70	35.61
P8	Tv 50x5			973	2	6.85	13.34
P9	Tv 100x5			1639	2	14.70	48.19
P10	Tv 100x5			1521	2	14.70	44.72
P11	Tv 100x5			1866	2	14.70	54.87
P12	Tv 100x5			1721	2	14.70	50.60
P13	Tv 100x5			2027	2	14.70	59.60
P14	Tv 100x5			1902	2	14.70	55.92
P15	Tv 100x5			2199	2	14.70	64.66
P16	Tv 100x5			2082	2	14.70	61.22
P17	Tv 100x5			2375	2	14.70	69.83
P18	Tv 100x5			2266	2	14.70	66.63
P19	Tv 100x5			2556	2	14.70	75.15
P20	Tv 100x5			1763	2	14.70	51.84
P21	Tv 100x5			1758	2	14.70	51.69
P22	Tv 100x5			1752	2	14.70	51.51
P23	Tv 100x5			1748	2	14.70	51.40
P24	Tv 100x5			1557	2	14.70	45.78
P25	Tv 100x5			1870	7	14.70	192.43
P26	Tv 50x5			1870	6	6.85	76.86
P27	Tv 50x5			1870	1	6.85	12.81
						Total Kg	1825.67
						Electozi 3%	54.77
						Total general pentru o fundatie Kg	1881
						Total general fundatii copertina (3 bucati) Kg	5643

Detaliu 1 **scara 1:10** **Sectione e-e**

Detaliu 2 **scara 1:10** **Sectione f-f**

Sectione g-g

Sectione cc



D					
C					
B					
A					
Indice	Data	Modificari	Proiectant	Aprobat Consultant	Aprobat CFR
		Modification/Revision	Designer	Approved Consultant	Approved CFR
		GUVERNUL ROMANIEI ROMANIAN GOVERNMENT			
		PROIECT FINANAT DE UNIUNEA EUROPEANA EUROPEAN UNION FINANCED PROJECT			
		C.N.C.F. "C.F.R." - S.A.			
CLIENT / CLIENT					
		TECNIC Consulting Engineers			
CONSULTANT / CONSULTANT					
Aprobat	Ref proiect			Date	Semnatura
Approved	Project manager	R. Liuzza		12.2011	
Aprobat	Coordonator	C. Gambell		12.2011	
Verificat	Verificator	Giuseppe Fioravanti		12.2011	
Checked	Checker				
SUBCONTRACTANT / SUBCONTRACTOR					
Aprobat	Responsabil	A. Stancu - Dinulescu		12.2011	
Approved	Subcontractant	Responsible			
Elaborat	Proiectant	Anca Rus		12.2011	
Elaborated	Designer				
Reabilitarea liniei de cale ferata Bragov - Simeria, parte componenta a coridorului IV Pan European, pentru circulatia trenurilor cu viteza maxima de 160 km/h, Tronsonul : Bragov - Sighisoara					
Rehabilitation of the railway line Bragov - Simeria, component Part of the IV Pan-European Corridor, for the trains circulation with maximum speed of 160 km/h, Section : Bragov - Sighisoara					
Proiect/Project 2004/RO16/PPA003					
Faza / Phase: P.Th. / T.D.					
Denumire desen / Drawing Title : HALTA C.F. MURENI / MURENI FLAG STATION COPERTINA TUNEL PIETONAL / PEDESTRIAN TUNNEL CANOPY - PLAN DEBITARE FERMA / TRUSS CUTING PLAN -					
Codificare / Codification System		Scara / Scale 1:25 1:10	LOT / LOT	Nr. / No 01 / 01	
E	A	5	1	C	1
1	6	P	Z	C	C
0	0	0	0	2	4
0	0	8	0	0	0