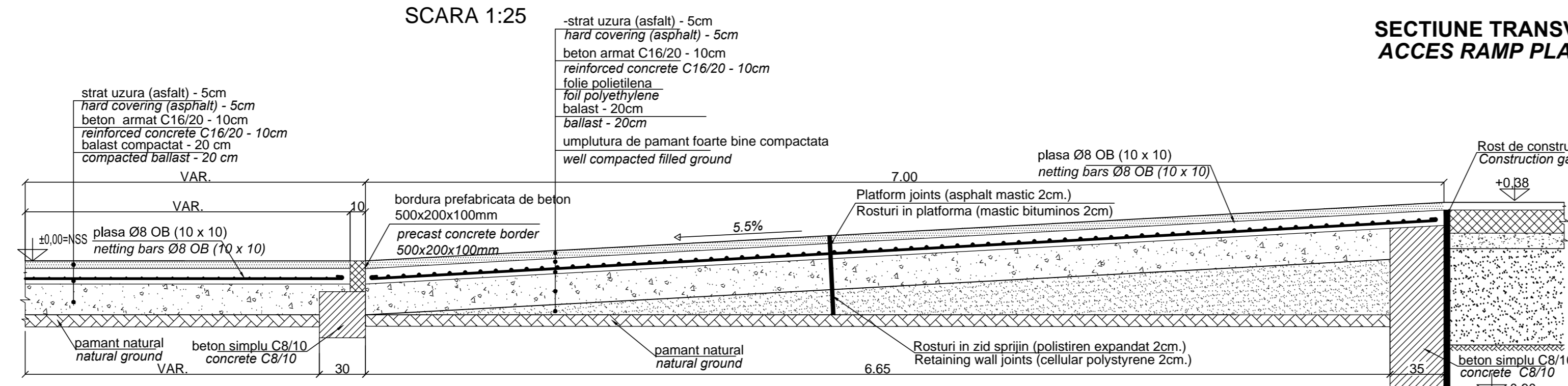
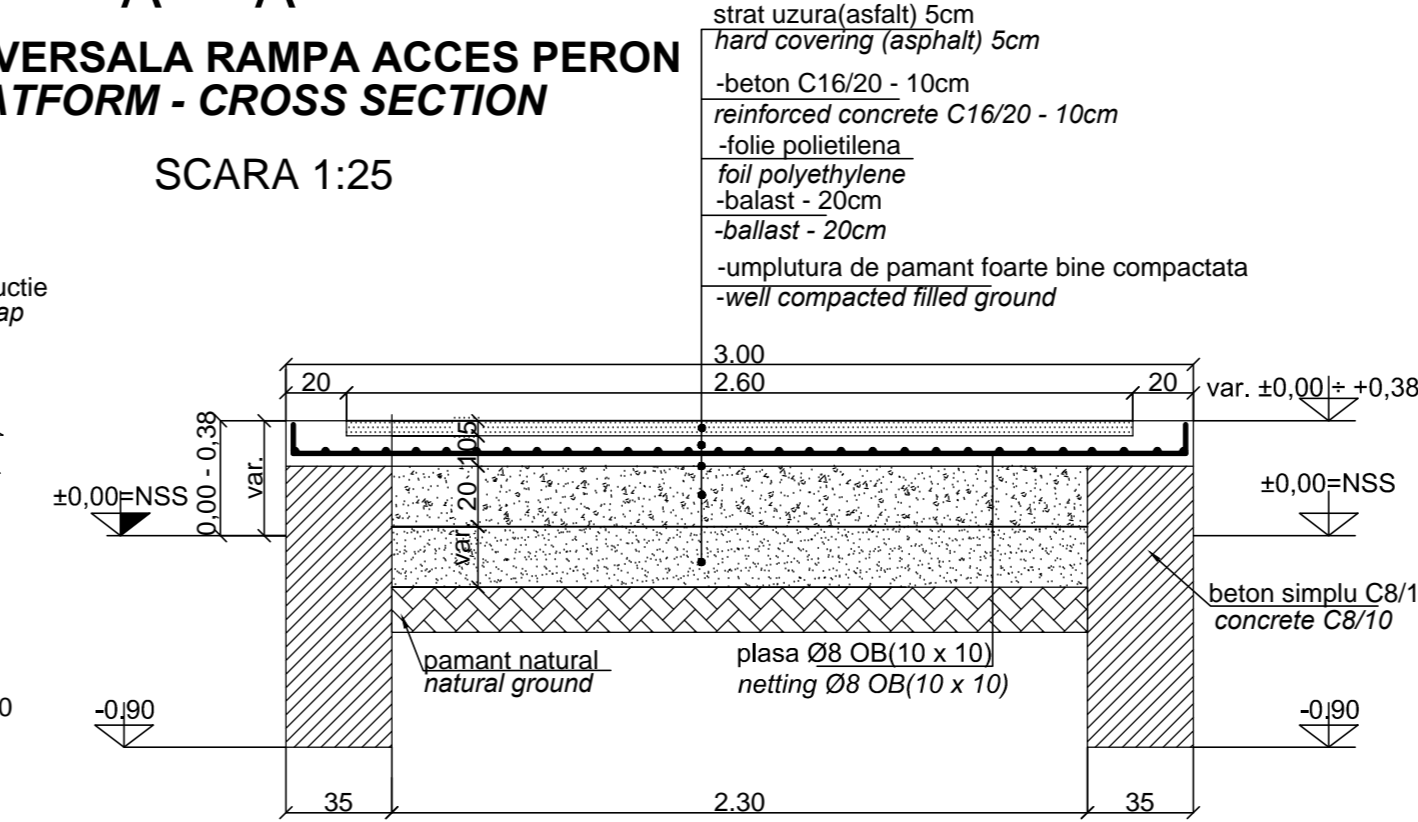


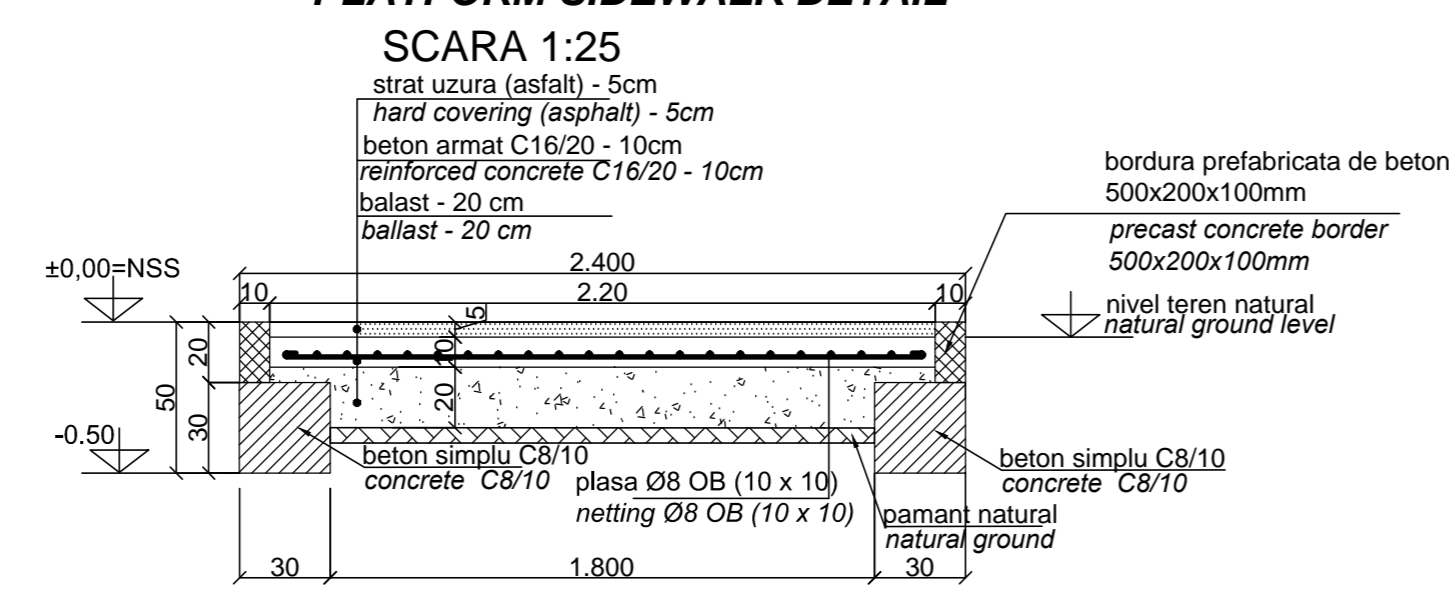
B - B
SECTIUNE LONGITUDINALA PRIN RAMPA ACCES PERON
ACCES RAMP PLATFORM - LONGITUDINAL SECTION
 SCARA 1:25



A - A
SECTIUNE TRANSVERSALA RAMPA ACCES PERON
ACCES RAMP PLATFORM - CROSS SECTION
 SCARA 1:25



C - C
DETALIU TROTUAR PERON
PLATFORM SIDEWALK DETAIL
 SCARA 1:25



Extras armatura OB37:
 25.00 mp x 20ml/mp x 0.394 kg/ml = 200 kg
 380.00 mp x 20ml/mp x 0.394 kg/ml = 3000 kg
 Se va citi impreuna cu planul de dispozitie generala a peroarelor.
 Will be read with general layout platform.
 NIVEL DE REFERINTA ±0.00 ≡ N.S.S.

Beton armat : C 16 / 20 - P4-T3-IIA-SR32.5
 Beton simplu : CB/10
 Otel beton : OB 37

D					
C					
B					
A					
Index	Date	Modificari	Proiectant	Aprobat Consultant	Aprobat CFR
		Modification/Revision	Designer	Approved Consultant	Approved CFR

GUVERNUL ROMANIEI
PROIECT FINANȚAT DE UNIUNEA EUROPEANĂ

C.N.C.F. "C.F.R." - S.A.

CLIENT / CLIENT

CONSULTANT / CONSULTANT		Data	Semnatura
Aprobat	Self project	12.2011	
Approved	Project manager	12.2011	
Aprobat	Coordinator/ Section 1	12.2011	
Approved	Section 1 Coordinator	12.2011	
Verificat	Verifier	12.2011	
Checked	Verifier	12.2011	

SUBCONTRACTANT / SUBCONTRACTOR

Aprobat	Responsabil Subcontractant	A.Stanciu - Dinulescu	12.2011	
Approved	Subcontractant Responsible	A.Stanciu - Dinulescu	12.2011	
Elaborat	Designer	Georgescu Georgiana Adina	12.2011	

Reabilitarea liniei de cale ferata Brasov - Simeria, parte componenta a coridorului IV Pan European, pentru circulatia trenurilor cu viteza maxima de 160 km/h,
Tronsonul : Brasov - Sighisoara
 Rehabilitation of the railway line Brasov - Simeria, component Part of the IV Pan-European Corridor, for the trains circulation with maximum speed of 160 km/h,
Section : Brasov - Sighisoara

Proiect/Project
 2004/RO/16/PPA/003
 Faza / Phase:
 D.E. / E.D.

Denumire desen / Drawing Title :
RAMPE SI DETALIU TROTUAR PERON HALTA SASCHIZ/ FLAG STATION SASCHIZ RAMPS AND PLATFORM SIDEWALK DETAIL

Codificare / Codification System	Scara / Scale	LOT / LOT	Nr. / No
	1 : 25		01 / 01

E A 5 1 | 0 1 | E | 1 6 | P 2 | C C | 0 0 | 3 | 2 | 0 0 7 | 1