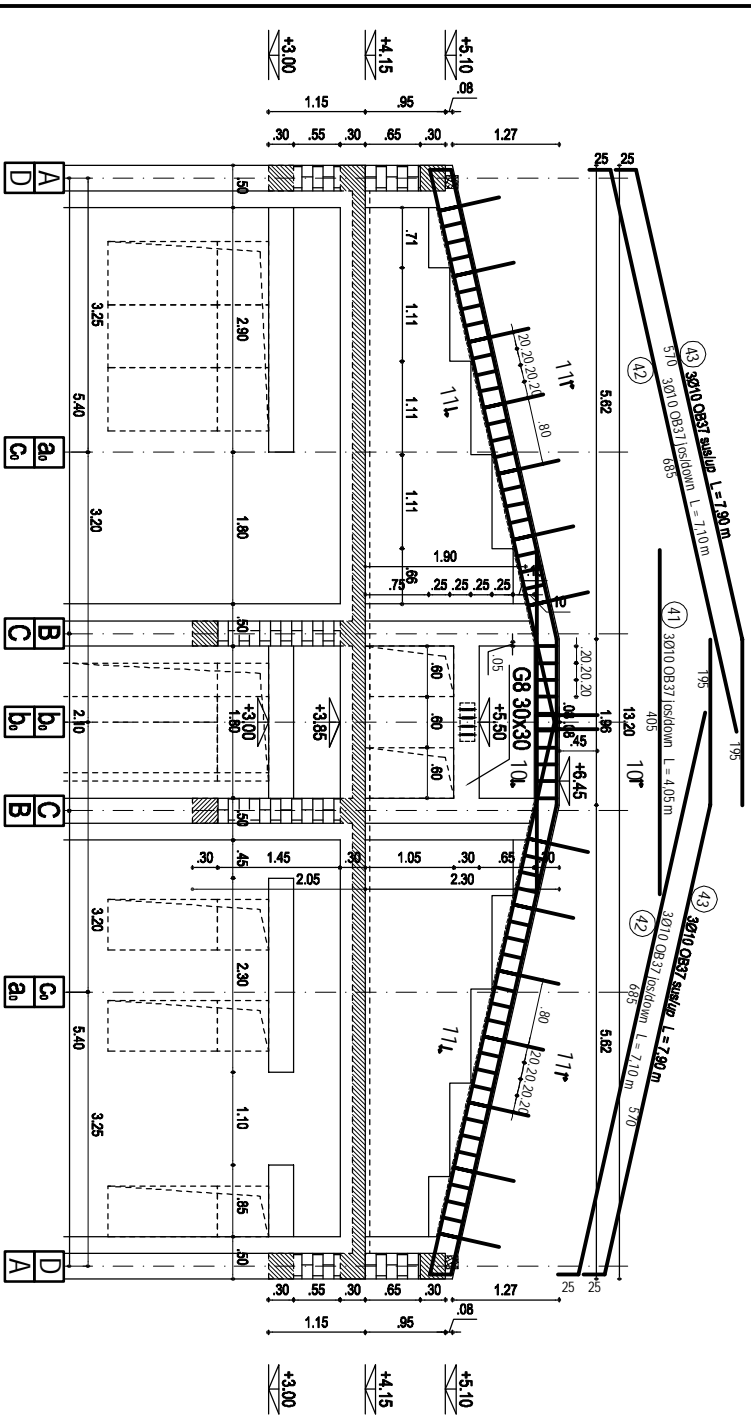
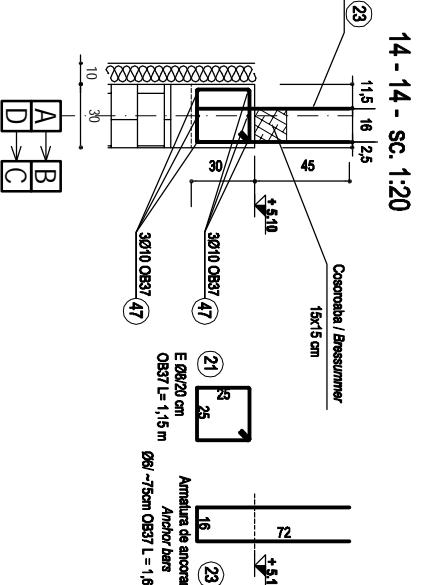
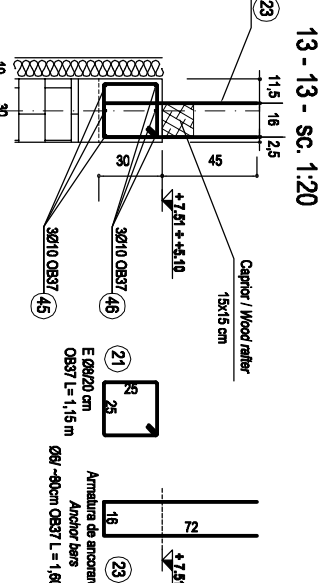
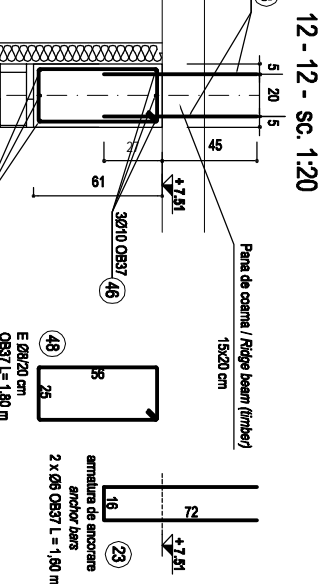
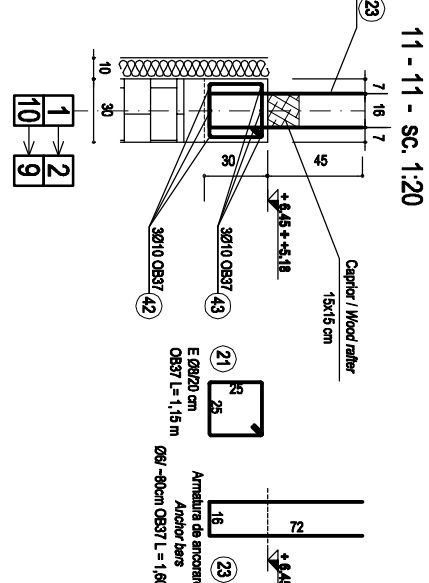
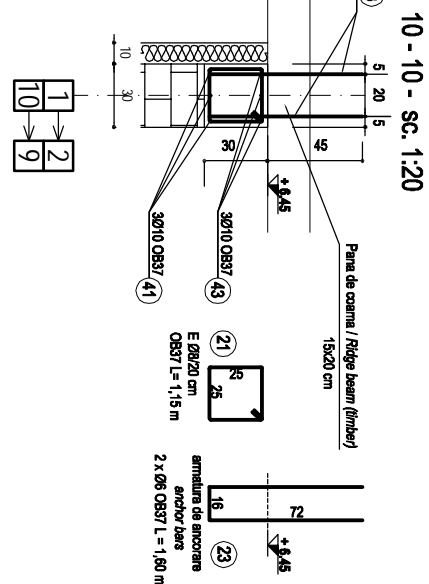
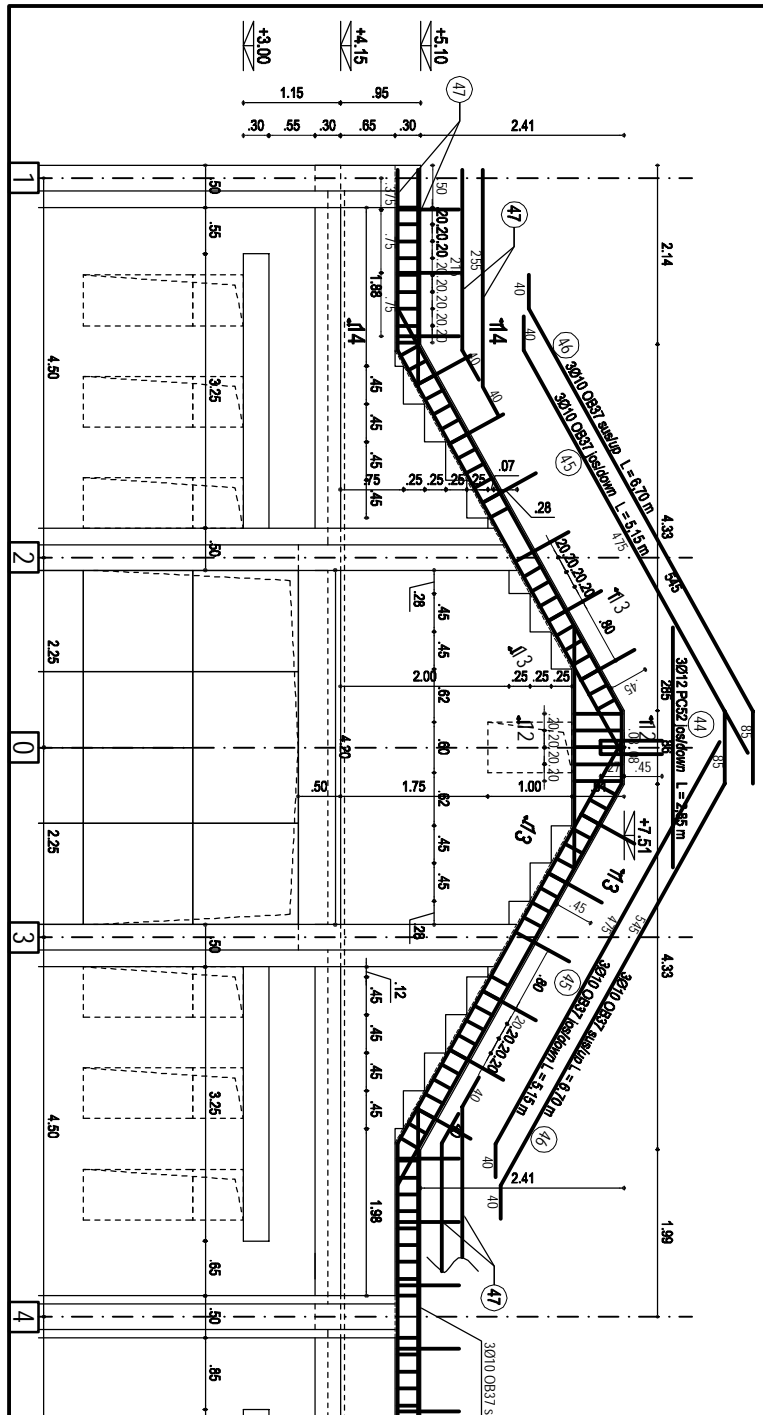


**FRONTON AXE "1" si "10"**  
SC. 1:50  
**GABLE AXIS "A" and "10"**  
SC. 1:50



**FRONTON AXE "A" ; "D" / "2" - "3"**  
SC. 1:50  
**GABLE AXIS "A" ; "D" / "2" - "3"**  
SC. 1:50



**NOTA 1:**  
La coltur si intersectii, fiecare bara a armaturii longitudinale Ø10 OB37 din cantin se va intoarca la ambele capete cate 40 cm. Preluarea intermediara a barelor se va face prin suprapunere pe 100 cm. Se-a considerat folosirea pe cat posibil integrata a barelor de 120 m lungime.

**NOTA 2:**  
Pentru toate armaturile, raza domului de indoire va fi egala cu 3d  
**NOTE 2:**  
For all reinforcements, the radius of mandrel for bending is equal to 3d  
Colatare armarii in "cm"  
Colatare conectiilor metalice in "mm"  
Reinforcement dimensions in "cm"  
Dimensions of metallic elements in "mm"

**BETON ARMAT, vibrat:**  
C16/20 - P4 - F3 - IIA 32,5/0,16  
OTEL BETON : OB37; PC52  
LAMINATE : S235LD23 (OU37)  
REINFORCED CONCRETE, vibrated :  
C16/20 - P4 - F3 - IIA 32,5/0,16  
REINFORCEMENT : OB37; PC52  
ROLLED STEEL : S235LD23 (OU37)  
Acoperirea cu beton a armaturilor de rezistenta :  
c = 2,5 cm, la centuri  
Concrete covering of the main reinforcing bars :  
c = 2,5 cm, for straps

Prezentul plan se consulta impreuna cu PLAN ARMATUR PLACA PESTE PATERE REINFORCING PLAN SLAB OVER THE GROUND FLOOR

±0,00 = ±0,60 NSS

**EXTRAS ARMATURE - FRONTON AXE SI CENTURI**  
**PESTE PATERE**  
**BILL OF REINFORCEMENT - GABLES AND STRAPS**  
**OVER THE GROUND FLOOR**

MARK	Q	R/C	LAH/HEB/BA	Q/B 37	Q/B 37	P C 52	PC 52
1	2	2	2	2	2	2	2
2	2	2	2	2	2	2	2
3	2	2	2	2	2	2	2
4	2	2	2	2	2	2	2
5	2	2	2	2	2	2	2
6	2	2	2	2	2	2	2
7	2	2	2	2	2	2	2
8	2	2	2	2	2	2	2
9	2	2	2	2	2	2	2
10	2	2	2	2	2	2	2
11	2	2	2	2	2	2	2
12	2	2	2	2	2	2	2
13	2	2	2	2	2	2	2
14	2	2	2	2	2	2	2
15	2	2	2	2	2	2	2
16	2	2	2	2	2	2	2
17	2	2	2	2	2	2	2
18	2	2	2	2	2	2	2
19	2	2	2	2	2	2	2
20	2	2	2	2	2	2	2
21	2	2	2	2	2	2	2
22	2	2	2	2	2	2	2
23	2	2	2	2	2	2	2
24	2	2	2	2	2	2	2
25	2	2	2	2	2	2	2
26	2	2	2	2	2	2	2
27	2	2	2	2	2	2	2
28	2	2	2	2	2	2	2
29	2	2	2	2	2	2	2
30	2	2	2	2	2	2	2
31	2	2	2	2	2	2	2
32	2	2	2	2	2	2	2
33	2	2	2	2	2	2	2
34	2	2	2	2	2	2	2
35	2	2	2	2	2	2	2
36	2	2	2	2	2	2	2
37	2	2	2	2	2	2	2
38	2	2	2	2	2	2	2
39	2	2	2	2	2	2	2
40	2	2	2	2	2	2	2
41	2	2	2	2	2	2	2
42	2	2	2	2	2	2	2
43	2	2	2	2	2	2	2
44	2	2	2	2	2	2	2
45	2	2	2	2	2	2	2
46	2	2	2	2	2	2	2
47	2	2	2	2	2	2	2
48	2	2	2	2	2	2	2
49	2	2	2	2	2	2	2
50	2	2	2	2	2	2	2
51	2	2	2	2	2	2	2
52	2	2	2	2	2	2	2
53	2	2	2	2	2	2	2
54	2	2	2	2	2	2	2
55	2	2	2	2	2	2	2
56	2	2	2	2	2	2	2
57	2	2	2	2	2	2	2
58	2	2	2	2	2	2	2
59	2	2	2	2	2	2	2
60	2	2	2	2	2	2	2
61	2	2	2	2	2	2	2
62	2	2	2	2	2	2	2
63	2	2	2	2	2	2	2
64	2	2	2	2	2	2	2
65	2	2	2	2	2	2	2
66	2	2	2	2	2	2	2
67	2	2	2	2	2	2	2
68	2	2	2	2	2	2	2
69	2	2	2	2	2	2	2
70	2	2	2	2	2	2	2
71	2	2	2	2	2	2	2
72	2	2	2	2	2	2	2
73	2	2	2	2	2	2	2
74	2	2	2	2	2	2	2
75	2	2	2	2	2	2	2
76	2	2	2	2	2	2	2
77	2	2	2	2	2	2	2
78	2	2	2	2	2	2	2
79	2	2	2	2	2	2	2
80	2	2	2	2	2	2	2
81	2	2	2	2	2	2	2
82	2	2	2	2	2	2	2
83	2	2	2	2	2	2	2
84	2	2	2	2	2	2	2
85	2	2	2	2	2	2	2
86	2	2	2	2	2	2	2
87	2	2	2	2	2	2	2
88	2	2	2	2	2	2	2
89	2	2	2	2	2	2	2
90	2	2	2	2	2	2	2
91	2	2	2	2	2	2	2
92	2	2	2	2	2	2	2
93	2	2	2	2	2	2	2
94	2	2	2	2	2	2	2
95	2	2	2	2	2	2	2
96	2	2	2	2	2	2	2
97	2	2	2	2	2	2	2
98	2	2	2	2	2	2	2
99	2	2	2	2	2	2	2
100	2	2	2	2	2	2	2

**CLIENT / CLIENT**  
GUVERNUL ROMANIEI  
ROMANIAN GOVERNMENT  
PROIECT FINANAT DE UNIUNEA EUROPEANA  
EUROPEAN UNION FINANCED PROJECT

**CONSULTANT / CONSULTANT**  
TECNIC  
CONSULTANT

**SUBCONTRACTANT / SUBCONTRACTOR**  
A. S. S. S. S.

**CLADIREA STATEI VANATORI - DETALIUL FRONTON AXE**  
**VANATOR RAILWAY STATION BUILDING - GABLES DETAILS**

Denumirea desen / Drawing title :

Codificarea / Codification System :

01 01 E 17 B B C C C 0 0 1 0 2 1 7 0