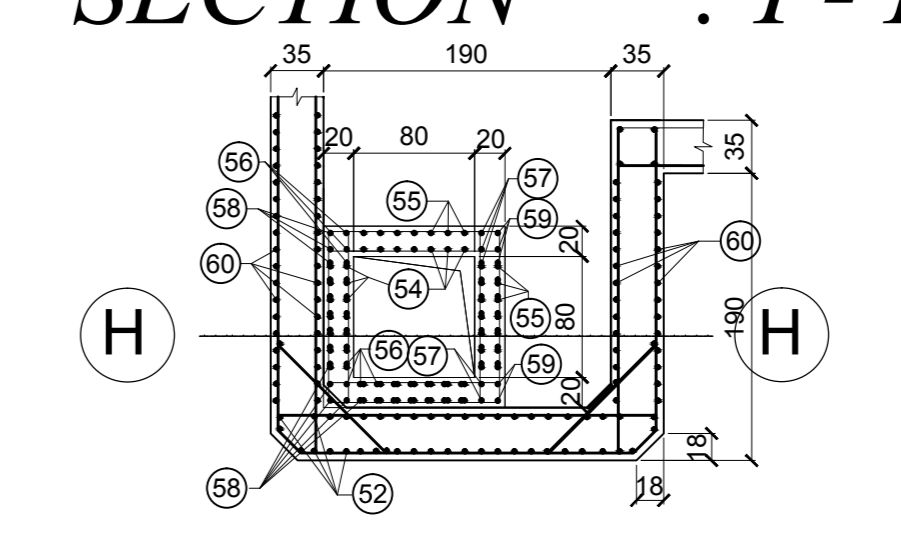
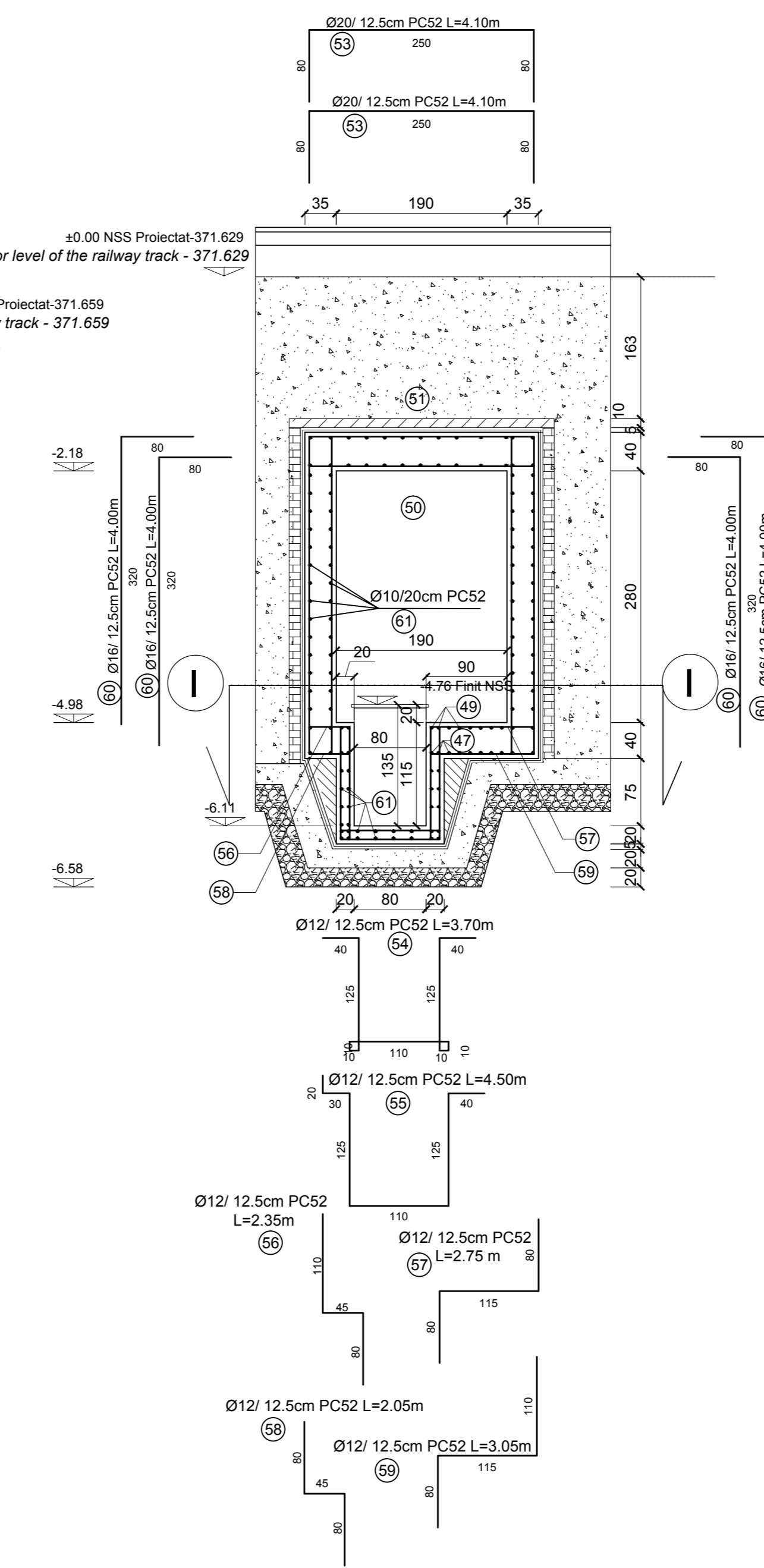
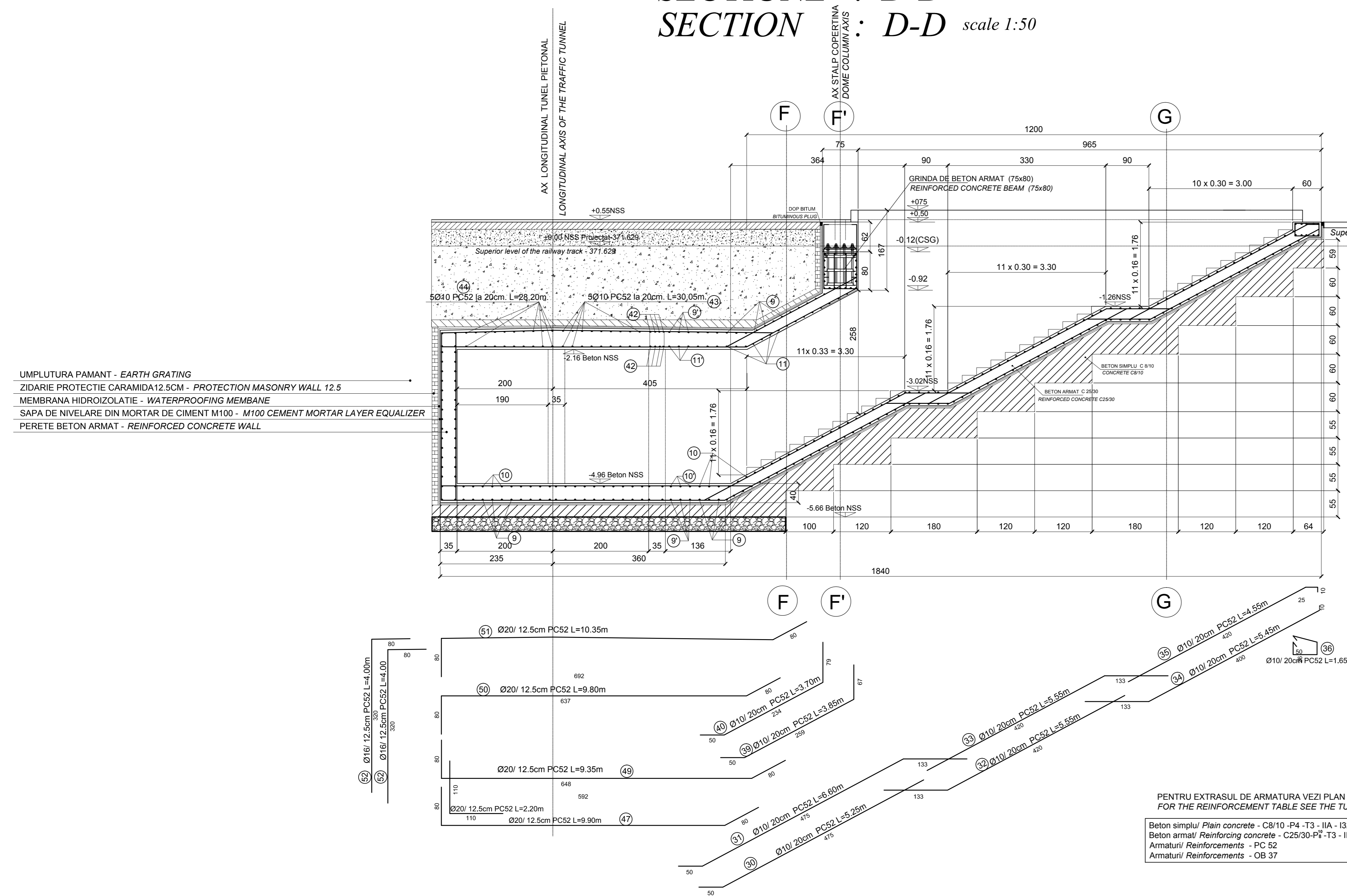


SECTIUNE : D-D scara 1:50
SECTION : D-D scale 1:50

SECTIUNE : H-H scara 1:50
SECTION : H-H scale 1:50

SECTIUNE : I-I scara 1:50
SECTION : I-I scale 1:50



PENTRU EXTRASUL DE ARMATURA VEZI PLAN TUNEL
FOR THE REINFORCEMENT TABLE SEE THE TUNNEL PLAN

Beton simplu / Plain concrete - C8/10 - P4 - T3 - IA - 132.5 (R)
Beton armat / Reinforcing concrete - C25/30 - F2 - T3 - IA - 142.5 (R)
Armături / Reinforcements - PC 52
Armături / Reinforcements - OB 37

D					
C					
B					
A					
Index	Date	Modificari	Proiectant	Aprobat Consultant	Aprobat CFR
Index	Date	Modifier/Revision	Designer	Approved Consultant	Approved CFR
		PROIECT FINANȚAT DE UNIUNEA EUROPEANĂ EUROPEAN UNION FINANCED PROJECT			
		C.N.C.F. "C.F.R." - S.A.			
CLIENT / CLIENT 					
CONSULTANT / CONSULTANT					
Aprobat	Set proiect		R. Luizza	12.2011	
Aprobat	Proiect manager				
Aprobat	Coordonator Sectiune 1		C. Gambelli	12.2011	
Aprobat	Section 1 Coordinator				
Verificat	Verificator		Giuseppe Fioravanti	12.2011	
Checkat	Verifier				
SUBCONTRACTANT / SUBCONTRACTOR					
Aprobat	Responsabil Subcontractant		A. Stanciu - Dinulescu	12.2011	
Aprobat	Subcontractant Responsible				
Inzestrat	Proiectant		Catalin Alexandrescu	12.2011	
Elaborat	Designer				
Reabilitarea liniei de cale ferata Braşov - Simeria, parte componentă a coridorului IV Pan European, pentru circulația trenurilor cu viteză maximă de 160 km/h. Tronsoanel : Braşov - Sighişoara Rehabilitation of the railway line Braşov - Simeria, component Part of the IV Pan-European Corridor, for the trains circulation with maximum speed of 160 km/h. Section : Braşov - Sighişoara					
Denumire desen / Drawing Title : STATA VANATORI - TUNEL PIETONAL DETALIILE ARMARE SECTIUNI TRANSVERSALE VANATORI STATION - PEDESTRIAN TUNNEL REINFORCEMENT DETAILS CROSS SECTIONS D-D; H-H; I-I					
Codificare / Codification System			Scara / Scale	LOT / LOT	Nr. / No
EAS1 01 E 17 WB CC 00 8 4 011 0			1:50		01 / 01