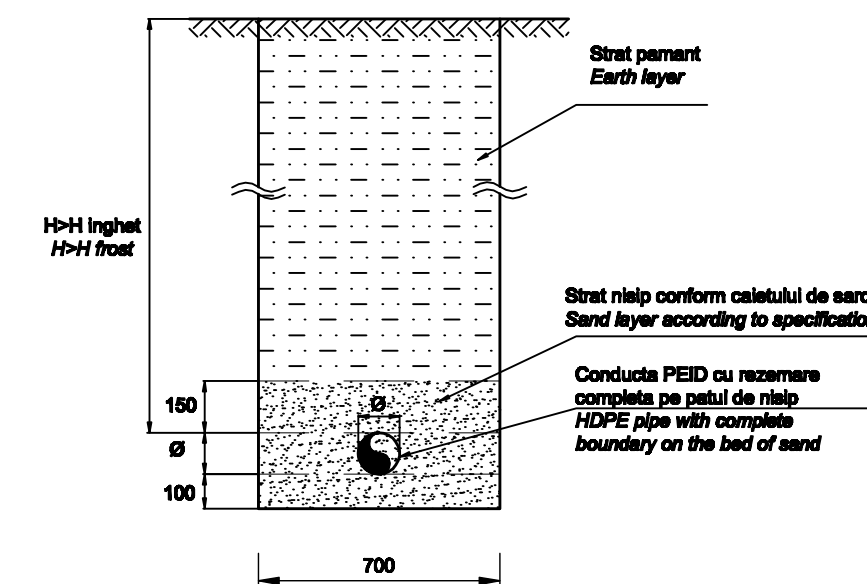


DETALIU POZARE CONDUCTA PEID IN TRANSEE
HDPE PIPE LOCATION DETAIL IN THE TRENCHES

Scara/Scale : 1 / 20

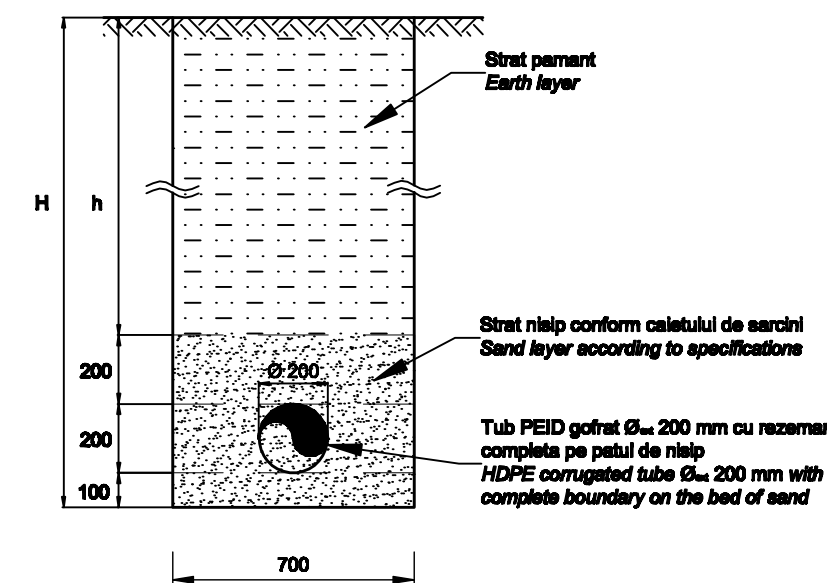


DETALIU POZARE TUB PEID GOFRA
HDPE CORRUGATED TUBE LAYING

\varnothing_{ext} 200 mm, IN TRANSEE
 \varnothing_{ext} 200 mm IN THE TRENCHES

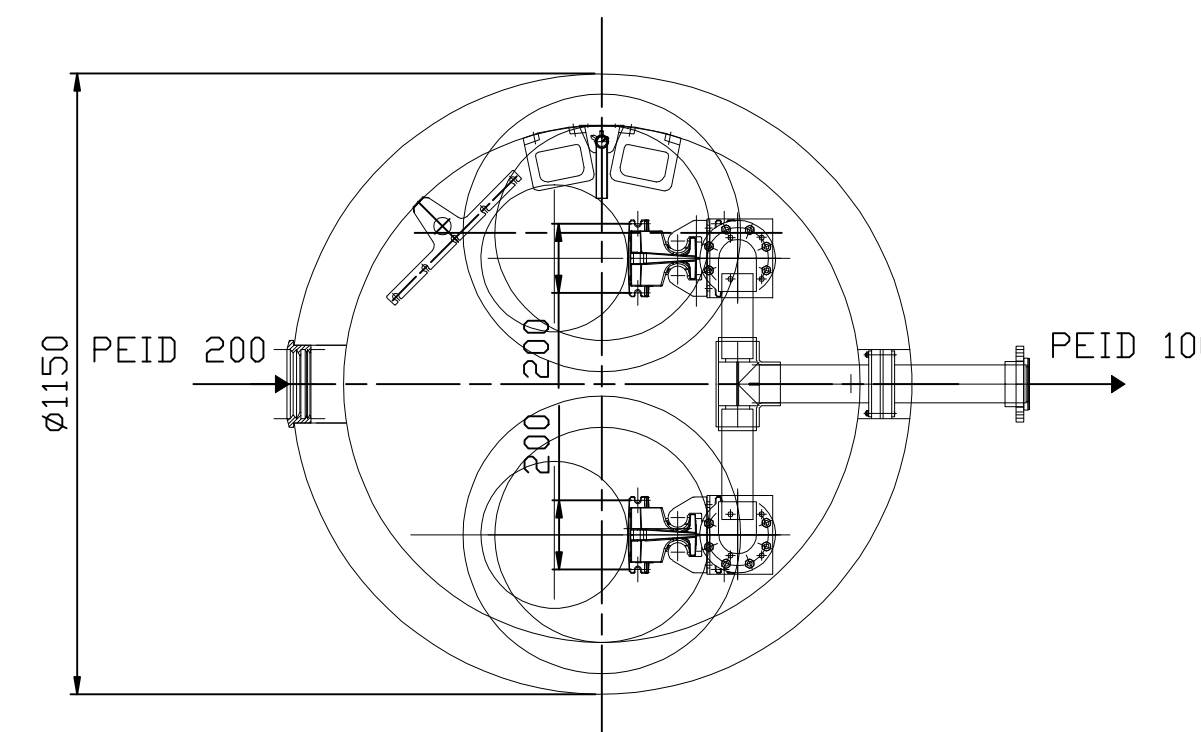
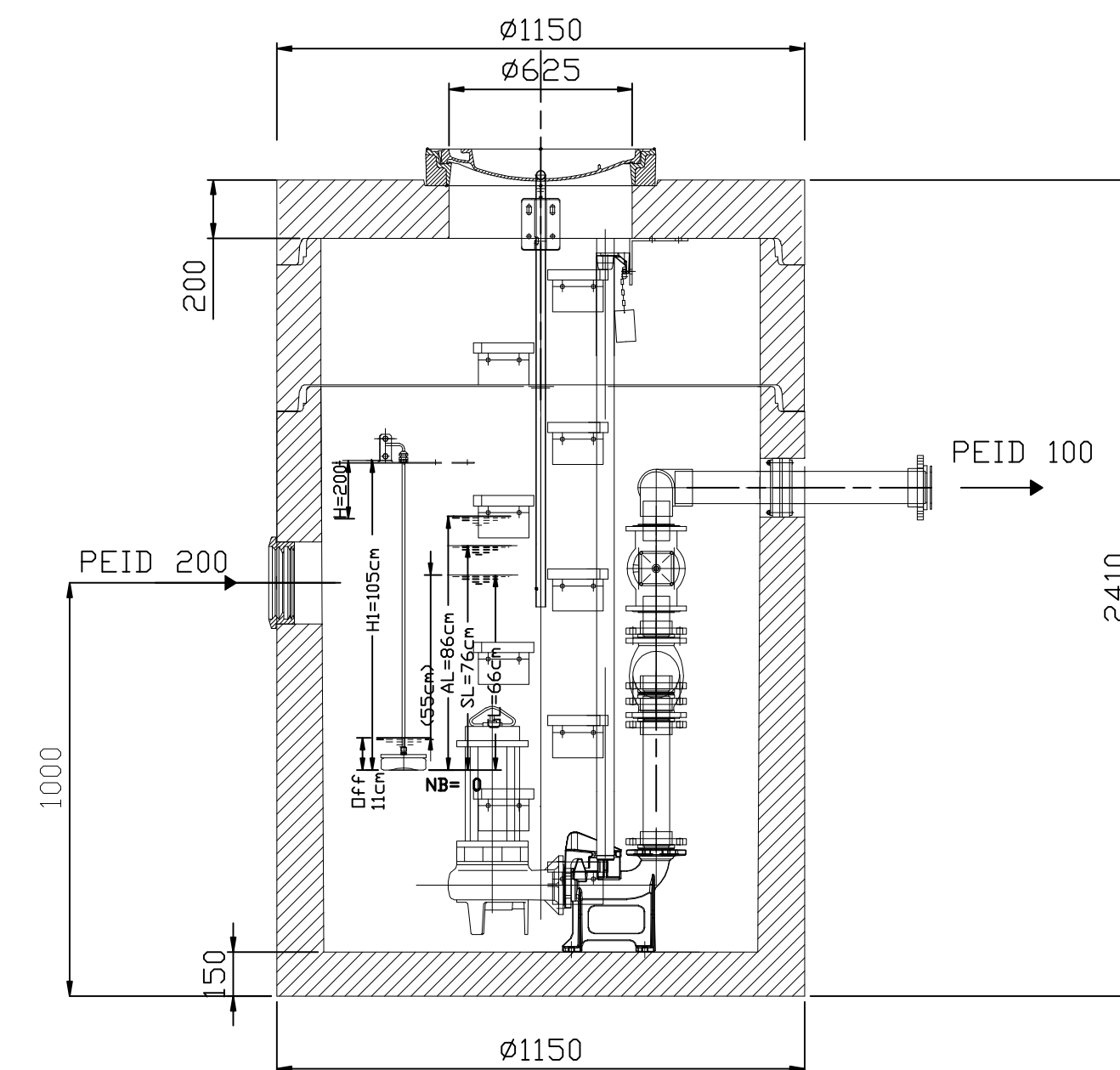
DETAIL

Scara/Scale: 1 / 20



DETALIU STATIE DE POMPARE
PUMPING STATION DETAIL

Scara/Scale 1:20



D					
C					
B					
A					
Indice Index	Data Date	Modificari Modification/Revision	Proiectant Designer	Aprobat Consultant Approved Consultant	Aprobat CFR Approved CFR



CONSULTANT / CONSULTANT			Date Date	Semnatura Signature
Aprobat Approved	Șef proiect Project manager	R. Liuzza	DEC. 2011	[Signature]
Aprobat Approved	Coordonator Secțiune 1 Section 1 Coordinator	C. Gambelli	DEC. 2011	[Signature]
Verificat Checked	Expert Verificator Verifier Expert	Giuseppe Floravanti	DEC. 2011	[Signature]

SUBCONTRACTANT / SUBCONTRACTOR			Date Date	Semnatura Signature
Aprobat Approved	Responsabil Subcontractant Subcontractant Responsible	A.Stanciu - Dinulescu	DEC. 2011	[Signature]
Intocmit Elaborated	Proiectant Designer	Anca Ionescu	DEC. 2011	[Signature]

Reabilitarea liniei de cale ferata Brasov - Simeria, parte componentă a coridorului IV Pan European, pentru circulația trenurilor cu viteză maximă de 160 km/h, Tronsoanel : Brasov - Sighișoara
 Rehabilitation of the railway line Brasov - Simeria, component Part of the IV Pan-European Corridor, for the trains circulation with maximum speed of 160 km/h, Section : Brasov - Sighișoara

Proiect/Project 2004/RO16/PPA003
 Faza / Phase: D.E. / E.D.

Denumire desen / Drawing Title :
 CLADIRE OCC BRASOVI / OCC BRASOV BUILDING
 Detalii execuție rețele apă canal
 Water and sewer network execution details

Codificare / Codification System	Scara / Scale 1:20	LOT / LOT	Nr. / No 01 / 01
E A 5 1 0 1 E 0 1 B C I S 0 0 2 9 0 0 5 0			