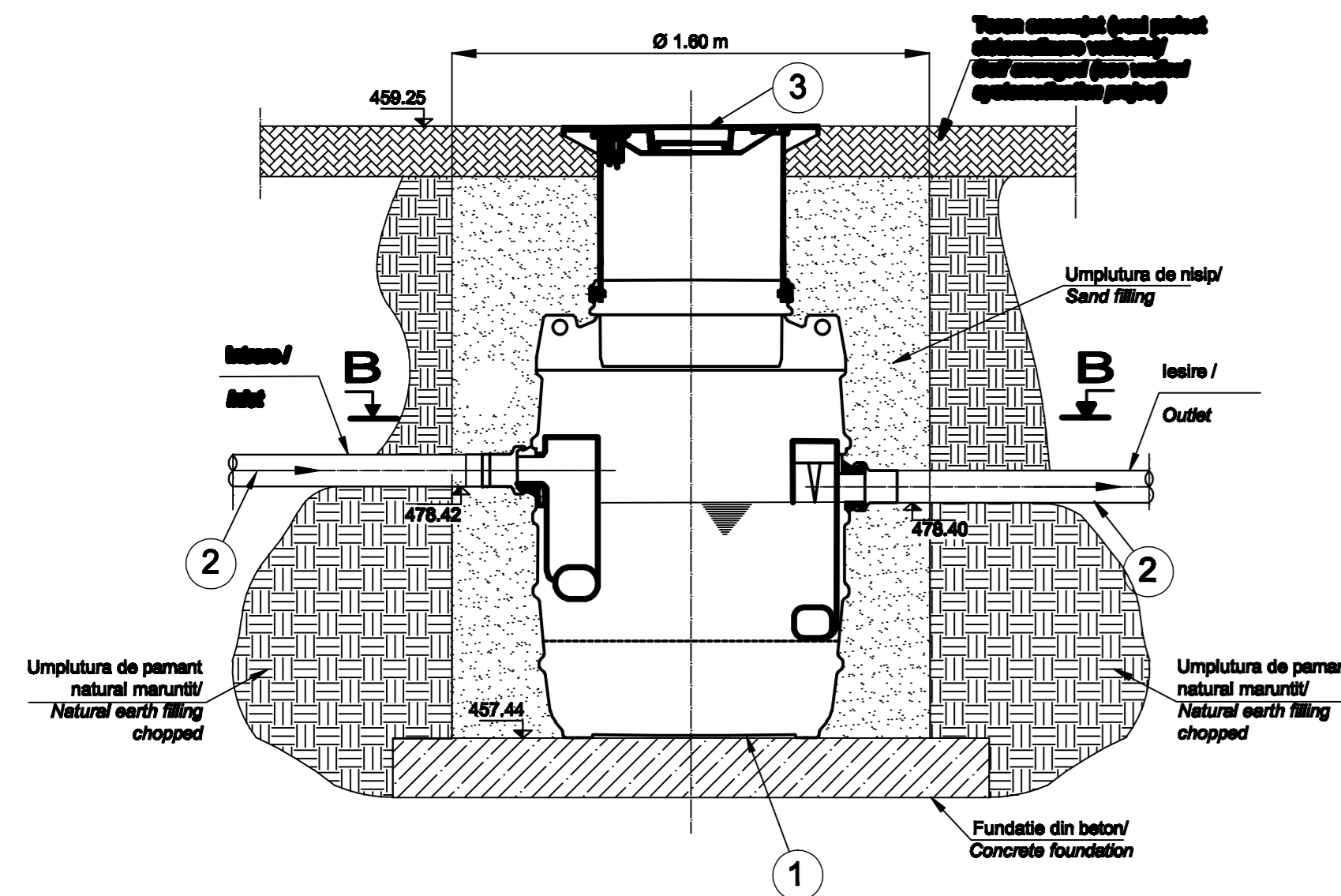


**SEPARATOR DE NAMOL SI HIDROCARBURI/
MUD AND HYDROCARBONS SEPARATOR**

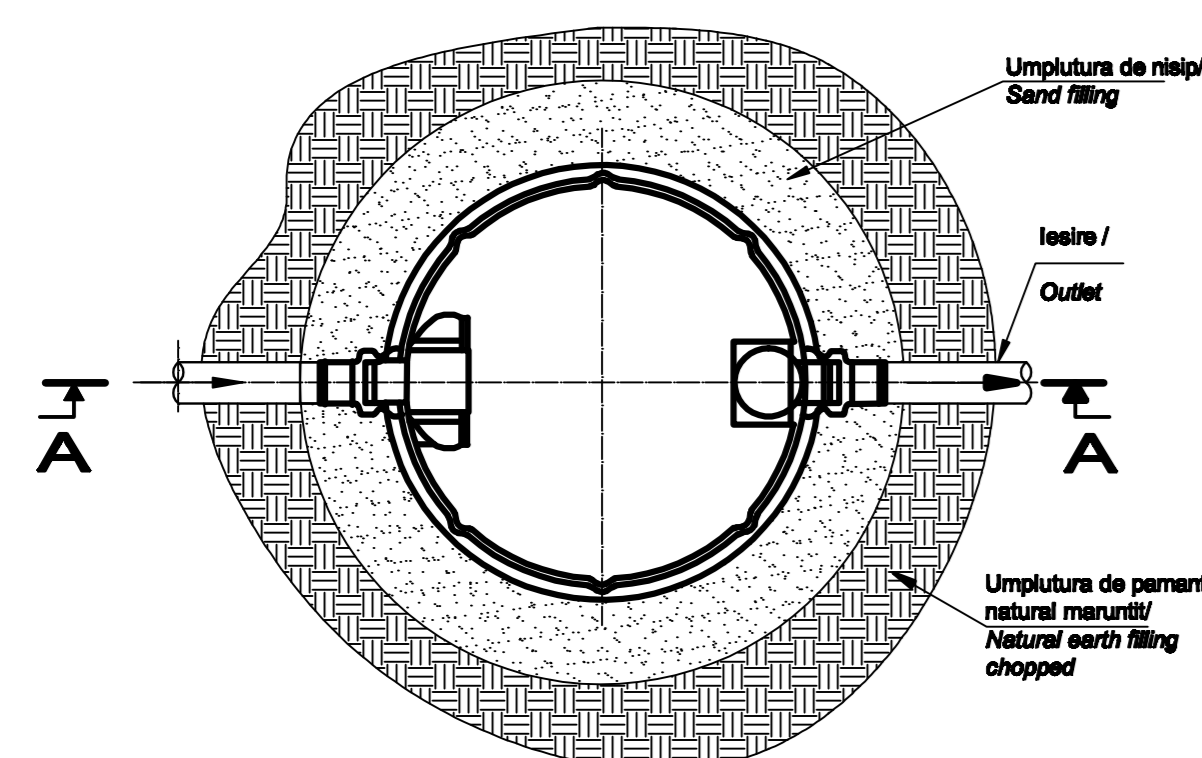
SECTIUNEA A - A / SECTION A - A

Scara/Scale 1 : 20



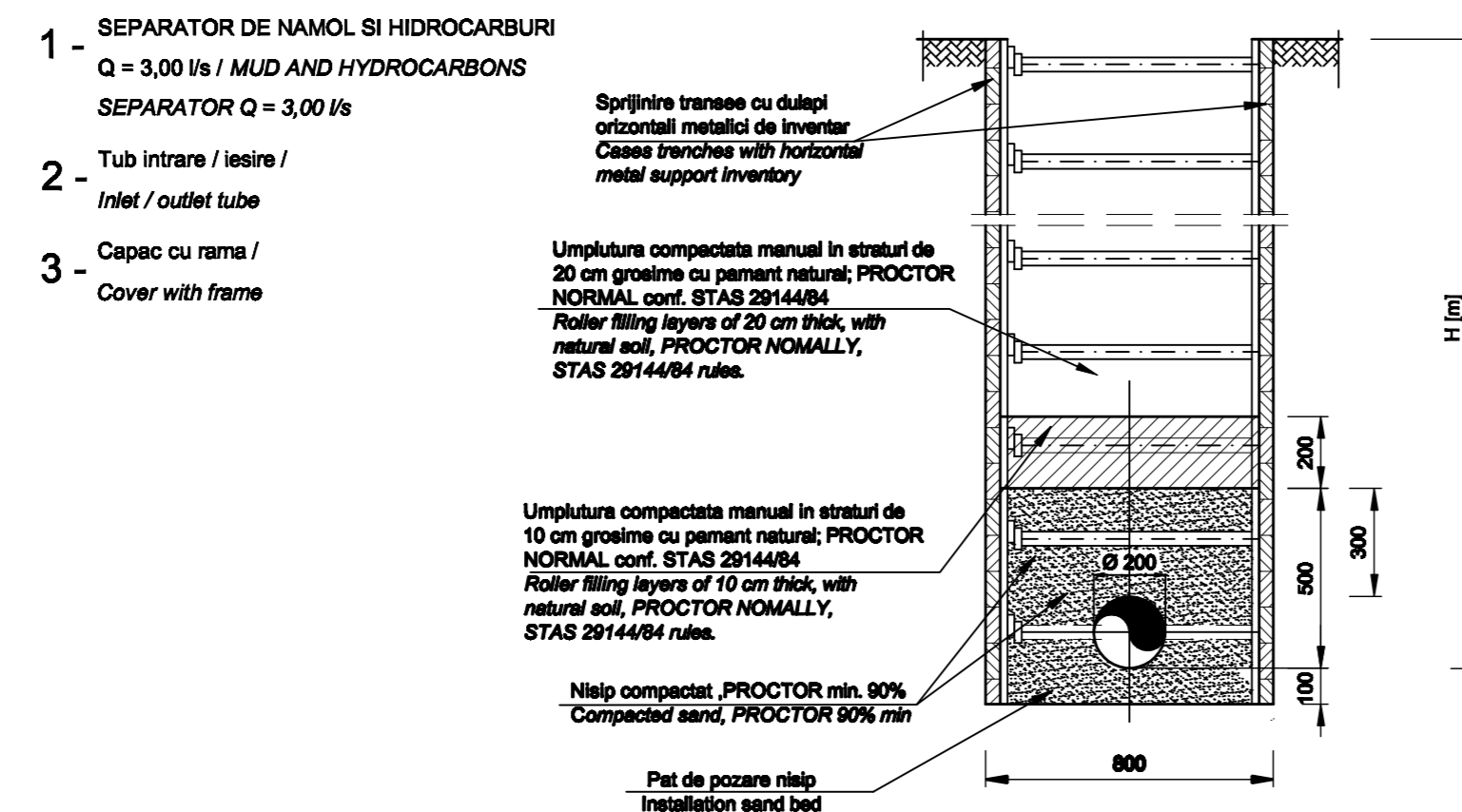
SECTIUNEA B - B / SECTION B - B

Scara/Scale 1 : 20



**DETALIU POZARE TUB IN TRANSEE/
TUBE LAYING IN THE TRENCHES DETAIL**

Scara/Scale: 1 / 20

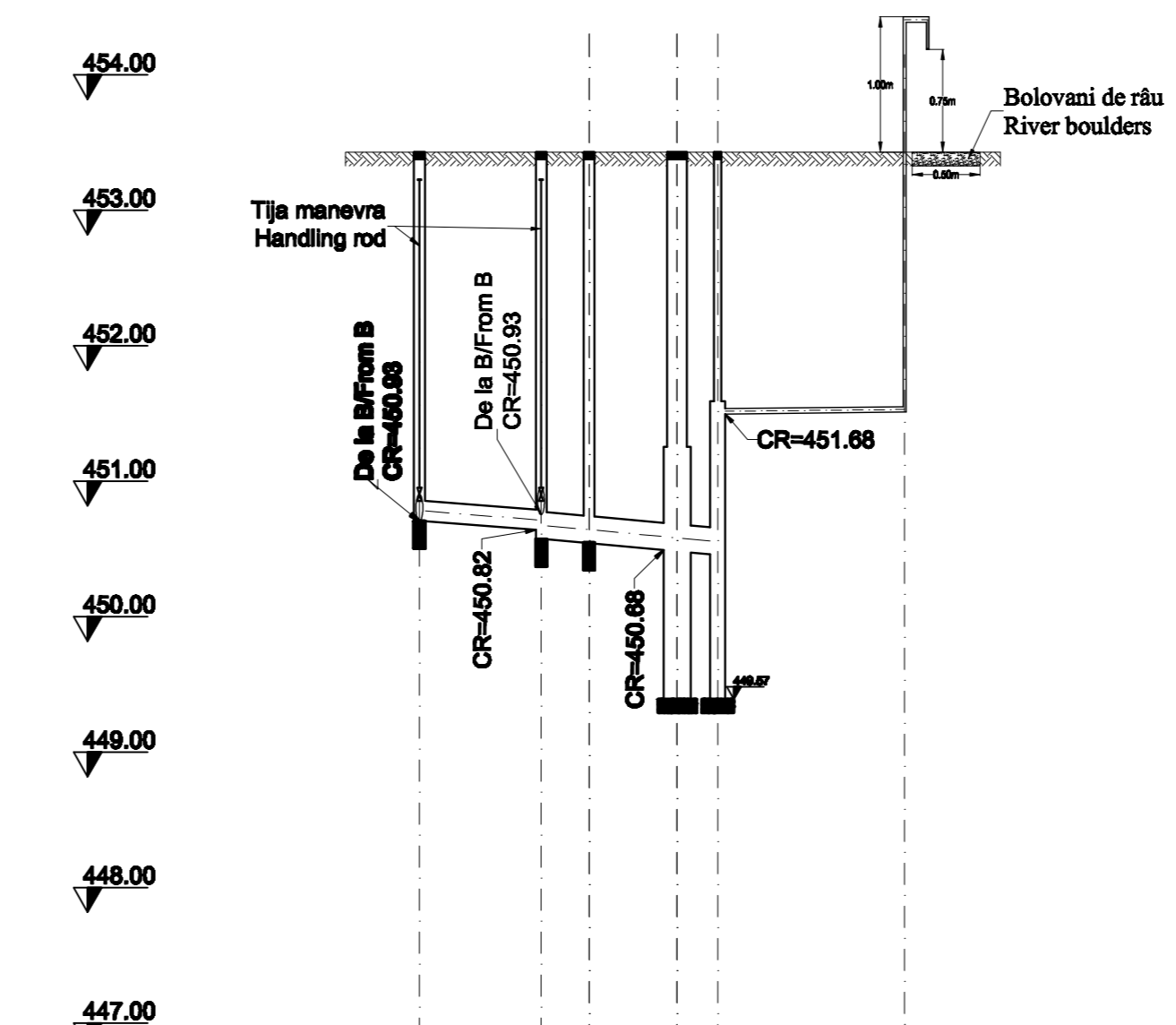


NOTA / NOTE:

- * Zona de acoperire si patul de pozare sunt compactate la aproximativ 91% PROCTOR NORMAL, STAS 2914/97.
- * In teren macroporic, conducta se va poza pe un pat de umplutura de 10 cm de pamant selectat si bine compactat.
- l_1 = latime sant conducta
- l_2 = latime sant ramificatii bransante
- ϕ = diametru conducta sau ramificatie bransant
- * Coverage and laying bed will be compacted about 91% NORMAL PROCTOR, STAS 2914/97.
- * Macroporous field, the pipeline will be sit on a bed of 10 cm of earth filling and well compacted selected.
- l_1 = pipeline trench width
- l_2 = trench width branching ramifications
- ϕ = diameter pipe or branch ramification

EXECUTAREA LUCRARILOR DE MONTAJ A REZEI DE CANALIZARE APA UZATA SE VA FACE CU RESPECTAREA PRESCRIPTIILOR DIN CAIETUL DE SARCINI SPECIFIC ACESTUI TIP DE LUCRARE.

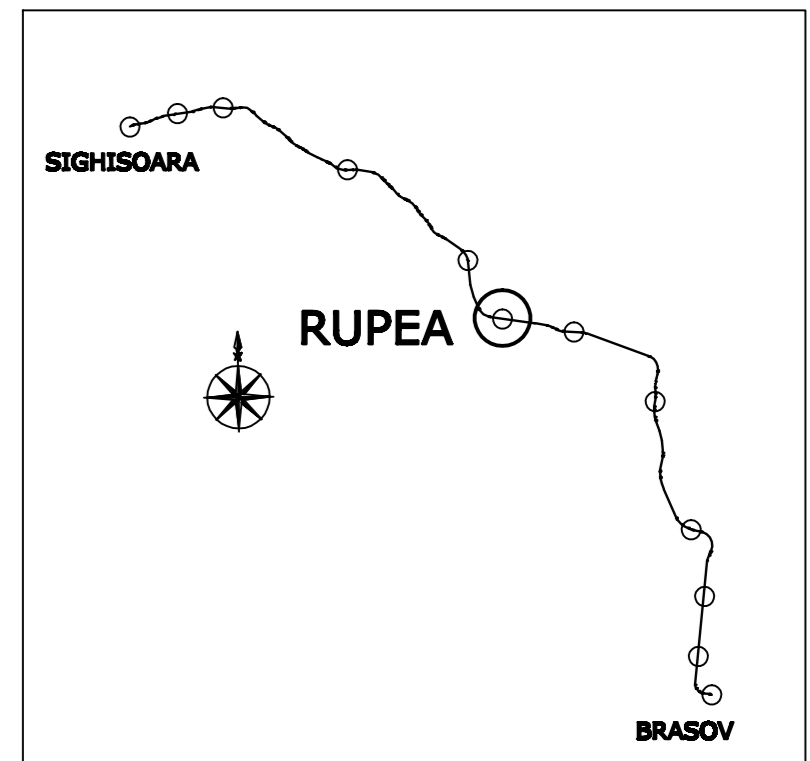
THE EXECUTION OF THE FIXING WORKS FOR WASTEWATER NETWORK WILL BE CARRIED OUT ACCORDING TO THE PROVISIONS OF THE TECHNICAL SPECIFICATIONS THAT ARE INTENDED FOR THIS TYPE OF WORKS.



Numar camin	Manhole number	CV1	CV2	C	SU	SP	GV
Cota teren amenajat	Prepared ground level	453.81	453.81	453.81	453.81	453.81	453.81
Cota radier canal	Apron level	450.88	450.75	450.73	450.88	450.84	450.84
Adancime camin	Manhole depth	2.73	2.86	2.88	4.04	4.04	4.04
Adancime sapatura	Digging depth	2.93	3.06	3.08	4.24	4.24	4.24
Panta	Slope		7‰				1‰
Distanța între camine (m)	Distance between manholes (m)	9.00	3.53	6.50	3.00	13.80	
Distanțe cumulate (m)	Added distances (m)	0.00	9.00	12.53	19.03	22.03	35.83
Diametrul conductei (mm)	Pipe diameter (mm)	FSØ150	FSØ200			OL 12"	

LEGENDA / LEGEND:

- Conducta canalizare ape pluviale proiectata / Designed rain water sewer pipe
- Conducta refulare proiectata / Designed waste water pressure pipe
- CV / Camin de vizitare cu vana / Inspection manhole with valve
- C / Camin de vizitare / Designed inspection manhole
- S.U. / Separator de hidrocarburi / Hydrocarbone separator
- S.P. / Statie de pompare / Pumping plant
- FS / Fonta de scurgere / Cast iron
- B / Punct colectare 0.2x0.2x0.2 / Collecting point 0.2x0.2x0.2
- GV / Gura de varsare / Discharge opening



Indice	Data	Modificari	Proiectant	Proiectant	Proiectant
D					
C					
B					
A					

GUVERNUL ROMANIEI / ROMANIAN GOVERNMENT
PROIECT FINANȚAT DE UNIUNEA EUROPEANĂ / EUROPEAN UNION FINANCED PROJECT

CFR C.N.C.F. "C.F.R." - S.A.

CLIENT / CLIENT
ITALFERR GRUPPO FERROVIE DELLO STATO / Scot Wilson / OBERMEYER PLANEN + BERATEN GmbH / TECNIC Consulting Engineers

CONSULTANT / CONSULTANT		Data	Semnatura
Aprobat / Approved	Şef proiect / Project manager	R. Liuzza	DEC. 2011
Aprobat / Approved	Coordonator Secțiune 1 / Section 1 Coordinator	C. Gambell	DEC. 2011
Verificat / Checked	Expert Verificator / Checking Expert	Giuseppe Fioravanti	DEC. 2011

RESPONSABIL SUBCONTRACTANT / SUBCONTRACTOR RESPONSIBLE
A.Stancu - Dinulescu
DEC. 2011

Reabilitarea liniei de cale ferata Braşov - Simeria, parte componentă a coridorului IV Pan European, pentru circulația trenurilor cu viteză maximă de 160 km/h, Tronsoanel: Braşov - Sighişoara
Rehabilitation of the railway line Braşov - Simeria, component Part of the IV Pan-European Corridor, for the trains circulation with maximum speed of 160 km/h, Section: Braşov - Sighişoara

Denumire desen / Drawing Title:
Substația de tracțiune RUPEA / RUPEA Traction Substation
Profil longitudinal canalizare pluvială / Longitudinal profile for rainwater sewage

Codificare / Codification System	Scara / Scale	LOT / LOT	Nr. / No
E A 5 1 0 1 E 1 2 F 8 I S 0 0 2 X 0 0 1 0	H=1:50 L=1:200		01 / 01