

Daca tipul cablului nu este specificat acesta va fi considerat neecranat.
If the cable type is not specified it will be considered unshielded.

Cutie aparat pentru circuit de cale cap - receptie
Track circuit box - receiving end

Cutie aparat pentru circuit de cale cap - alimentare
Track circuit box - supplying end

Cutie aparat pentru circuite de cale - 2 capete receptie
Track circuit box - two receiving ends

Cutie aparat pentru circuite de cale - 2 capete alimentare
Track circuit box - two supplying ends

Cutie aparat pentru circuite de cale - 1 cap receptie, 1 cap alimentare
Track circuit box - receiving end-supplying end

Cutie de conectare pentru terminal releu
Track circuit box - receiving end

Cutie de conectare pentru terminal alimentare
Track circuit box - supplying end

Bobina de joanta
Joint coil

Secventa circuitului de cale
Track circuit sequence

-macazuri, semnale, cutii aparat, alte echipamente demontate si remontate sau mutate
-point machines, signals, equipment boxes other equipment demounted and remounted or moved (relocated)

-cabluri noi, macazuri, semnale, cutii aparat si alte echipamente noi
-new cables, new point machines, signals, equipment boxes and other equipment

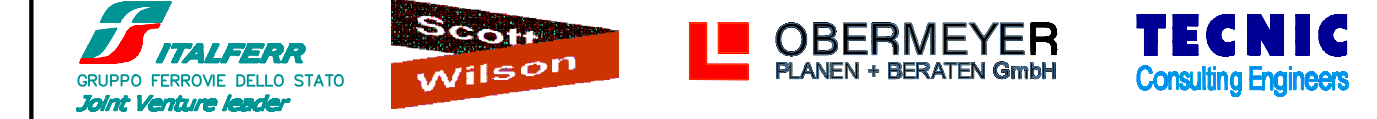
PLANURI DE REFERINTA ALCATEL:
REFERENCE DRAWINGS ALCATEL:
ESTW L90 RO-BV-6.1.
ESTW L90 RO-BV-6.2.

D					
C					
B					
A					

Indice	Data	Modificari	Proiectant	Approbat	Consultant	Approbat CFR
Index	Date	Modifications/Revision	Designer	Approved	Consultant	Approved CFR



CLIENT / CLIENT
C.N.C.F. "C.F.R." - S.A.



CONSULTANT / CONSULTANT

Approbat	Responsabil	Data	Semnatura
Approved	Self project Project manager	01.2012	
Approved	Coordonator Sectiune 1 Section 1 Coordinator	01.2012	
Verificat	Expert Cheie Key Expert	01.2012	

SUBCONTRACTANT / SUBCONTRACTOR

Approbat	Responsabil Subcontractant	01.2012	
Elaborat	Proiectant Designer	01.2012	

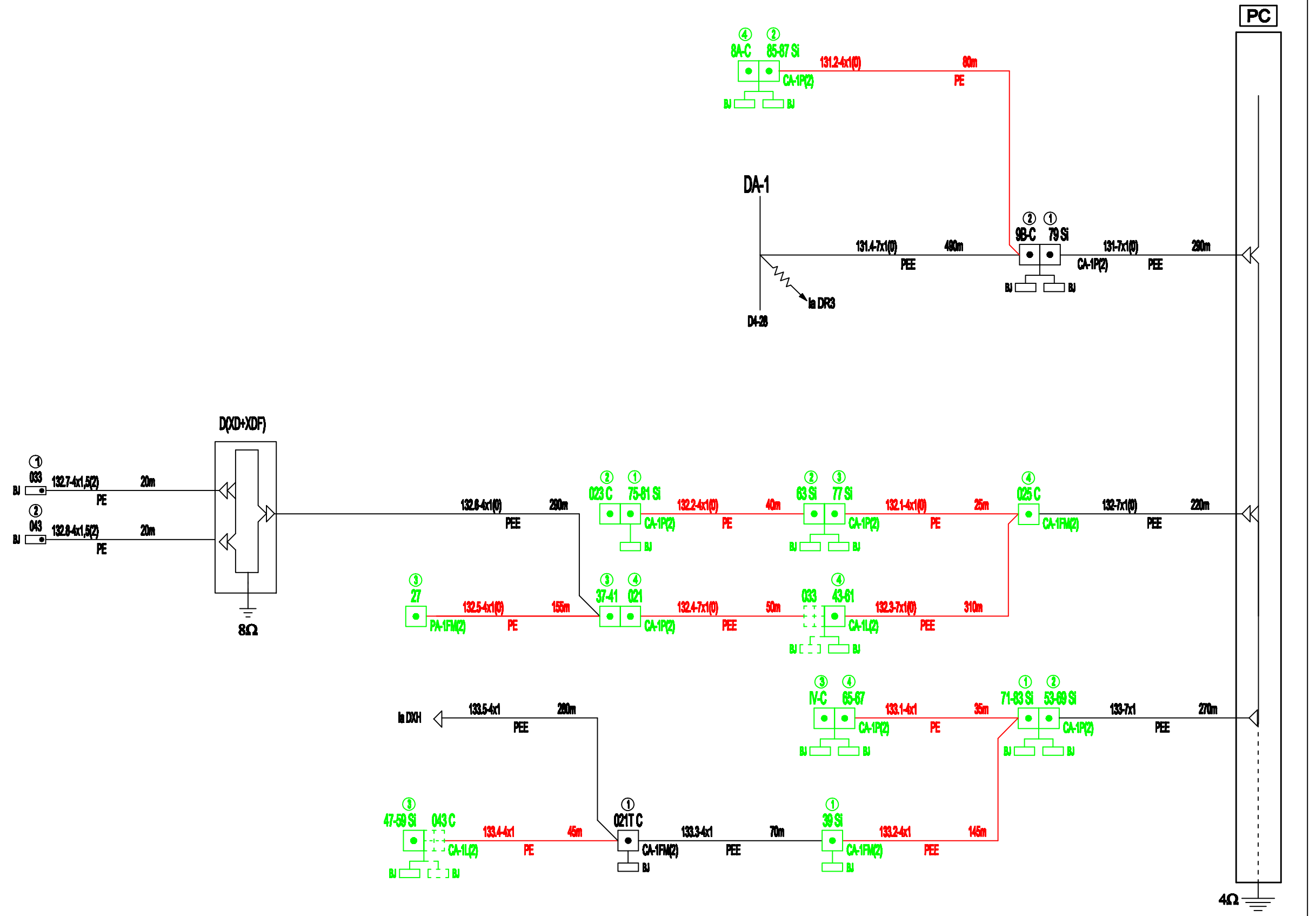
Reabilitarea liniei de cale ferata Brasov - Simeria, parte componentă a coridorului IV Pan European, pentru circulația trenurilor cu viteză maximă de 160 km/h,
Tronsonul : Brasov - Sighisoara
Rehabilitation of the railway line Brasov - Simeria, component Part of the IV Pan-European Corridor, for the trains circulation with maximum speed of 160 km/h,
Section : Brasov - Sighisoara

Denumire desen / Drawing Title:
Statia / Station BRASOV
Plan cablaj retele cabluri alimentare
Cable lay-out track circuits-supplying boxes

Codificare / Codification System

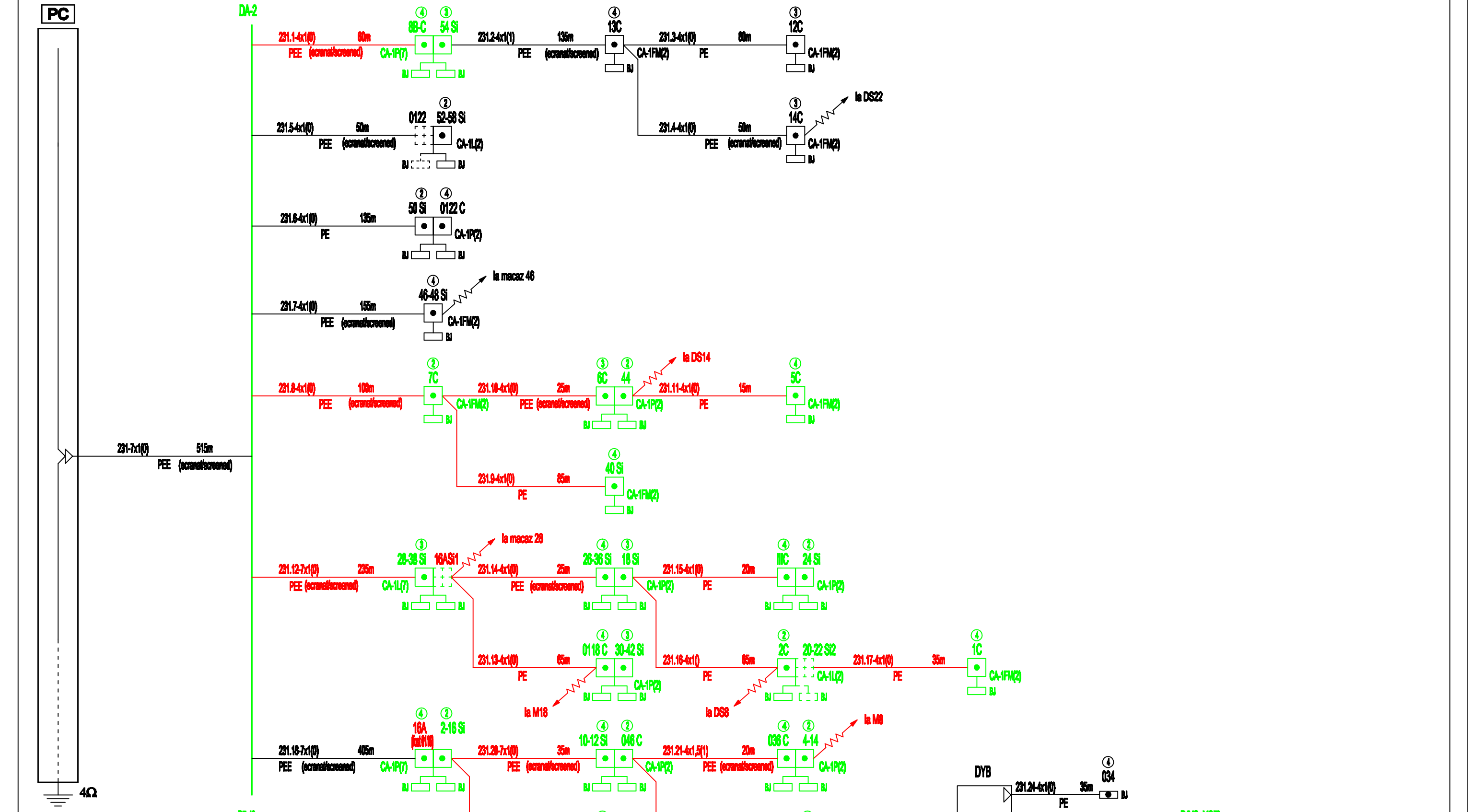
EA51	01	C	01	UX	SE	00	1	2	006	1
------	----	---	----	----	----	----	---	---	-----	---

420x297=0.13mp



Statia: Brasov

EA51 01 C 01 UX SE 001 2 006 1 2/3



Statia: Brasov

EA51 01 C 01 UX SE 001 2 006 1 3/3