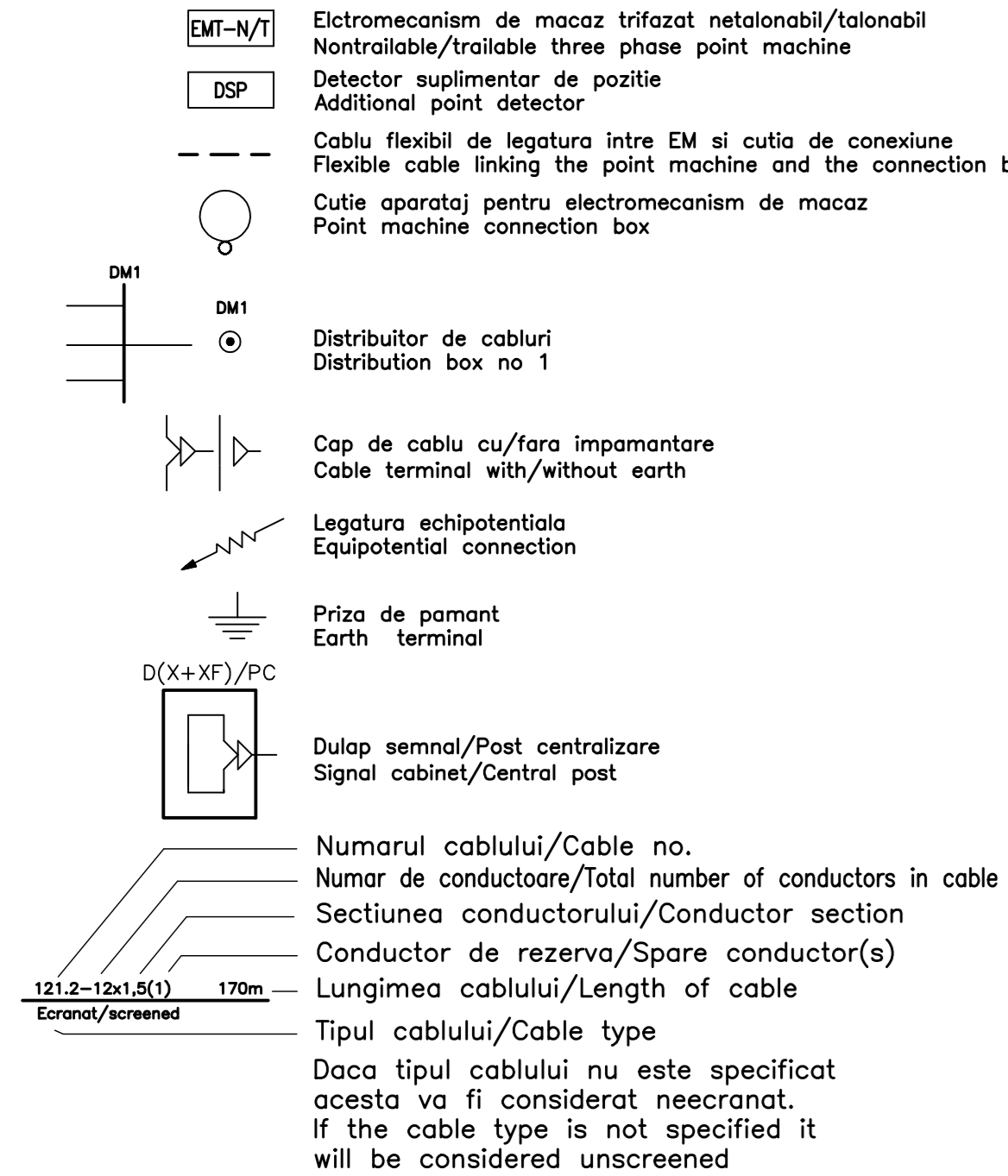


LEGENDA

SYMBOLS



D					
C					
B					
A					

Indice	Data	Modificare / Revision	Proiectant / Designer	Aprobat / Consultant / Approved	Aprobat CFR / Approved CFR
--------	------	-----------------------	-----------------------	---------------------------------	----------------------------



CONSULTANT / CONSULTANT		Data	Semnatura / Signature
Aprobat / Approved	Chief project manager	R. Liuzza	12.12.2011
Aprobat / Approved	Coordonator Sectiune 1 / Section 1 Coordinator	C. Gambelli	12.12.2011
Verificat / Checked	Expert Cheie / Key Expert	P. Amodio	12.12.2011

SUBCONTRACTANT / SUBCONTRACTOR		Data	Semnatura / Signature
Aprobat / Approved	Responsabil Subcontractant / Subcontractant Responsible	A. Stanclu - Dinulescu	12.12.2011
Elaborat / Elaborated	Proiectant / Designer	ing. Topala Madalin	12.12.2011

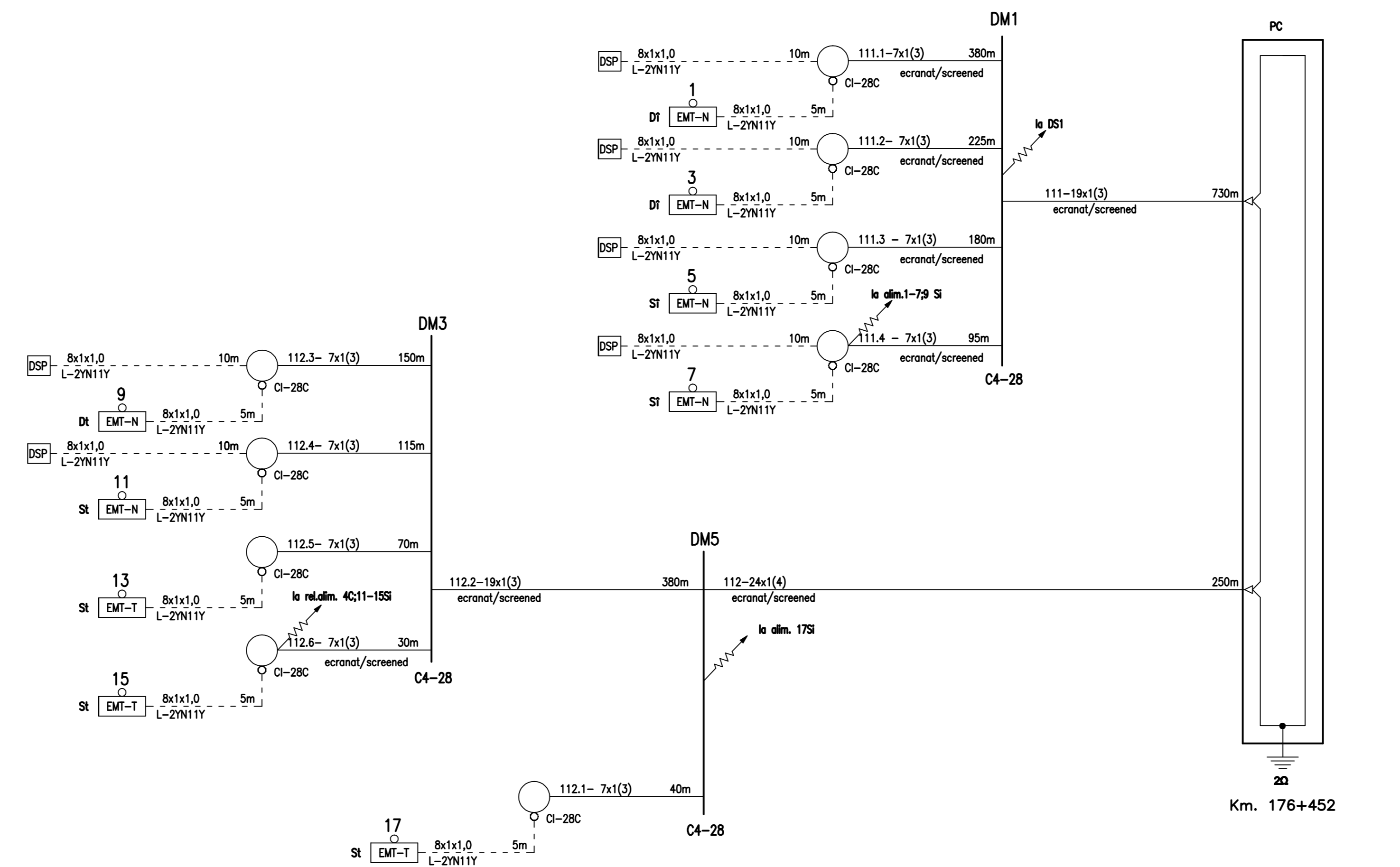
Reabilitarea liniei de cale ferata Braşov - Simeria, parte componentă a coridorului IV Pan European, pentru circulaţia trenurilor cu viteză maximă de 160 km/h, Tronsoanel : Braşov - Sighişoara

Rehabilitation of the railway line Braşov - Simeria, component Part of the IV Pan-European Corridor, for the trains circulation with maximum speed of 160 km/h, Section : Braşov - Sighişoara

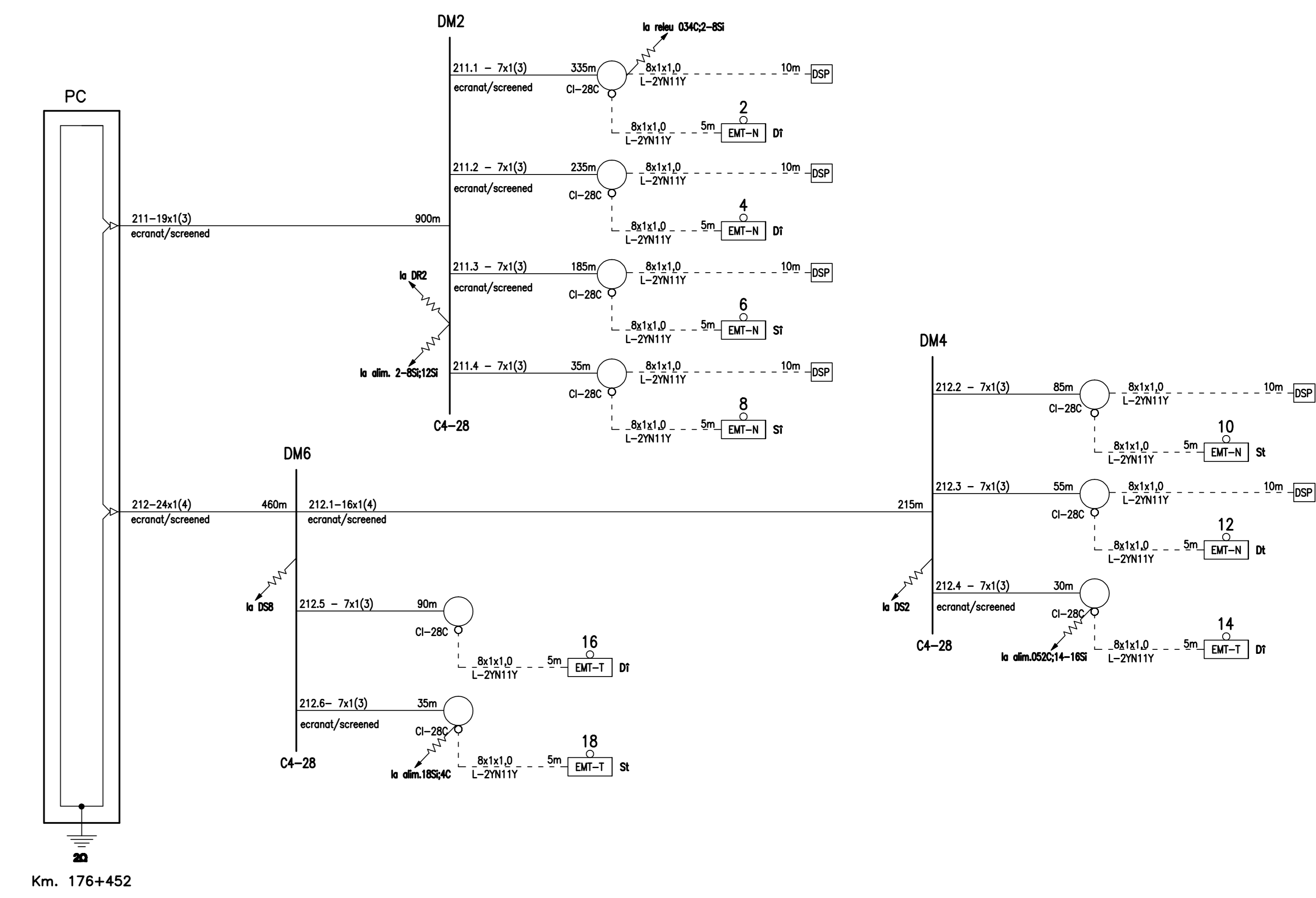
Denumire desen / Drawing Title :
Statiia / Station STUPINI
 Plan cablaj retele cabluri de macaz
 Cable lay-out for point machine

Codificare / Codification System	Scara / Scale / Fişă / No scale	LOT / LOT	Nr. / No / 01 / 08
----------------------------------	---------------------------------	-----------	--------------------

E	A	5	1	0	1	C	0	3	U	X	S	E	0	0	3	2	0	0	4	1
---	---	---	---	---	---	---	---	---	---	---	---	---	---	---	---	---	---	---	---	---



Plan de cablaj al pichetilor de macaz cap X - C 111,112
 Cable lay-out for point machine X end



Plan de cablaj al pichetilor de macaz cap Y - C 211,212
 Cable lay-out for point machine Y end