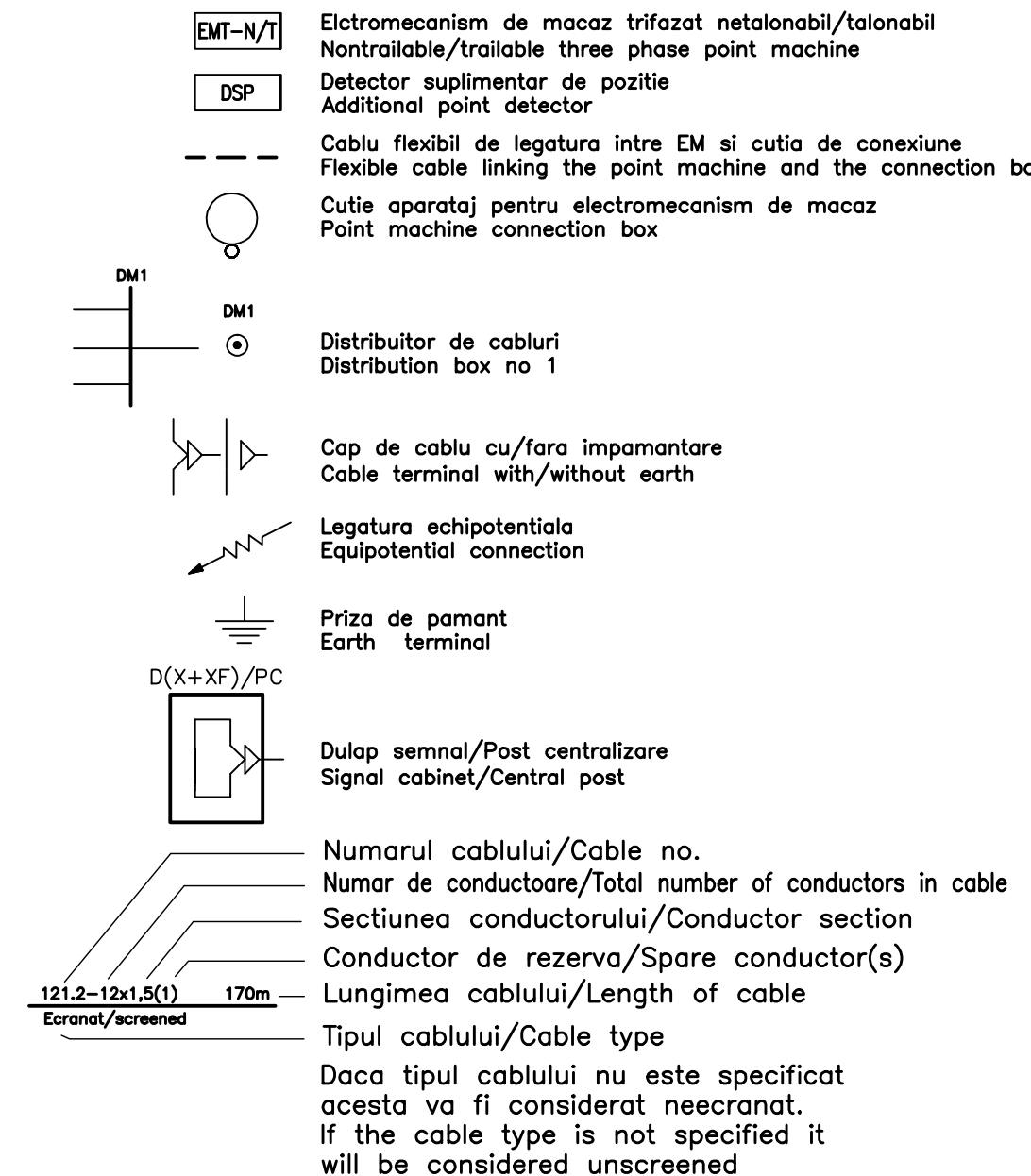
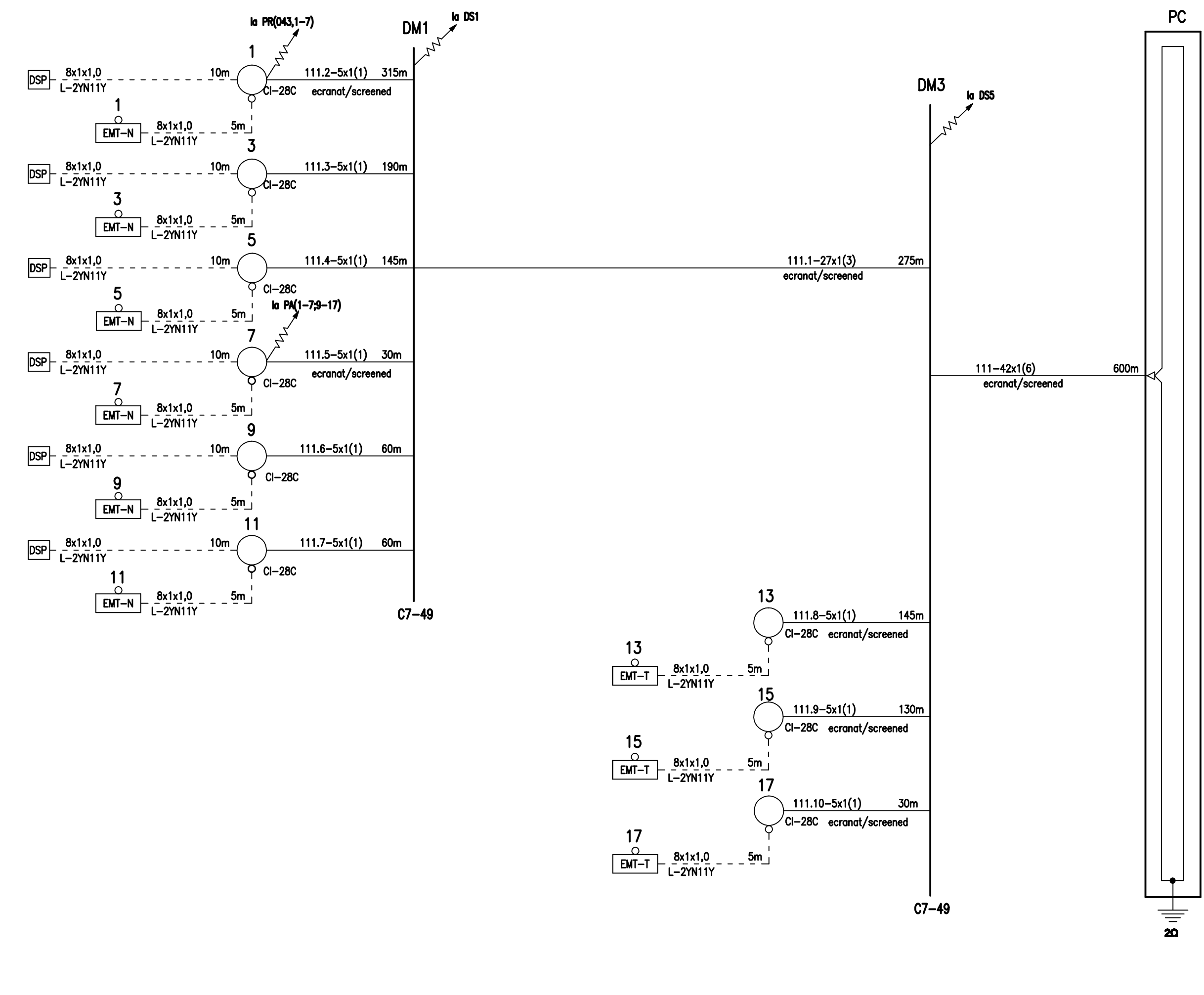


LEGENDA
SYMBOLS



| D | | | | | |
|--|---------|---|------------------------|--|------------------------------|
| C | | | | | |
| B | | | | | |
| A | | | | | |
| Indice | Data | Modificari Modification/Revision | Proiectant Designer | Approbat Consultant Approved Consultant | Approbat CFR Approved CFR |
| | | GUVERNUL ROMANIEI ROMANIAN GOVERNMENT | | PROIECT FINANȚAT DE UNIUNEA EUROPEANĂ EUROPEAN UNION FINANCED PROJECT | |
| CLIENT / CLIENT | | C.N.C.F. "C.F.R." - S.A. | | | |
| CONSULTANT / CONSULTANT | | | | | |
| Approbat | Date | Responsabil proiect | | | |
| Approved | 12.2011 | R. Liuzzi | | | |
| Approbat | Date | Coordonator Secțiune 1 | | | |
| Approved | 12.2011 | C. Gambelli | | | |
| Verificat | Date | Expert Cheie | | | |
| Checked | 12.2011 | P. Amodio | | | |
| SUBCONTRACTANT / SUBCONTRACTOR | | | | | |
| Approbat | Date | Responsabil Subconsultant | | | |
| Approved | 12.2011 | A. Stanciu - Dinulescu | | | |
| Elaborat | Date | Proiectant | | | |
| Elaborated | 12.2011 | Ing. Teodorescu Viorel | | | |
| | | Reabilitarea liniei de cale ferata Braşov - Simeria, parte componentă a coridorului IV Pan European, pentru circulația trenurilor cu viteză maximă de 160 km/h, Tronsoanel : Braşov - Sighişoara Rehabilitation of the railway line Braşov - Simeria, component Part of the IV Pan-European Corridor, for the trains circulation with maximum speed of 160 km/h, Section : Braşov - Sighişoara | | Project/Project 2004/RQ18/PPA003 Faza / Phase: P.Th. / T.D. | |
| Denumire desen / Drawing Title : Statie / Station FELDIOARA Plan cablaj retele cabluri de macaz Cable lay-out for point machine | | | | | |
| Codificare / Codification System | | Scara / Scale | LOT / LOT | Nr. / No | |
| EA51 01 C 07 UX SE 00 7 2 004 1 | | PS4 / No scale | | 01 / 03 | |

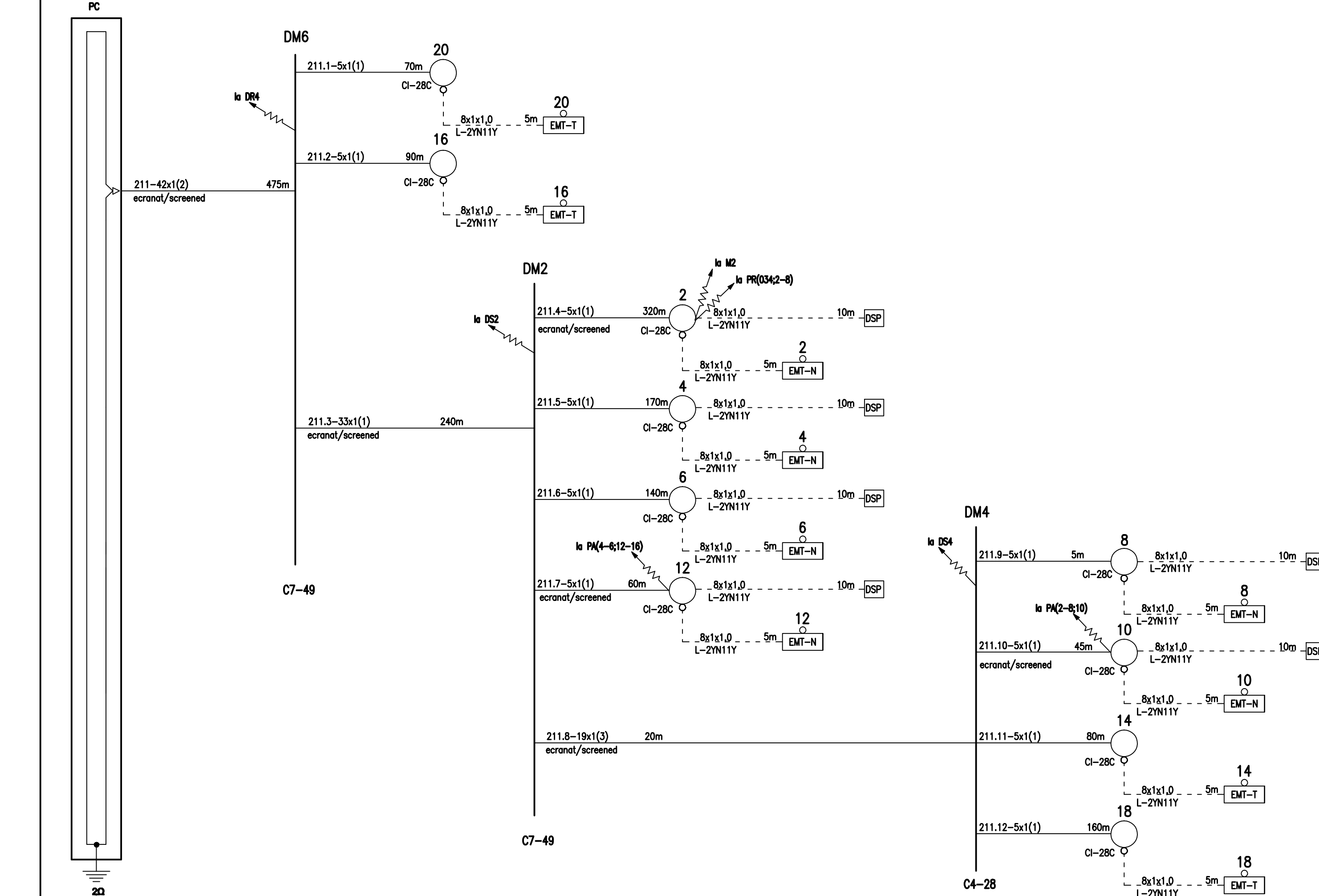
420x297=0.13mp



Plan de cablaj al pichetilor de macaz cap X - C 111
Cable lay-out for point machine X end

EA51 01 C 07 UX SE 007 2 004 1 02/03

420x297=0.13mp



Plan de cablaj al pichetilor de macaz cap Y - C 211
Cable lay-out for point machine Y end

EA51 01 C 07 UX SE 007 2 004 1 03/03

420x297=0.13mp