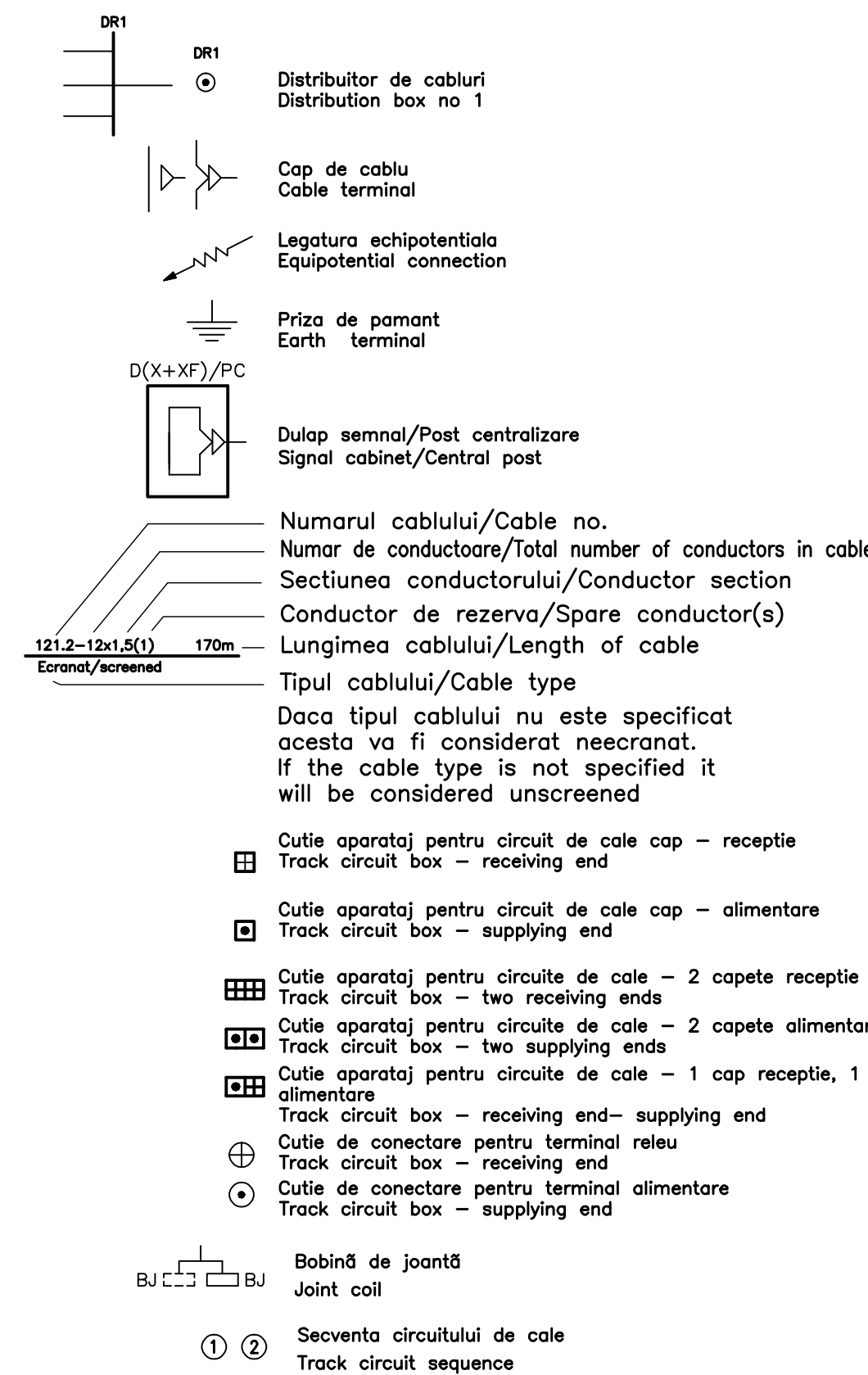
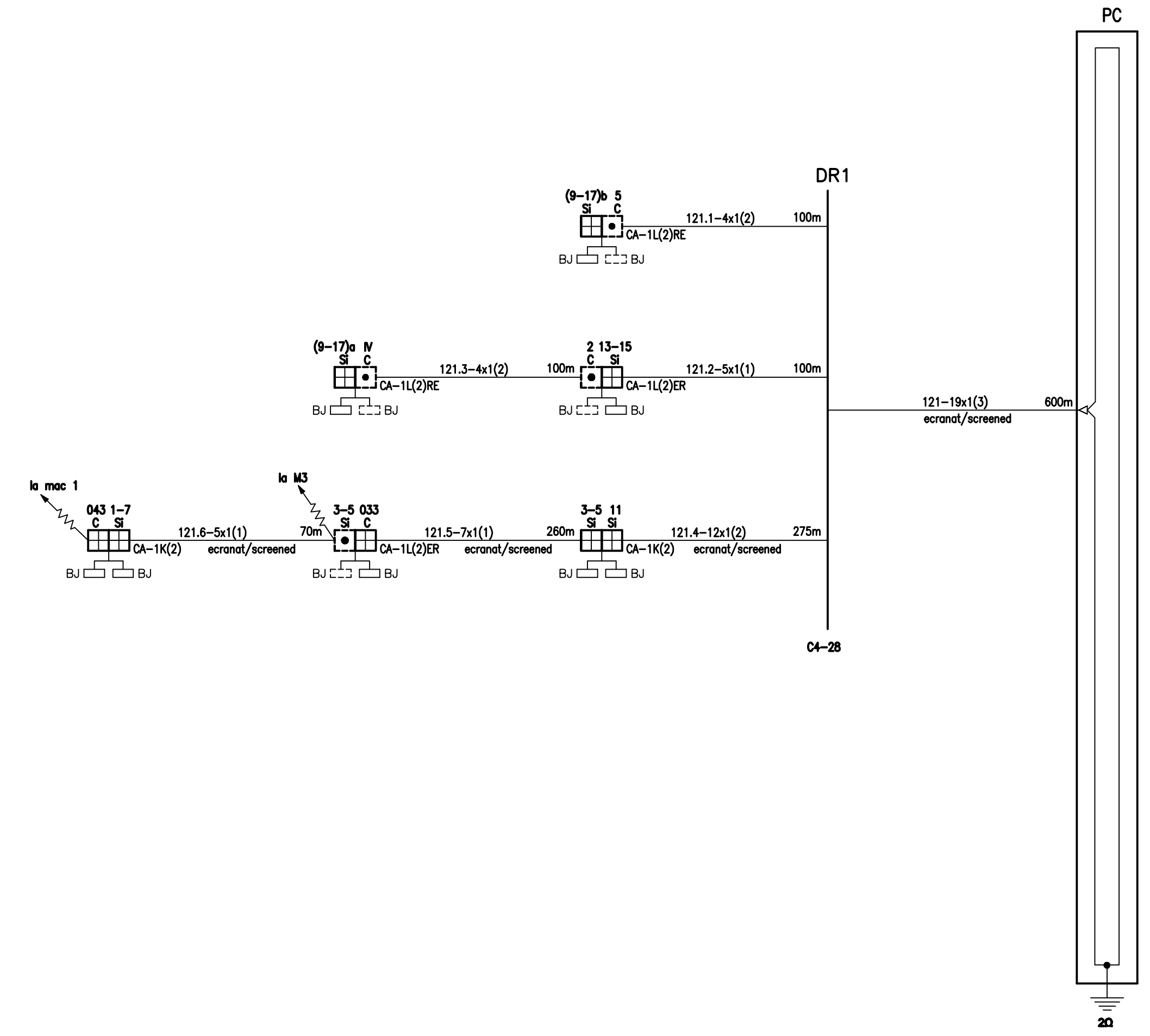


LEGENDA
SYMBOLS



D																													
C																													
B																													
A																													
Indice	Data	Modificari / Modification/Revision	Proiectant / Designer	Approbat / Approved Consultant	Approbat CFR / Approved CFR																								
<p>GUVERNUL ROMANIEI / ROMANIAN GOVERNMENT PROIECT FINANȚAT DE UNIUNEA EUROPEANĂ / EUROPEAN UNION FINANCED PROJECT</p> <p>CFR C.N.C.F. "C.F.R." - S.A.</p> <p>CLIENT / CLIENT</p> <p>CONSULTANT / CONSULTANT</p> <table border="1"> <tr> <th>Approbat / Approved</th> <th>Responsabil / Responsible</th> <th>Data / Date</th> <th>Semnatura / Signature</th> </tr> <tr> <td><input checked="" type="checkbox"/></td> <td>R. Liuzzi</td> <td>12.2011</td> <td><i>[Signature]</i></td> </tr> <tr> <td><input checked="" type="checkbox"/></td> <td>C. Gambelli</td> <td>12.2011</td> <td><i>[Signature]</i></td> </tr> <tr> <td><input checked="" type="checkbox"/></td> <td>P. Amodio</td> <td>12.2011</td> <td><i>[Signature]</i></td> </tr> </table> <p>SUBCONTRACTANT / SUBCONTRACTOR</p> <table border="1"> <tr> <th>Approbat / Approved</th> <th>Responsabil / Responsible</th> <th>Data / Date</th> <th>Semnatura / Signature</th> </tr> <tr> <td><input checked="" type="checkbox"/></td> <td>A. Stanciu - Dinulescu</td> <td>12.2011</td> <td><i>[Signature]</i></td> </tr> </table> <p>Reabilitarea liniei de cale ferata Brasov - Simeria, parte componentă a coridorului IV Pan European, pentru circulația trenurilor cu viteză maximă de 160 km/h, Tronsonul : Brasov - Sighisoara Rehabilitation of the railway line Brasov - Simeria, component Part of the IV Pan-European Corridor, for the trains circulation with maximum speed of 160 km/h, Section : Brasov - Sighisoara</p> <p>Denumire desen / Drawing Title : Stati / Station Feldioara Plan cablaj retele cabluri releu Cable lay-out track circuits - receiving boxes</p> <p>Codificare / Codification System: EA51 01 C 07 UX SE 00 7 2 006 1</p>						Approbat / Approved	Responsabil / Responsible	Data / Date	Semnatura / Signature	<input checked="" type="checkbox"/>	R. Liuzzi	12.2011	<i>[Signature]</i>	<input checked="" type="checkbox"/>	C. Gambelli	12.2011	<i>[Signature]</i>	<input checked="" type="checkbox"/>	P. Amodio	12.2011	<i>[Signature]</i>	Approbat / Approved	Responsabil / Responsible	Data / Date	Semnatura / Signature	<input checked="" type="checkbox"/>	A. Stanciu - Dinulescu	12.2011	<i>[Signature]</i>
Approbat / Approved	Responsabil / Responsible	Data / Date	Semnatura / Signature																										
<input checked="" type="checkbox"/>	R. Liuzzi	12.2011	<i>[Signature]</i>																										
<input checked="" type="checkbox"/>	C. Gambelli	12.2011	<i>[Signature]</i>																										
<input checked="" type="checkbox"/>	P. Amodio	12.2011	<i>[Signature]</i>																										
Approbat / Approved	Responsabil / Responsible	Data / Date	Semnatura / Signature																										
<input checked="" type="checkbox"/>	A. Stanciu - Dinulescu	12.2011	<i>[Signature]</i>																										

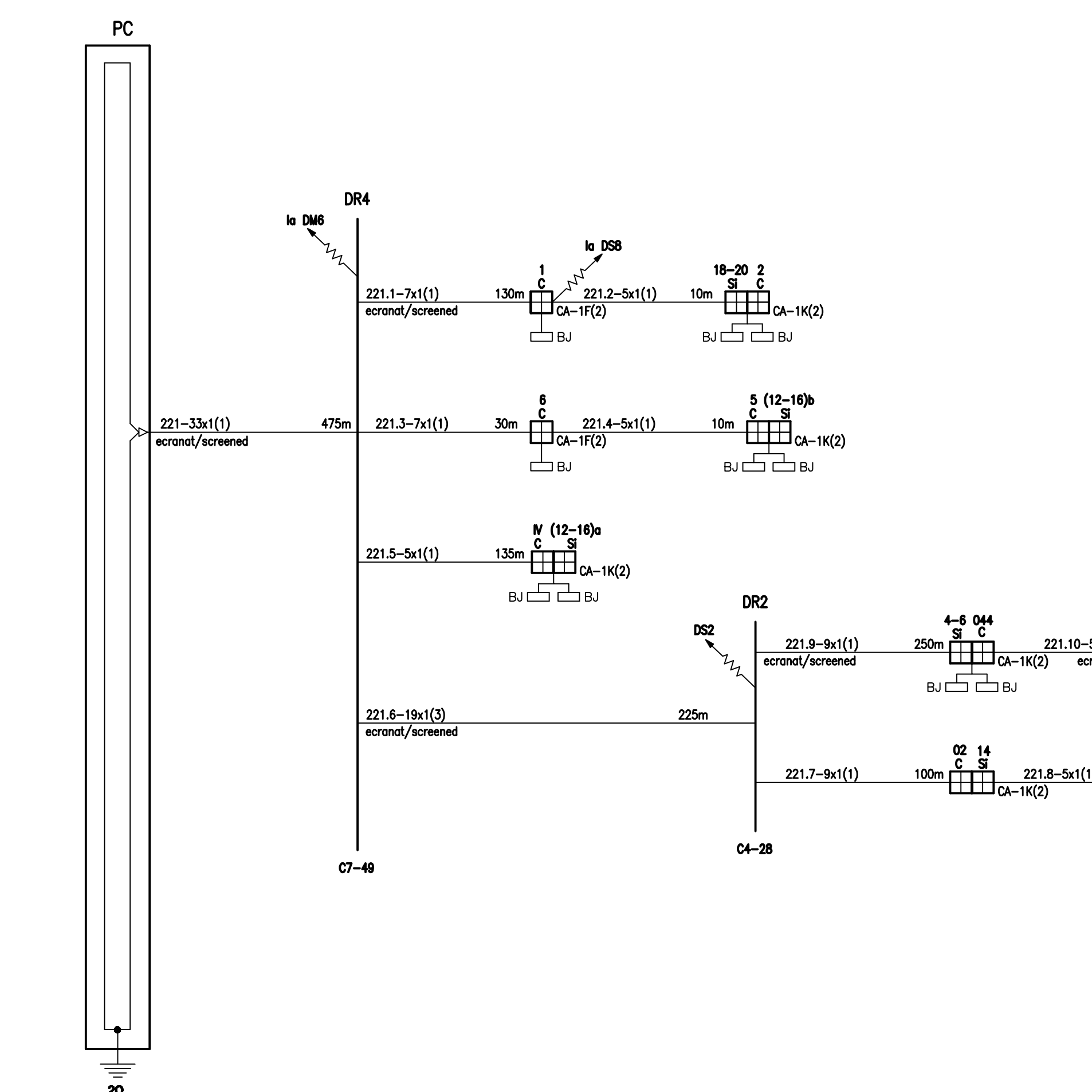
420x297=0.13mp



Plan de cablaj al pichetilor de releu cap X - C 121
Cable lay-out track circuits (receiving boxes) X end

EA51 01 C 07 UX SE 007 2 006 1 02/03
420x297=0.13mp

Stati: Feldioara



Plan de cablaj al pichetilor de releu cap Y - C 221
Cable lay-out track circuits (receiving boxes) Y end

EA51 01 C 07 UX SE 007 2 006 1 03/03
420x297=0.13mp

Stati: Feldioara