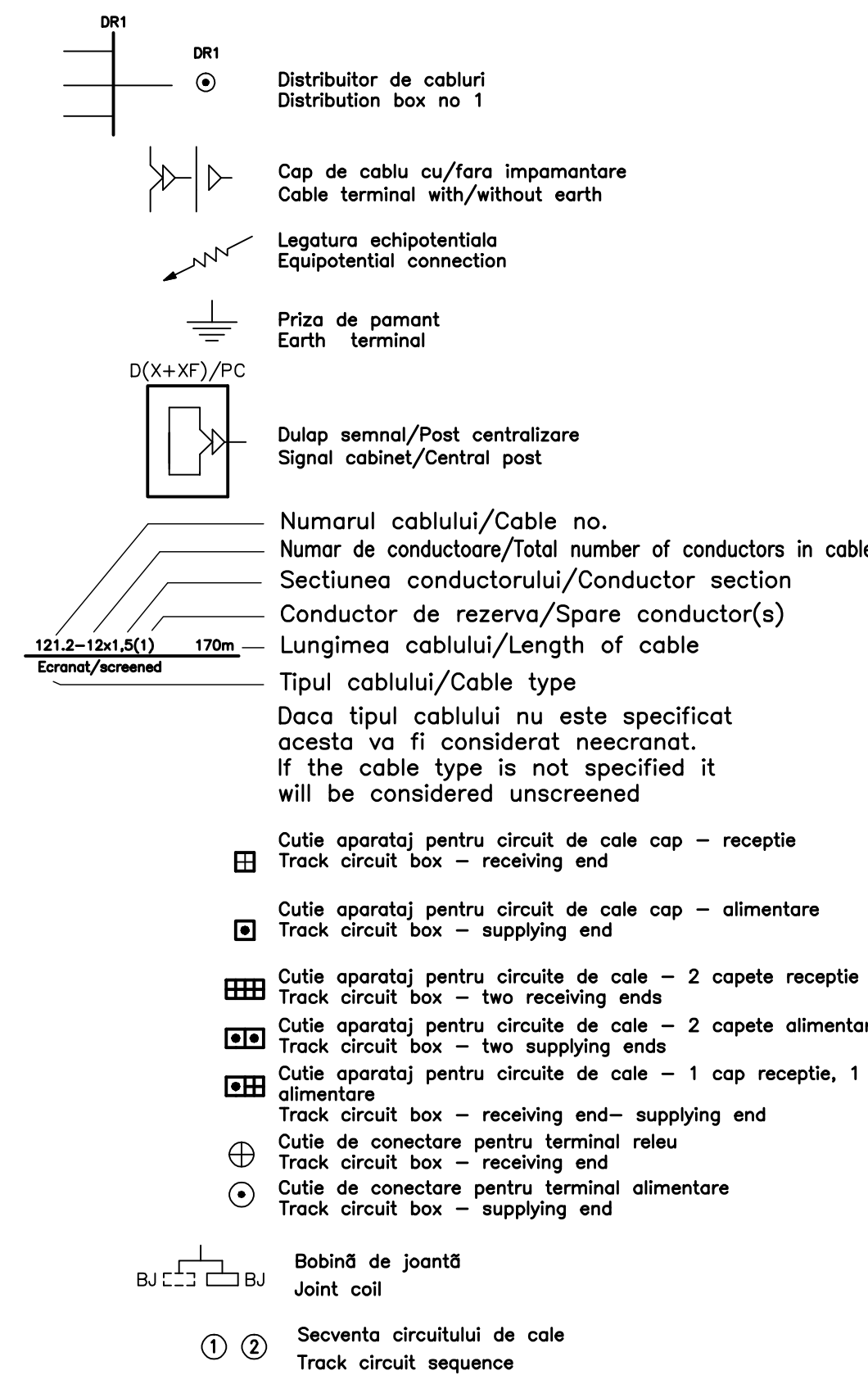


LEGENDA
SYMBOLS



D					
C					
B					
A					

Indice	Data	Modificari	Proiectant	Approbat	Approbat CFR
		Modificari/Revision	Designer	Approved Consultant	Approved CFR



CONSULTANT / CONSULTANT		Data	Semnatura
Approbat	Self protect	12.2011	
Approbat	Coordonator Sectiune 1	12.2011	
Verificat	Expert Cheie	12.2011	

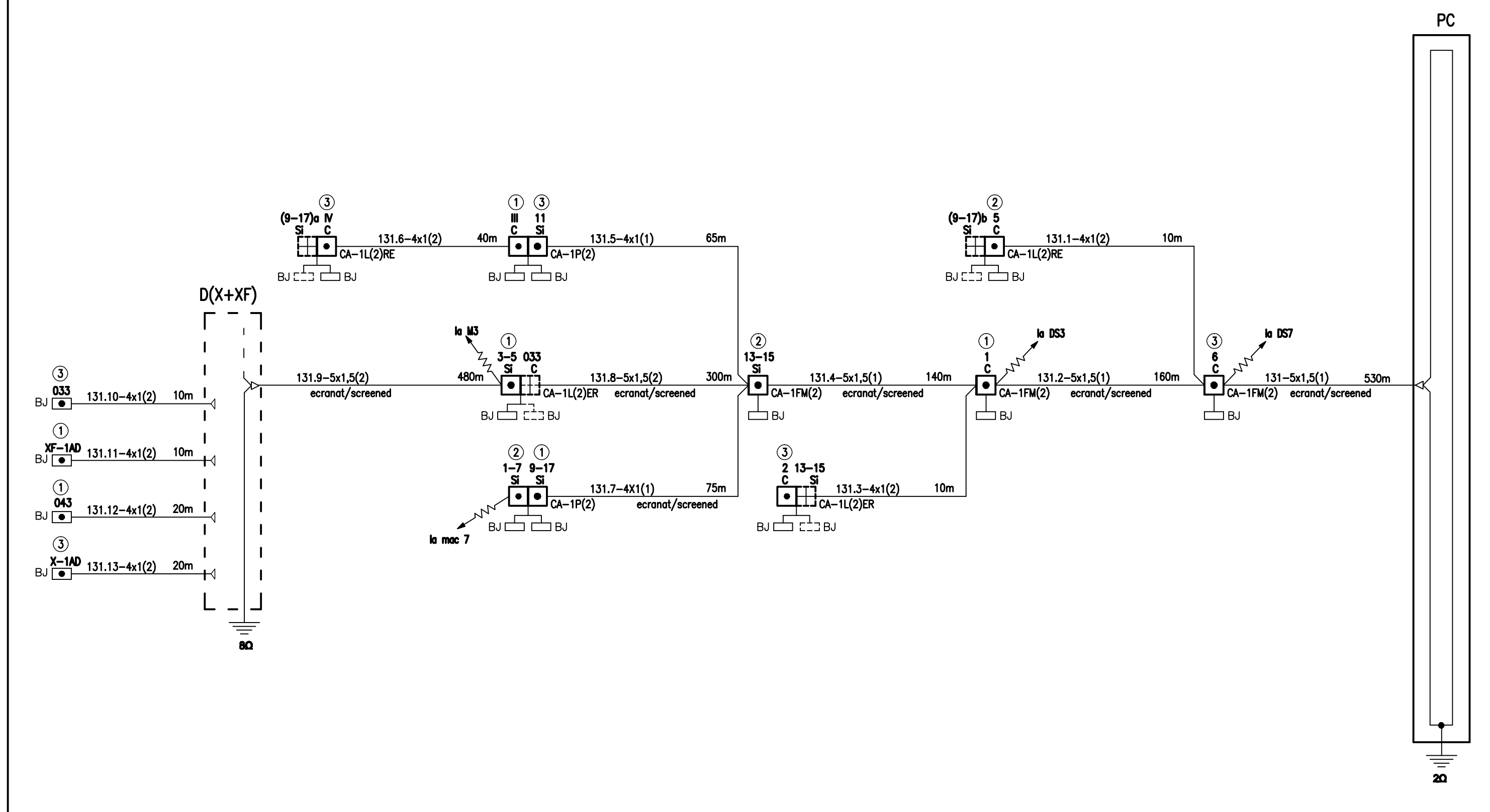
SUBCONTRACTANT / SUBCONTRACTOR		Data	Semnatura
Approbat	Responsabil Subconsultant	12.2011	
Intocmit	Proiectant	12.2011	

Reabilitarea liniei de cale ferata Brasov - Simeria, parte componenta a coridorului IV Pan European, pentru circulatia trenurilor cu viteza maxima de 160 km/h, Tronsonul : Brasov - Sighisoara
 Rehabilitation of the railway line Brasov - Simeria, component Part of the IV Pan-European Corridor, for the trains circulation with maximum speed of 160 km/h, Section : Brasov - Sighisoara

Denumire desen / Drawing Title :
 Statie / Station FELDIOARA
 Plan cablaj retele cabluri alimentare
 Cable lay-out track circuits - supplying boxes

Codificare / Codification System	Scara / Scale	LOT / LOT	Nr. / No
EA51 01 C 07 UX SE 00 7 2 008 0	P84 / No scale		01 / 03

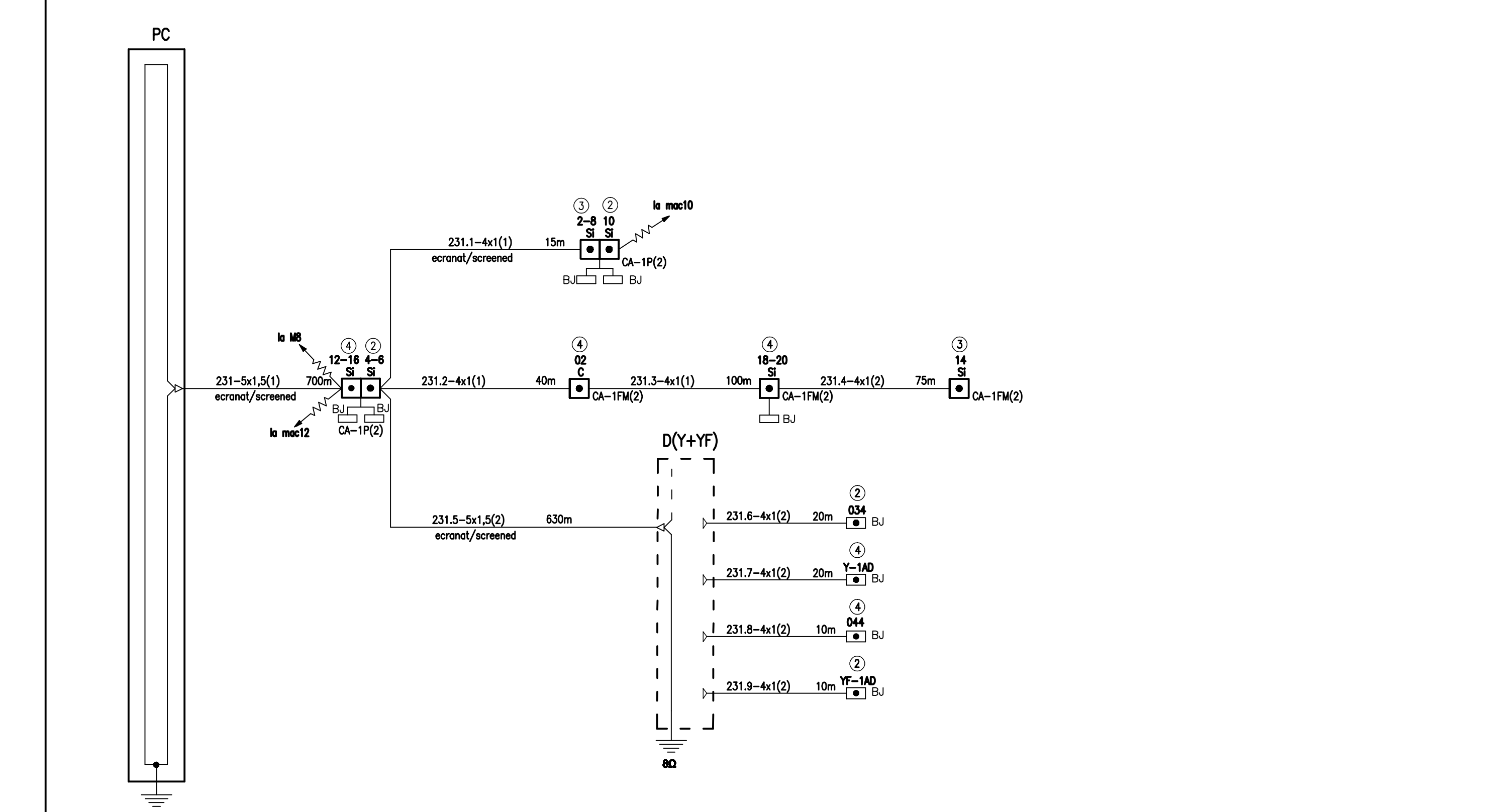
420x297=0.13mp



Plan de cablaj al pichetilor de alimentare cap X - C 131
 Cable lay-out track circuits (supplying boxes) X end

EA51 01 C 07 UX SE 007 2 008 0 02/03

420x297=0.13mp



Plan de cablaj al pichetilor de alimentare cap Y - C 231
 Cable lay-out track circuits (supplying boxes) Y end

EA51 01 C 07 UX SE 007 2 008 0 03/03

420x297=0.13mp