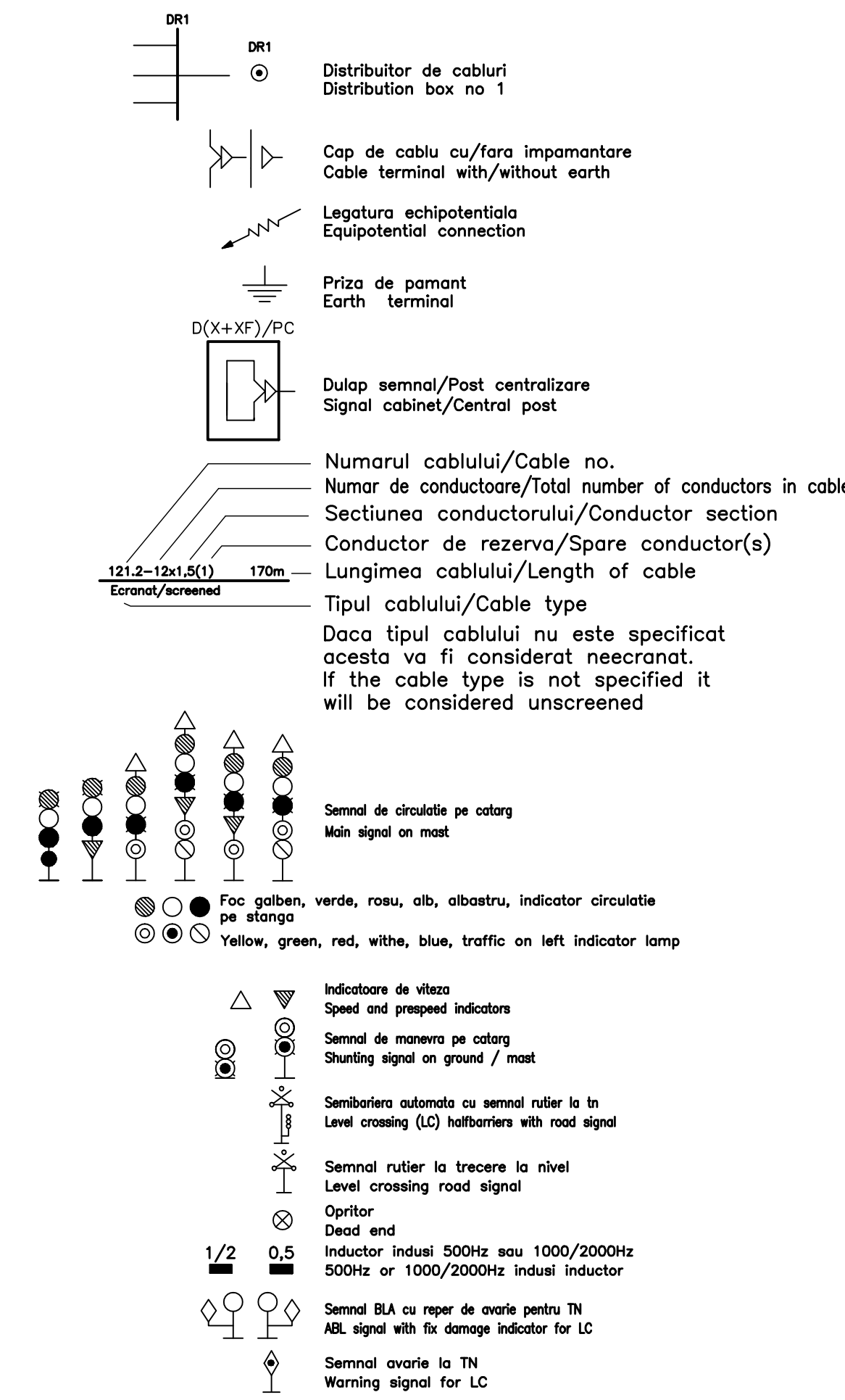


LEGENDA  
SYMBOLS



D					
C					
B					
A					

Indice	Data	Modificari / Modifications/Revisions	Proiectant / Designer	Approbat / Approved Consultant	Approbat CFR / Approved CFR
--------	------	---	--------------------------	-----------------------------------	--------------------------------



CLIENT / CLIENT		C.N.C.F. "C.F.R." - S.A.	
CONSULTANT / CONSULTANT		OBERMEYER PLANEN + BERATEN GmbH TECNIC Consulting Engineers	

Approbat / Approved	Responsabil / Responsible	Data / Date	Semnatura / Signature
Approbat / Approved	Coordonator Sectiune 1 / Section 1 Coordinator	12.2011	<i>R. Lizza</i>
Verificat / Checked	Expert Cheie / Key Expert	12.2011	<i>C. Gambelli</i>
		12.2011	<i>P. Amodio</i>

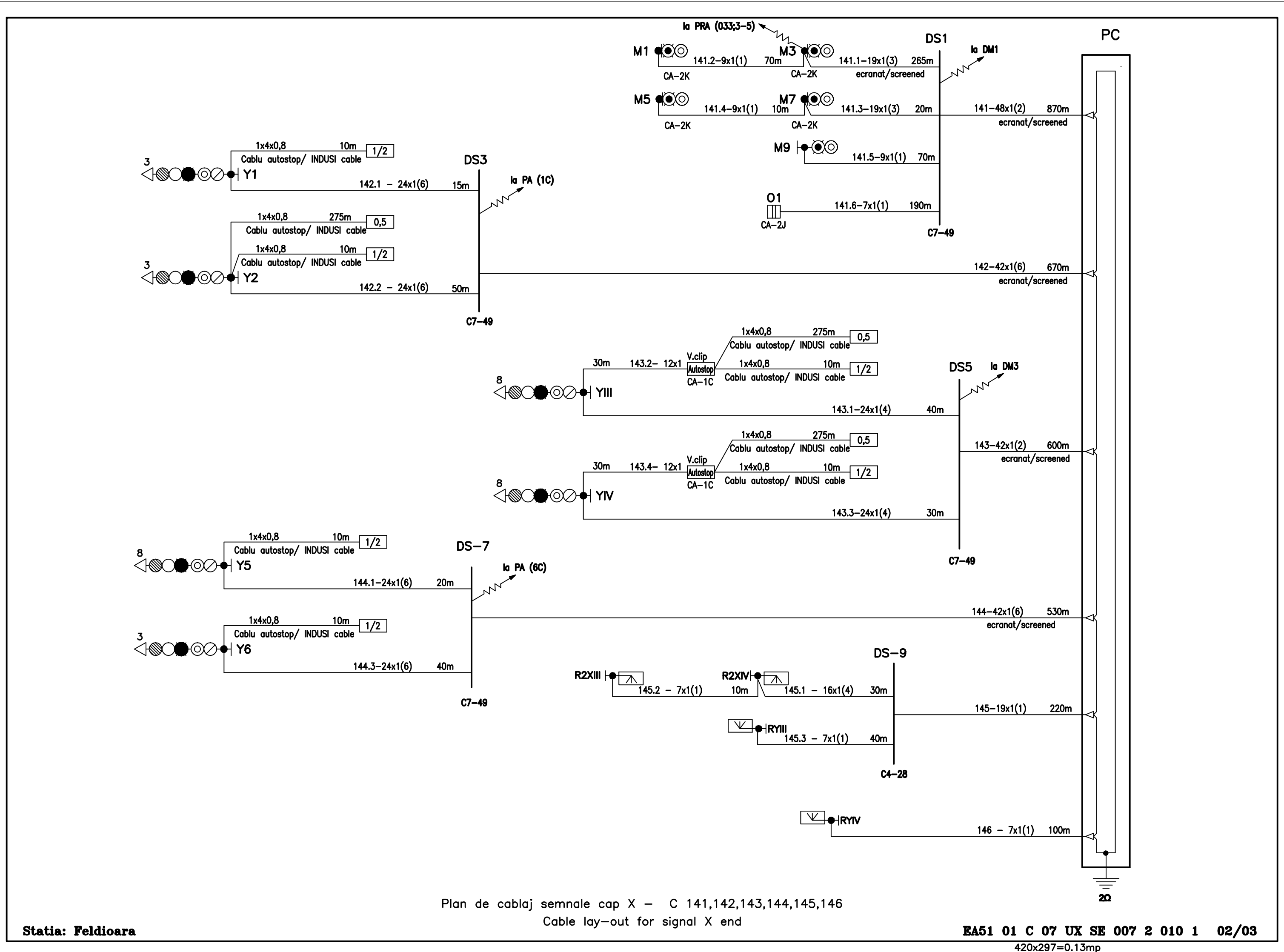
SUBCONTRACTANT / SUBCONTRACTOR		A. Stanciu - Dinulescu	
Approbat / Approved	Responsabil Subcontractant / Subcontractant Responsible	Data / Date	Semnatura / Signature
Intocmit / Elaborated	Proiectant / Designer	12.2011	<i>A. Stanciu</i>

Reabilitarea liniei de cale ferata Brasov - Simeria, parte componentă a coridorului IV Pan European, pentru circulația trenurilor cu viteză maximă de 160 km/h, Tronsoanel : Brasov - Sighisoara  
 Rehabilitation of the railway line Brasov - Simeria, component Part of the IV Pan-European Corridor, for the trains circulation with maximum speed of 160 km/h, Section : Brasov - Sighisoara

Denumire desen / Drawing Title :  
**Statia / Station FELDIOARA**  
**Plan cablaj rețea cabluri semnale**  
**Cable lay-out for signal**

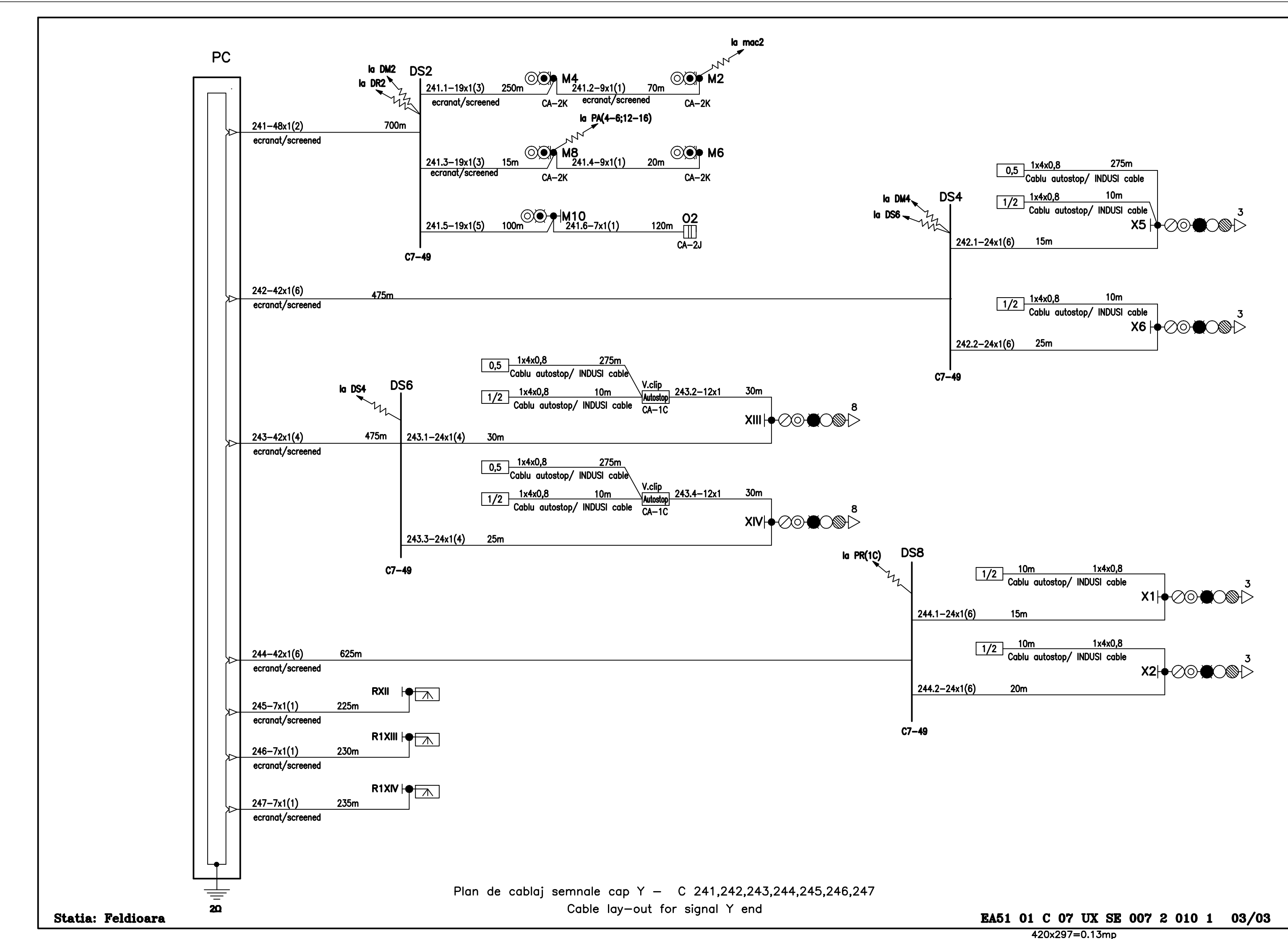
Codificare / Codification System	Scara / Scale / P&R / No scale	LOT / LOT	Nr. / No 01 / 03
EA51 01 C 07 UX SE 00 7 2 010 1			

420x297=0.13mp



Plan de cablaj semnale cap X - C 141,142,143,144,145,146  
 Cable lay-out for signal X end

EA51 01 C 07 UX SE 007 2 010 1 02/03  
 420x297=0.13mp



Plan de cablaj semnale cap Y - C 241,242,243,244,245,246,247  
 Cable lay-out for signal Y end

EA51 01 C 07 UX SE 007 2 010 1 03/03  
 420x297=0.13mp