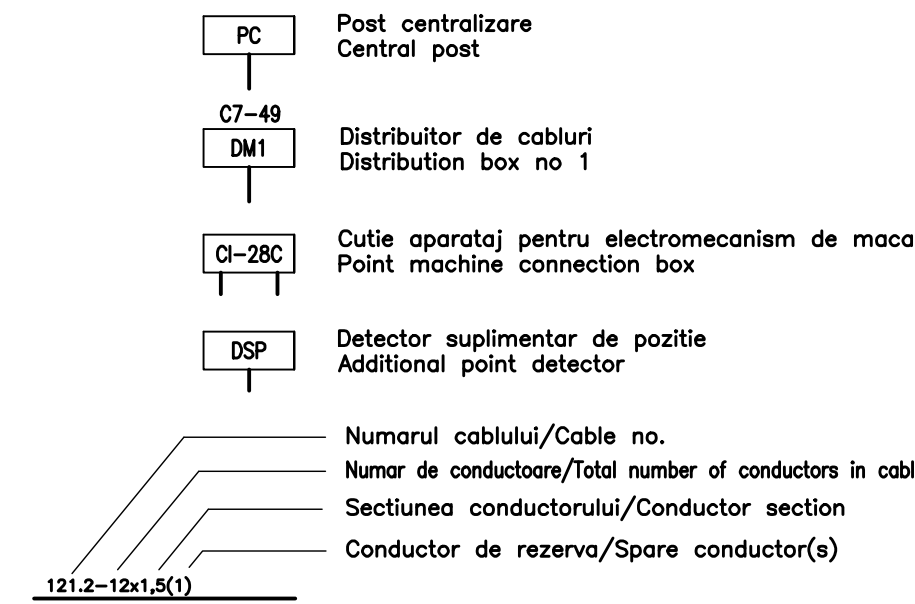
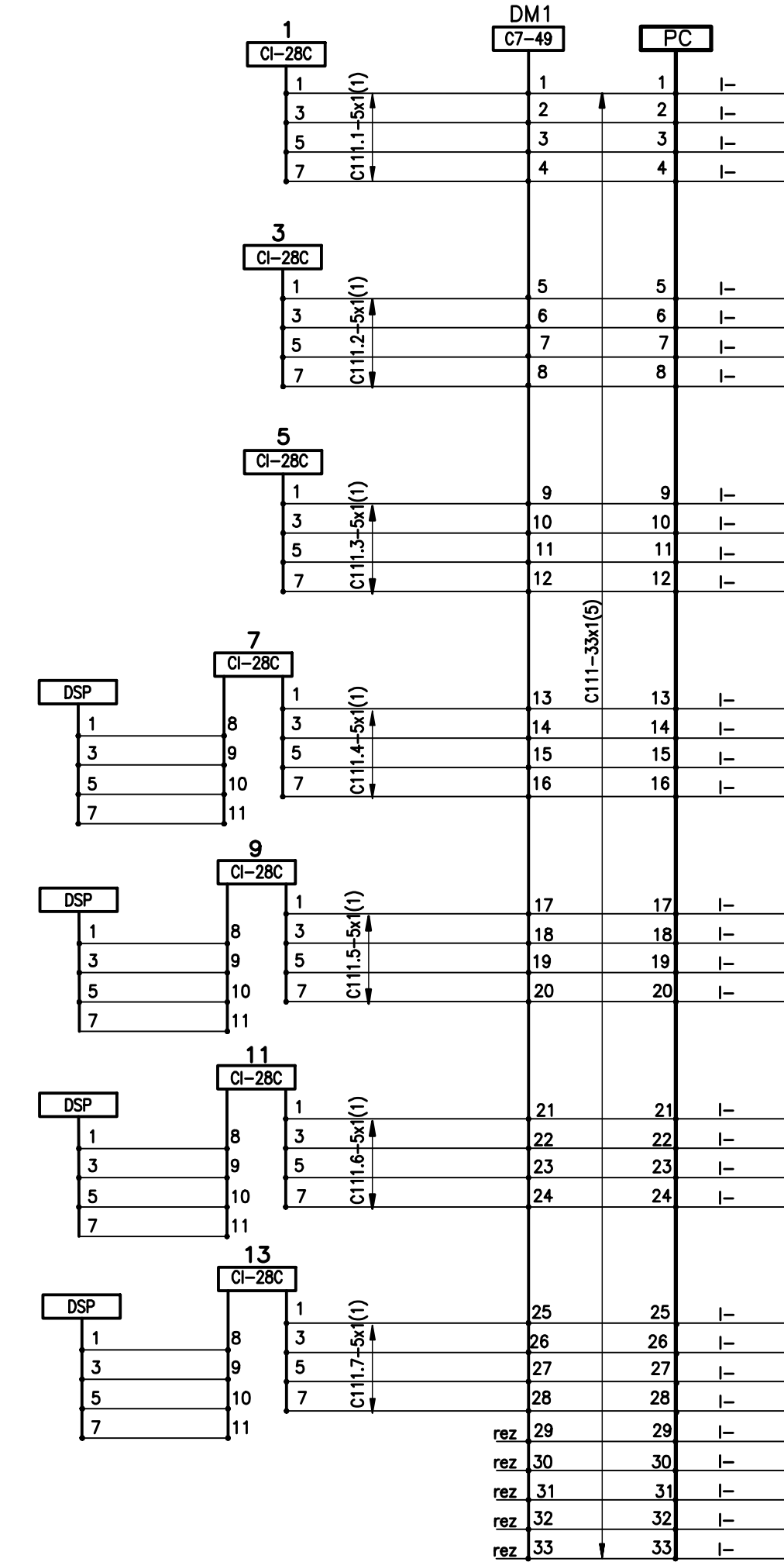


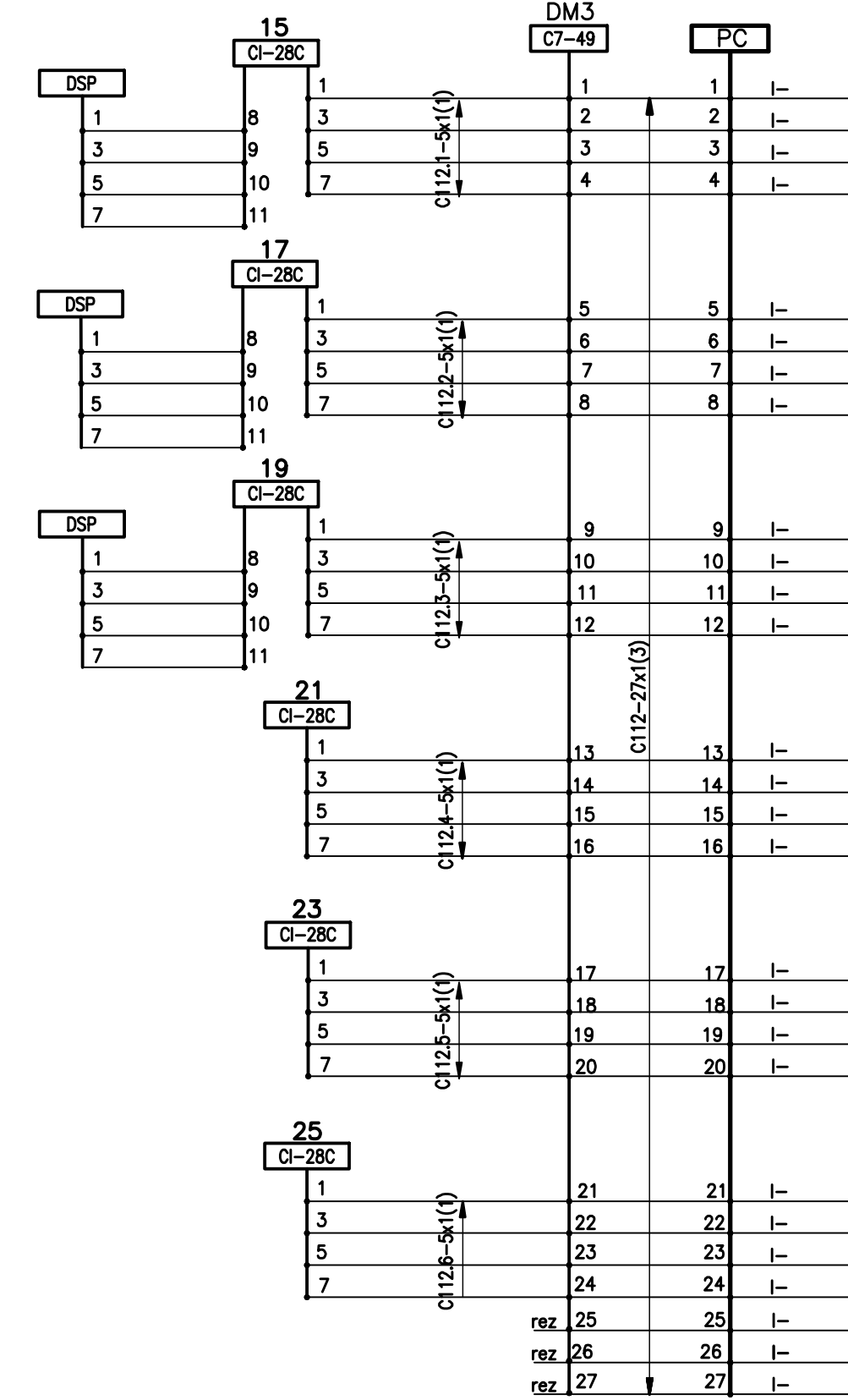
LEGENDA
SYMBOLS



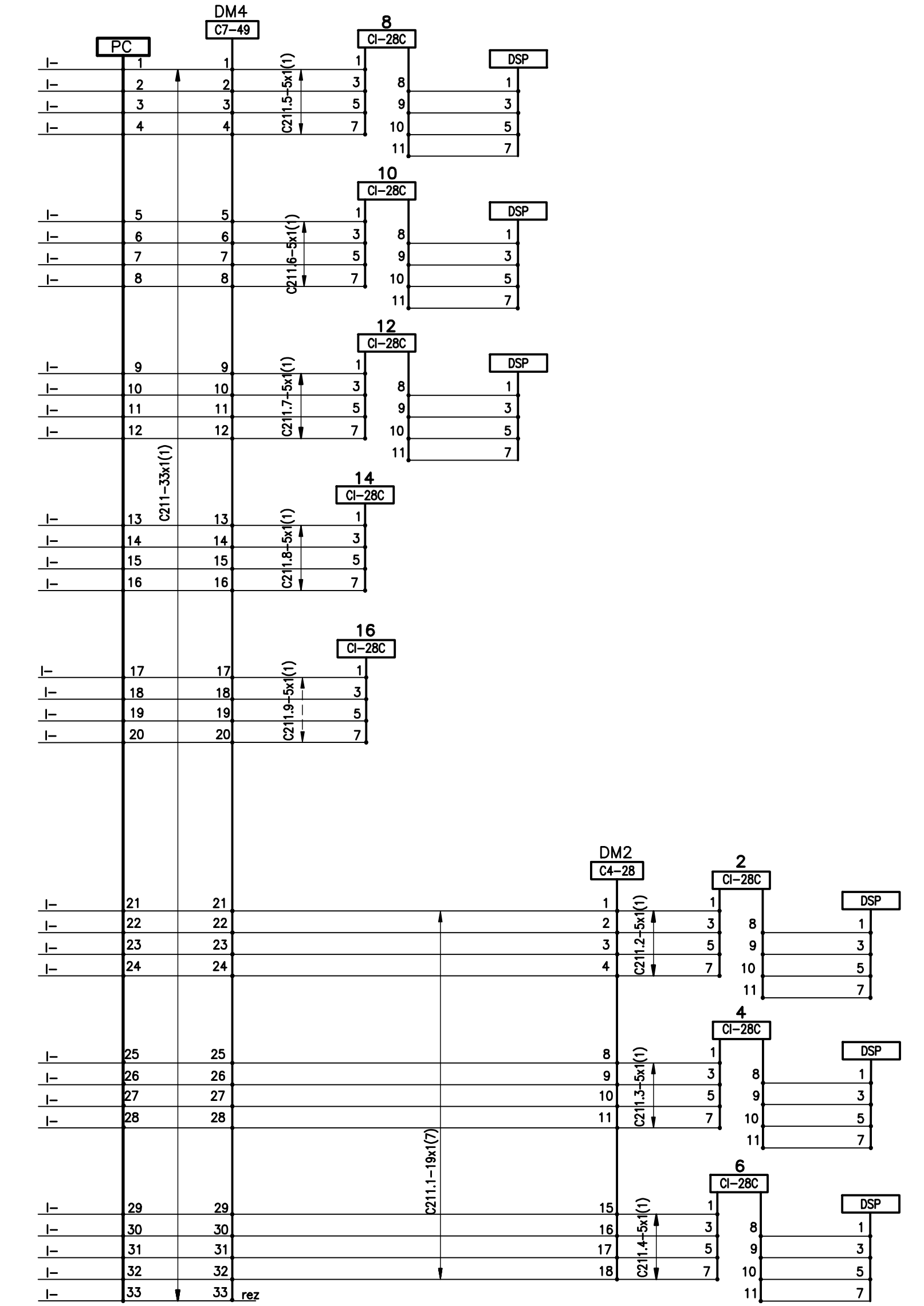
D					
C					
B					
A					
Indice	Date	Modificari	Proiectant	Aprobat Consultant	Aprobat CFR
Index	Date	Modification/Revision	Designer	Approved Consultant	Approved CFR
GUVERNUL ROMANIEI ROMANIAN GOVERNMENT		PROIECT FINANAT DE UNIUNEA EUROPEANA EUROPEAN UNION FINANCED PROJECT			
CLIENT / CLIENT		C.N.C.F. "C.F.R." - S.A.			
GRUPPO FERROVIE DELLO STATO Johne Venture leader		OBERMEYER PLANEN + BERATEN GmbH		TECNIC Consulting Engineers	
CONSULTANT / CONSULTANT					Date
Aprobat	Def proiect	R. Liuzza	12.2011	Semnatura	
Approved	Project manager			Signature	
Aprobat	Coordonator Sectiune 1	C. Gambelli	12.2011	Signature	
Approved	Section 1 Coordinator			Signature	
Verificat	Expert Cheie	P. Amodio	12.2011	Signature	
Checked	Key Expert			Signature	
SUBCONTRACTANT / SUBCONTRACTOR					Date
Aprobat	Responsabil Subcontractant	A. Stancu - Dinulescu	12.2011	Semnatura	
Approved	Subcontractant Responsible			Signature	
Elaborat	Proiectant	Angelescu Sergiu	12.2011	Semnatura	
Elaborated	Designer			Signature	
Reabilitarea liniei de cale ferata Brasov - Simeria, parte componenta a coridorului IV Pan European, pentru circulatia trenurilor cu viteza maxima de 160 km/h, Tronsoanel : Brasov - Sighisoara Rehabilitation of the railway line Brasov - Simeria, component Part of the IV Pan-European Corridor, for the trains circulation with maximum speed of 160 km/h, Section : Brasov - Sighisoara					Project/Project 2004/RO10P/P/003 Faza / Phase: D.E. / D.D.
Denumire desen / Drawing Title :					
Statie / Station CATA Diagrame de cablaj pentru retele cabluri macazuri Cable wiring diagrams for point machines					
Codificare / Codification System		Scara / Scale	LOT / LOT	Nr. / No	
EA51 01 E 13 BX SE 01 3 2 001 1		F88 / No scale		01 / 04	



Cablul 111



Cablul 112



Cablul 211