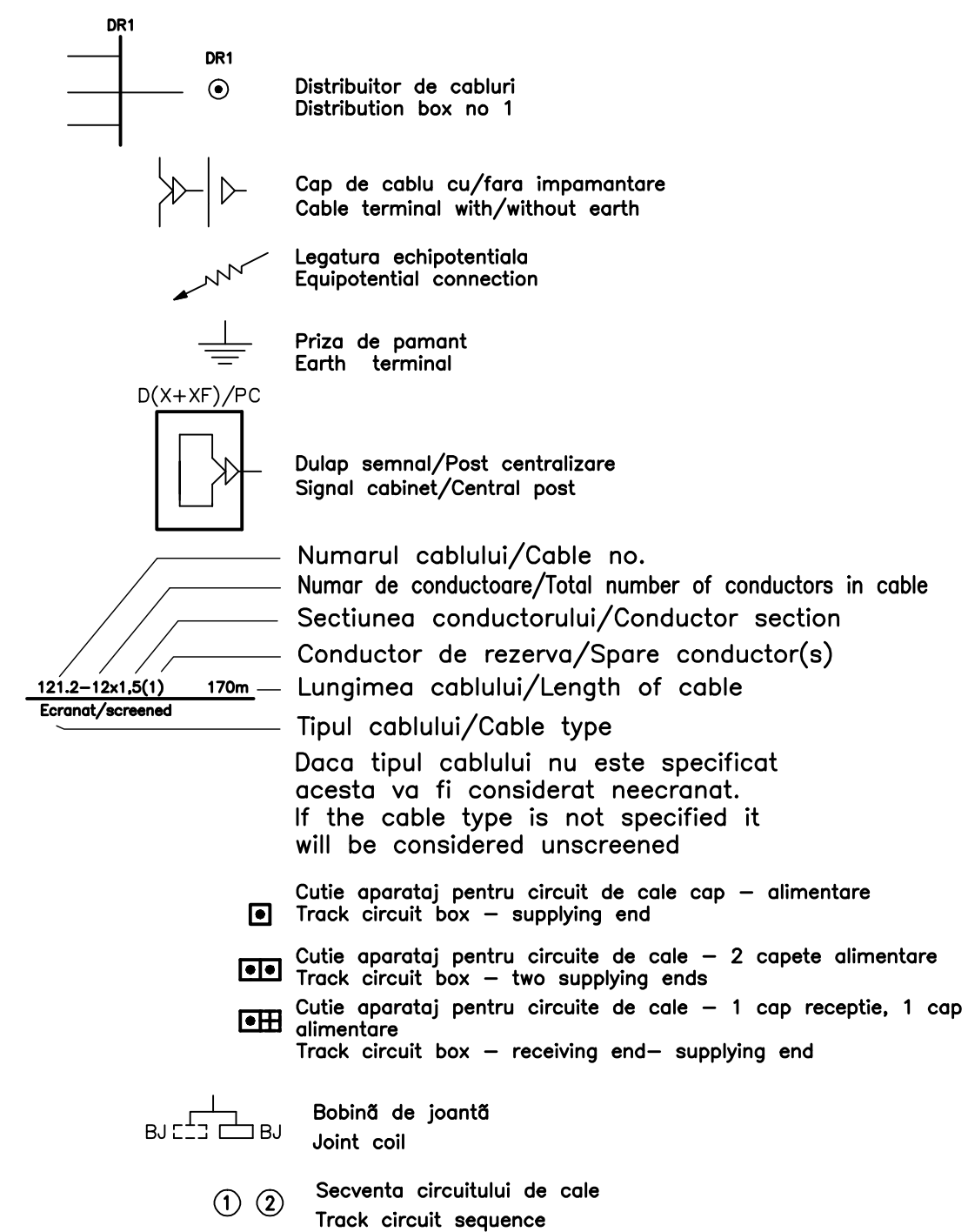


LEGENDA
SYMBOLS



D					
C					
B					
A					

Indice	Data	Modificari / Revision	Proiectant	Approbat Consultant	Approbat CFR

GUVERNUL ROMANIEI
ROMANIAN GOVERNMENT

PROIECT FINANȚAT DE UNIUNEA EUROPEANĂ
EUROPEAN UNION FINANCED PROJECT

CFR

C.N.C.F. "C.F.R." - S.A.

CLIENT / CLIENT

ITALFERR GRUPPO FERROVIE DELLO STATO
Scott Wilson
OBERMEYER PLANEN + BERATEN GmbH
TECNIC Consulting Engineers

CONSULTANT / CONSULTANT		Data	Semnatura
Approbat	Şef proiect / Project manager	12.2011	<i>[Signature]</i>
Approbat	Coordonator Secțiune 1 / Section 1 Coordinator	12.2011	<i>[Signature]</i>
Verificat / Checked	Expert Cheie / Key Expert	12.2011	<i>[Signature]</i>

SUBCONTRACTANT / SUBCONTRACTOR		Data	Semnatura
Approbat	Responsabil Subcontractant / Subcontractant Responsible	12.2011	<i>[Signature]</i>
Elaborat / Elaborated	Proiectant / Designer	12.2011	<i>[Signature]</i>

Reabilitarea liniei de cale ferată Braşov - Simeria, parte componentă a coridorului IV Pan European, pentru circulația trenurilor cu viteză maximă de 160 km/h, Tronsonul : Braşov - Sighişoara
 Rehabilitation of the railway line Braşov - Simeria, component Part of the IV Pan-European Corridor, for the trains circulation with maximum speed of 160 km/h, Section : Braşov - Sighişoara

Project/Project
2004/RQ18/PPA003

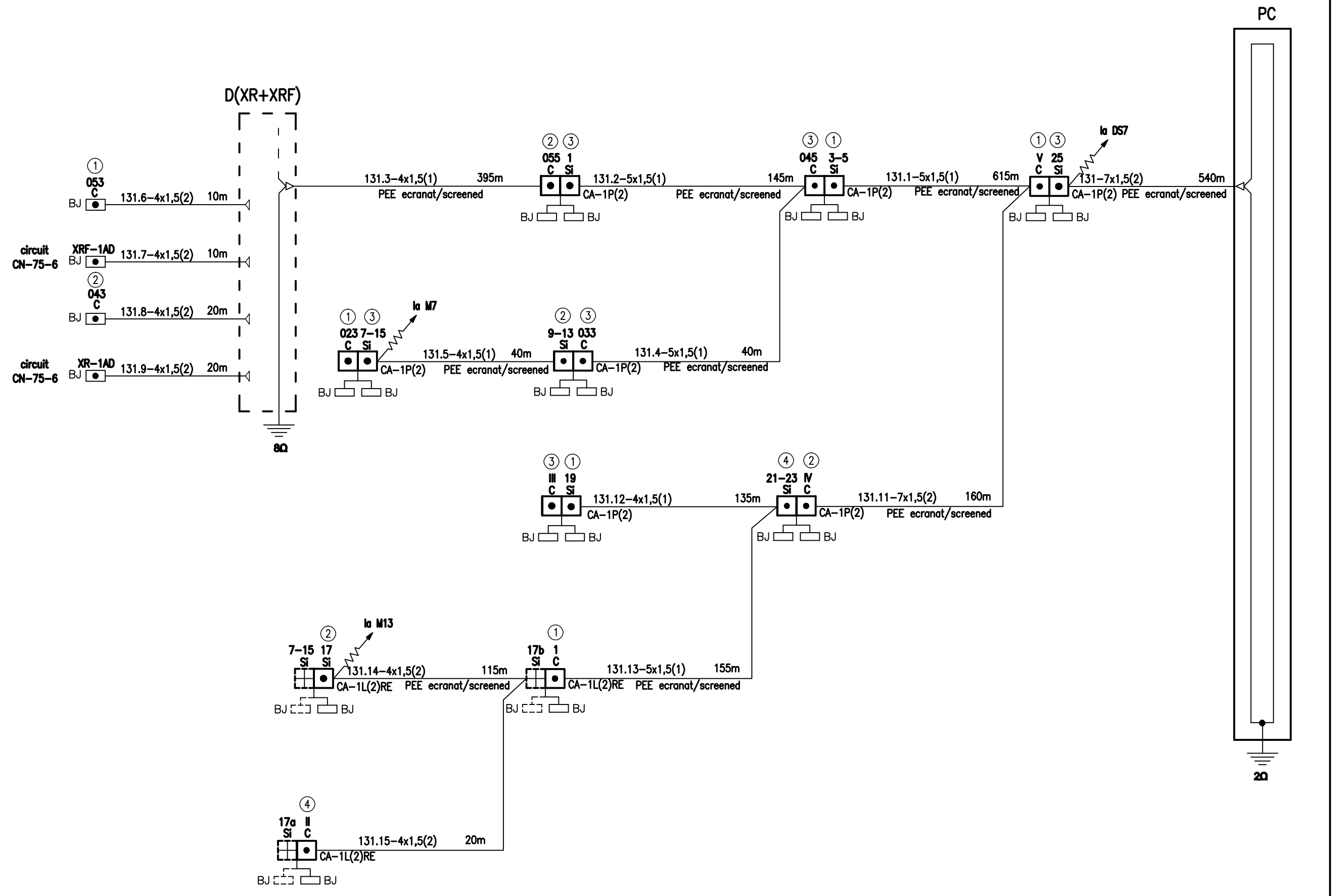
Faza / Phase:
P.Th. / T.D.

Denumire desen / Drawing Title :

Statie / Station CATA
Plan cablaj retele cabluri alimentare
Cable lay-out track circuits - supplying boxes

Codificare / Codification System	Scara / Scale / P&S / No scale	LOT / LOT	Nr. / No 01 / 03
EA51 01 C 13 UX SE 01 3 2 008 1			

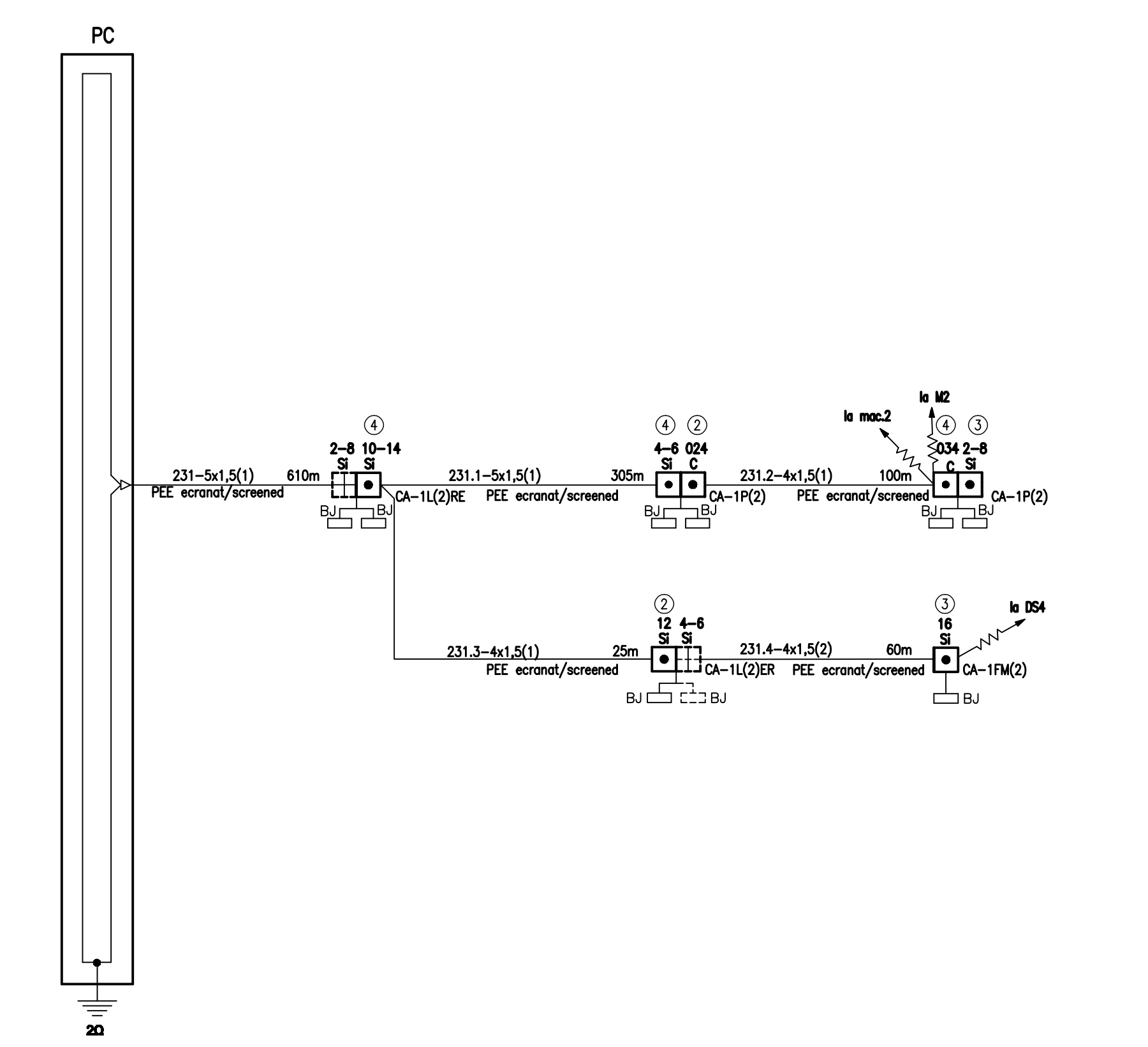
420x297=0.13mp



Plan de cablaj al pichetilor de alimentare cap X - C 131
 Cable lay-out track circuits (supplying boxes) X end

EA51 01 C 13 UX SE 013 2 008 1 02/03
 420x297=0.13mp

Statie: Cata



Plan de cablaj al pichetilor de alimentare cap Y - C 231
 Cable lay-out track circuits (supplying boxes) Y end

EA51 01 C 13 UX SE 013 2 008 1 03/03
 420x297=0.13mp

Statie: Cata