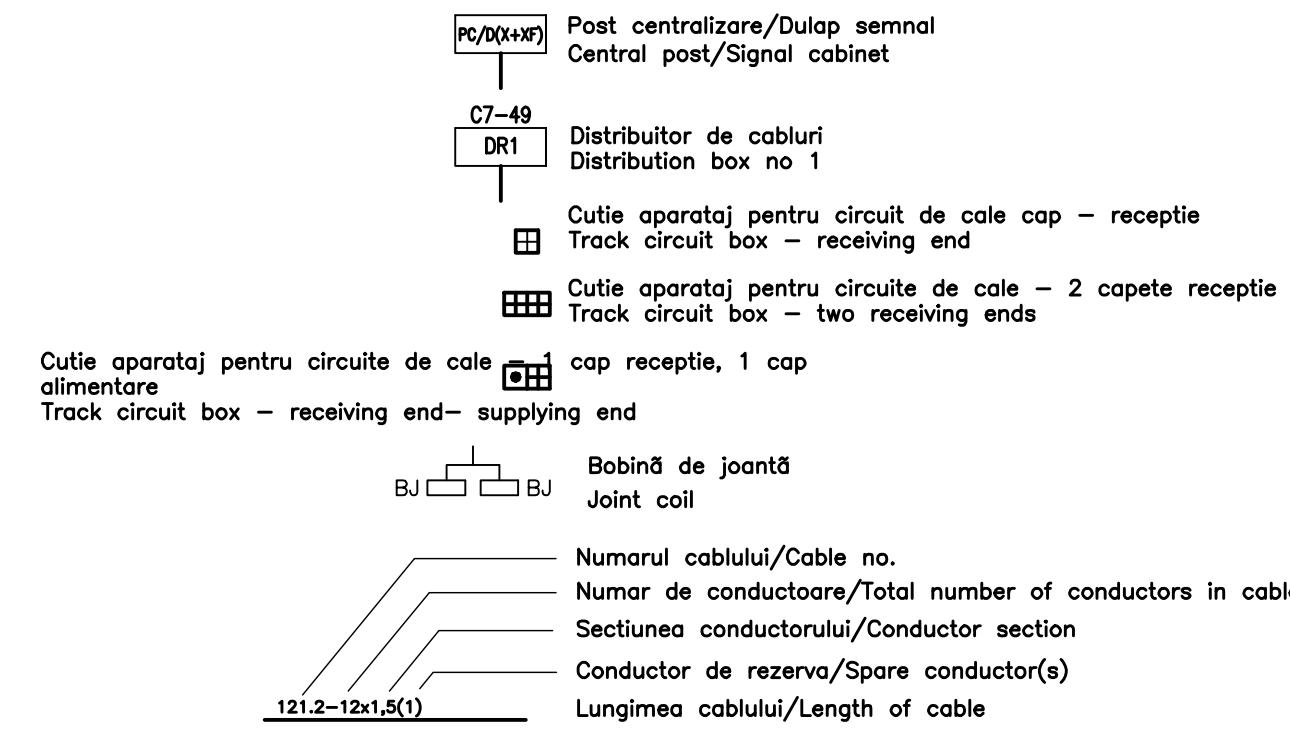


LEGENDA
SYMBOLS



D					
C					
B					
A					

Indice Index	Date Date	Modificari Modification/Revision	Proiectant Designer	Aprobat Consultant Approved Consultant	Aprobat CFR Approved CFR
--------------	-----------	----------------------------------	---------------------	--	--------------------------



CONSULTANT / CONSULTANT		Date Date	Semnatura Signature
Aprobat Approved	Proj. manager	R. Liuzza	12.2011
Aprobat Approved	Coordonator Secțiune 1 Section 1 Coordinator	C. Gambell	12.2011
Verificat Checked	Expert Cheie Key Expert	P. Amodio	12.2011

SUBCONTRACTANT / SUBCONTRACTOR		Date Date	Semnatura Signature
Aprobat Approved	Responsabil Subcontractant Subcontractant Responsible	A. Stanclu - Dinulescu	12.2011
Intocmit Elaborated	Proiectant Designer	Anghelescu Sergiu	12.2011

Reabilitarea liniei de cale ferată Braşov - Simeria, parte componentă a coridorului IV Pan European, pentru circulația trenurilor cu viteză maximă de 160 km/h, Braşov - Sighişoara
Rehabilitation of the railway line Braşov - Simeria, component Part of the IV Pan-European Corridor, for the trains circulation with maximum speed of 160 km/h, Section : Braşov - Sighişoara

Project/Project
2004/RO/18/PPA/003

Faza / Phase:
D.E. / D.D.

Denumire desen / Drawing Title :

Statie / Station ARCHITA
Diagrame de cablaj pentru retele cabluri releu
Cable wiring diagrams for receiving boxes

Codificare / Codification System	Scara / Scale First / No scale	LOT / LOT	Nr. / No 01 / 08
----------------------------------	--------------------------------	-----------	------------------

E A 5 1 0 1 E 1 5 B X S E 0 1 5 2 0 0 3 1

