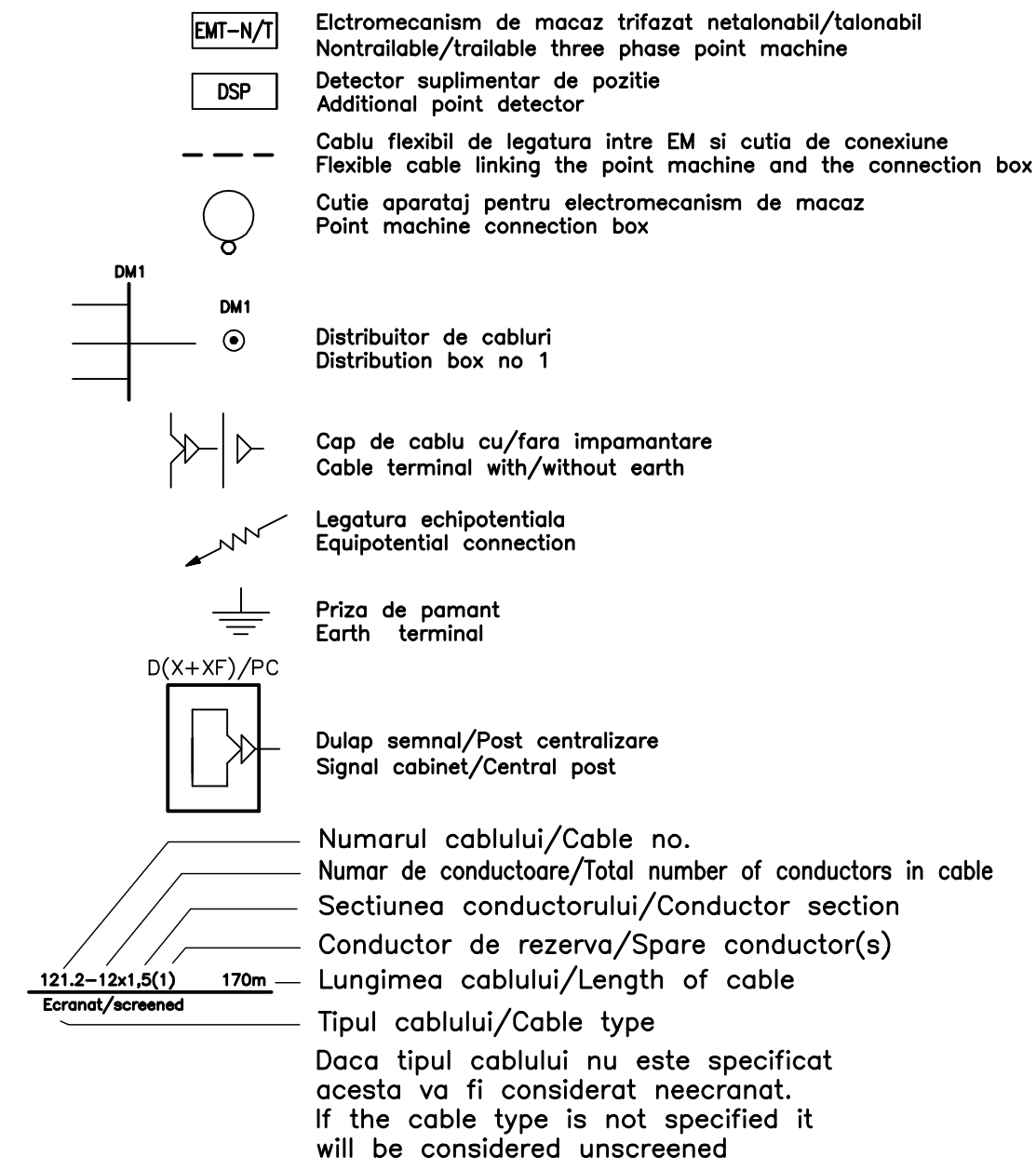


LEGENDA
SYMBOLS



D					
C					
B					
A					

Indice	Data	Modificari / Modification/Revision	Proiectant Designer	Approbat Consultant Approved Consultant	Approbat CFR Approved CFR
--------	------	---------------------------------------	------------------------	--	------------------------------



CONSULTANT / CONSULTANT		Date	Semnatura / Signature
Approbat / Approved	Coordonator Proiect / Project manager	12.2011	<i>[Signature]</i>
Approbat / Approved	Coordonator Sectiune 1 / Section 1 Coordinator	12.2011	<i>[Signature]</i>
Verificat / Checked	Expert Cheie / Key Expert	12.2011	<i>[Signature]</i>

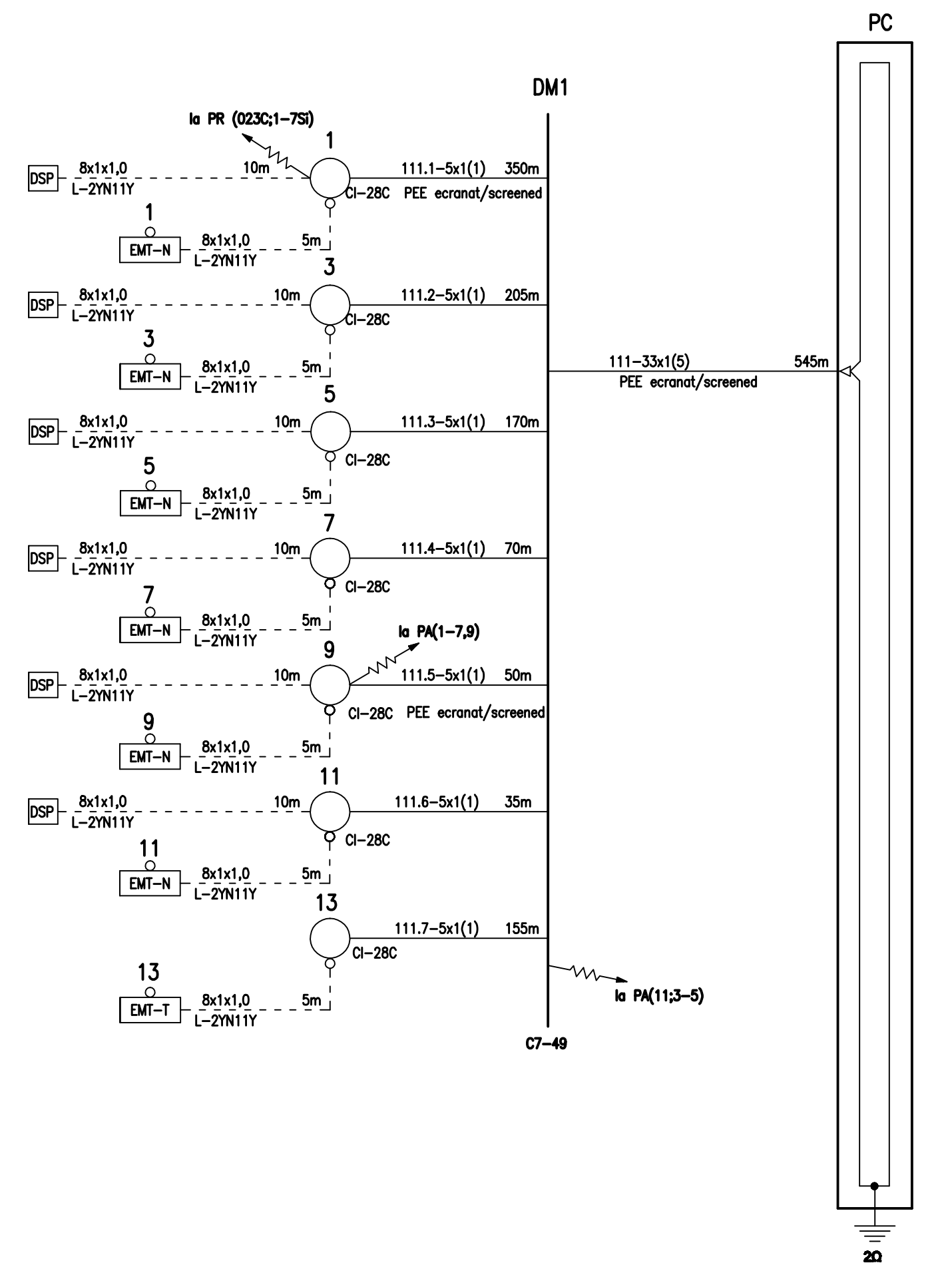
SUBCONTRACTANT / SUBCONTRACTOR		Date	Semnatura / Signature
Approbat / Approved	Responsabil Subconsultant / Subconsultant Responsible	12.2011	<i>[Signature]</i>
Intocmit / Elaborated	Proiectant / Designer	12.2011	<i>[Signature]</i>

Reabilitarea liniei de cale ferata Brasov - Simeria, parte componentă a coridorului IV Pan European, pentru circulația trenurilor cu viteză maximă de 160 km/h,
Tronsonul : Brasov - Sighisoara
Rehabilitation of the railway line Brasov - Simeria, component Part of the IV Pan-European Corridor, for the trains circulation with maximum speed of 160 km/h,
Section : Brasov - Sighisoara

Denumire desen / Drawing Title :
Stati / Station ARCHITA
Plan cablaj retele cabluri de macaz
Cable lay-out for point machine

Codificare / Codification System	Scara / Scale	LOT / LOT	Nr. / No
EA51 01 C 15 UX SE 01 5 2 004 1	P84 / No scale		01 / 03

420x297=0.13mp

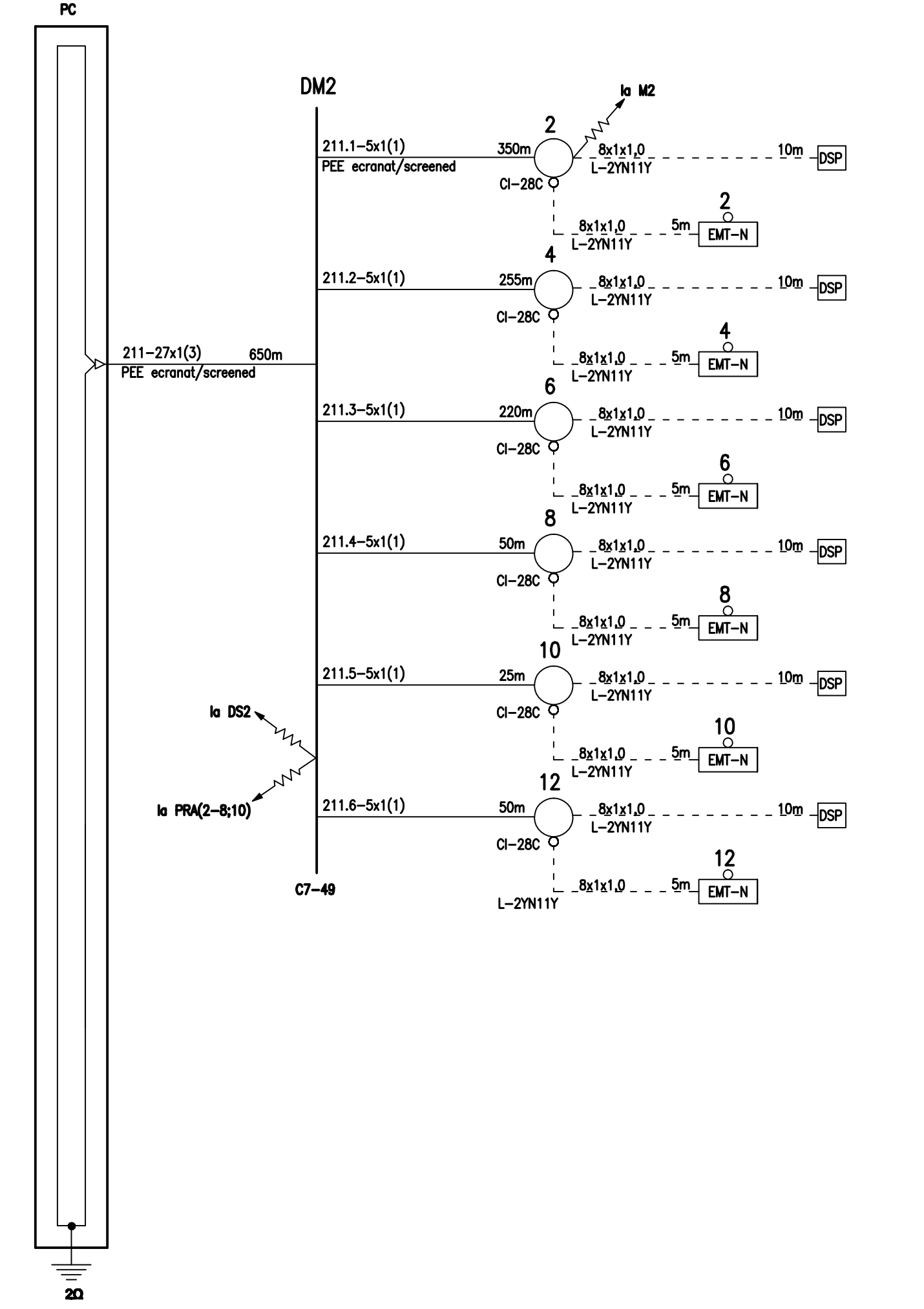


Plan de cablaj al pichetilor de macaz cap X - C 111
Cable lay-out for point machine X end

EA51 01 C 15 UX SE 015 2 004 1 02/03

420x297=0.13mp

Stati: ARCHITA



Plan de cablaj al pichetilor de macaz cap Y - C 111
Cable lay-out for point machine Y end

EA51 01 C 15 UX SE 015 2 004 1 03/03

420x297=0.13mp

Stati: ARCHITA