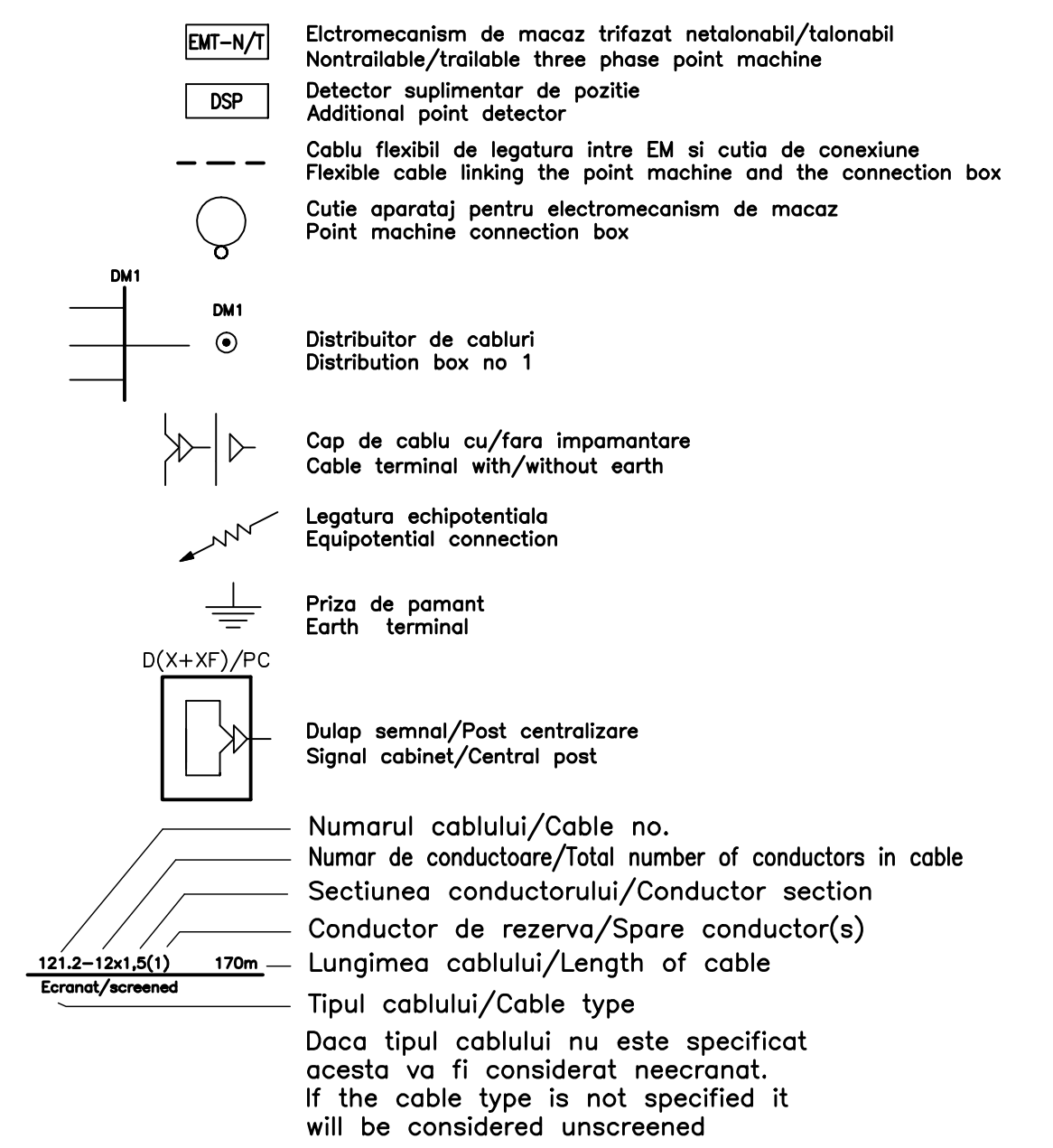
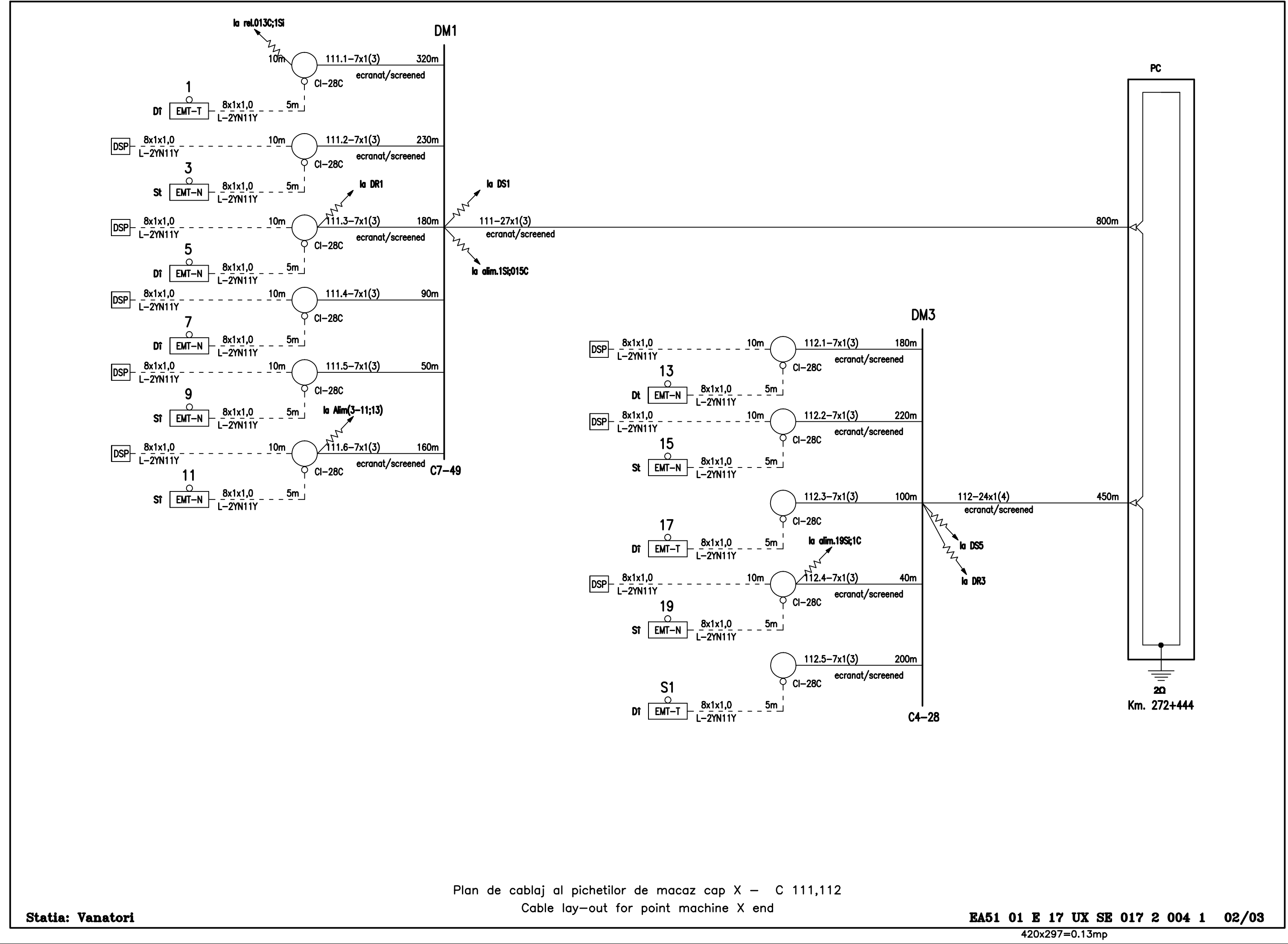


**LEGENDA
SYMBOLS**

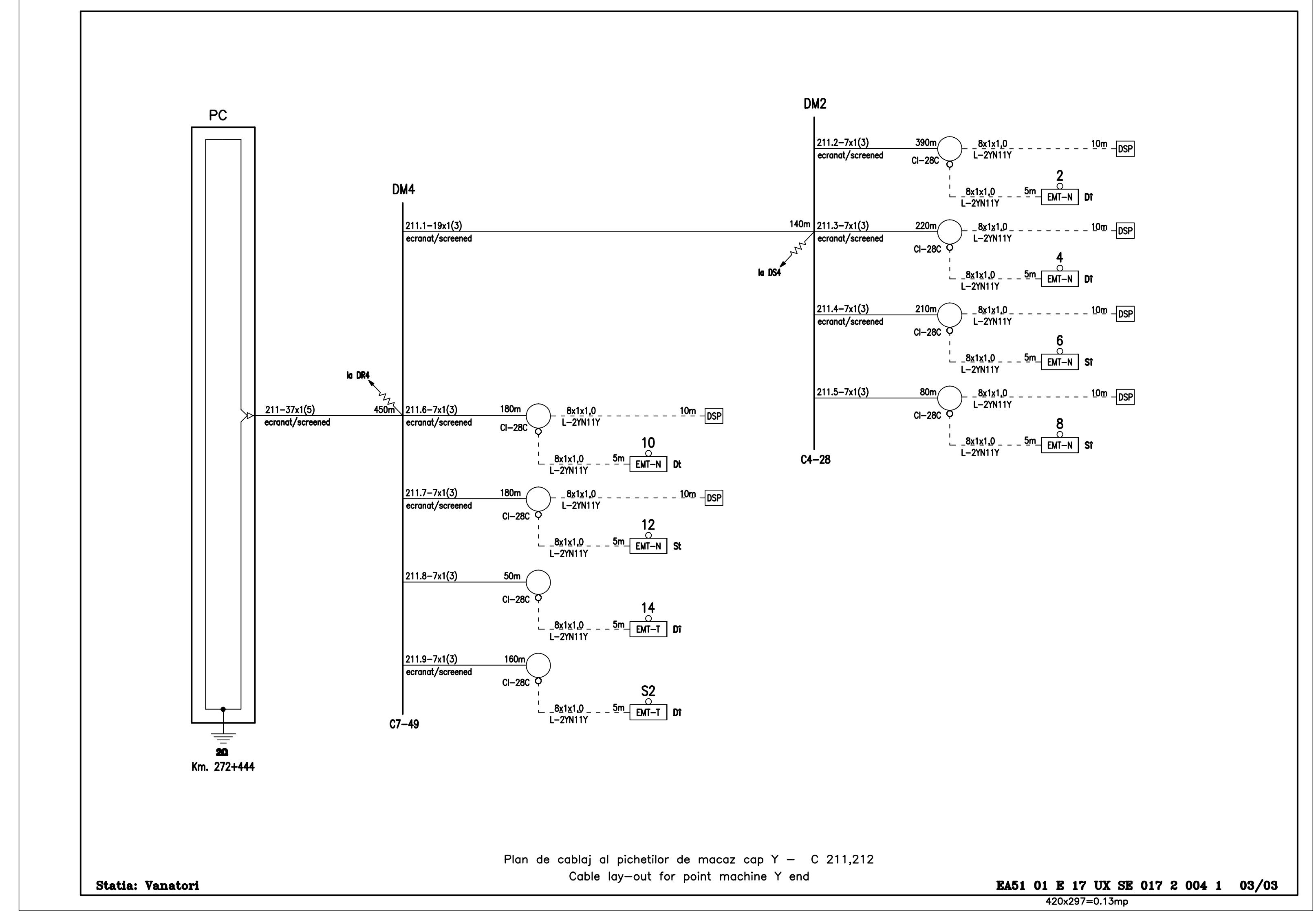


D					
C					
B					
A					
Index	Date	Modificari Modifications/Revision	Proiectant Designer	Aprobat Consultant Approved Consultant	Aprobat CFR Approved CFR
CONSULTANT / CONSULTANT		Date	Semnatura / Signature		
Aprobat / Approved	Project manager	12.12.2011	R. Liuzza		
Aprobat / Approved	Coordinator Section 1 / Coordinator	12.12.2011	C. Gambelli		
Verificat / Checked	Expert Chief / Key Expert	12.12.2011	P. Amodio		
SUBCONTRACTANT / SUBCONTRACTOR		Date	Semnatura / Signature		
Aprobat / Approved	Responsible Subcontractant / Subcontractant Responsible	12.12.2011	A. Stancu - Dinulescu		
Intocmit / Elaborated	Projectant / Designer	12.12.2011	Ing. Juganaru Adriana		
Reabilitarea liniei de cale ferata Brasov - Simeria, parte componenta a coridorului IV Pan European, pentru circulatia trenurilor cu viteza maxima de 160 km/h, Tronsoanel: Brasov - Sighisoara Rehabilitation of the railway line Brasov - Simeria, component Part of the IV Pan-European Corridor, for the trains circulation with maximum speed of 160 km/h, Section: Brasov - Sighisoara					Project/Project 2004/RO16/PPA/003 Faza / Phase: P.Th. / T.D.
Denumire desen / Drawing Title: Statie / Station VANATORI Plan cablaj retele cabluri de macaz Cable lay-out for point machine					
Codificare / Codification System		Scara / Scale / Fara / No scale	LOT / LOT	Nr. / No 01 / 03	
EA51 01 C 17 UX SE 01 7 2 004 1					

1470x297=0.44mp



Statie: Vanatori



Statie: Vanatori