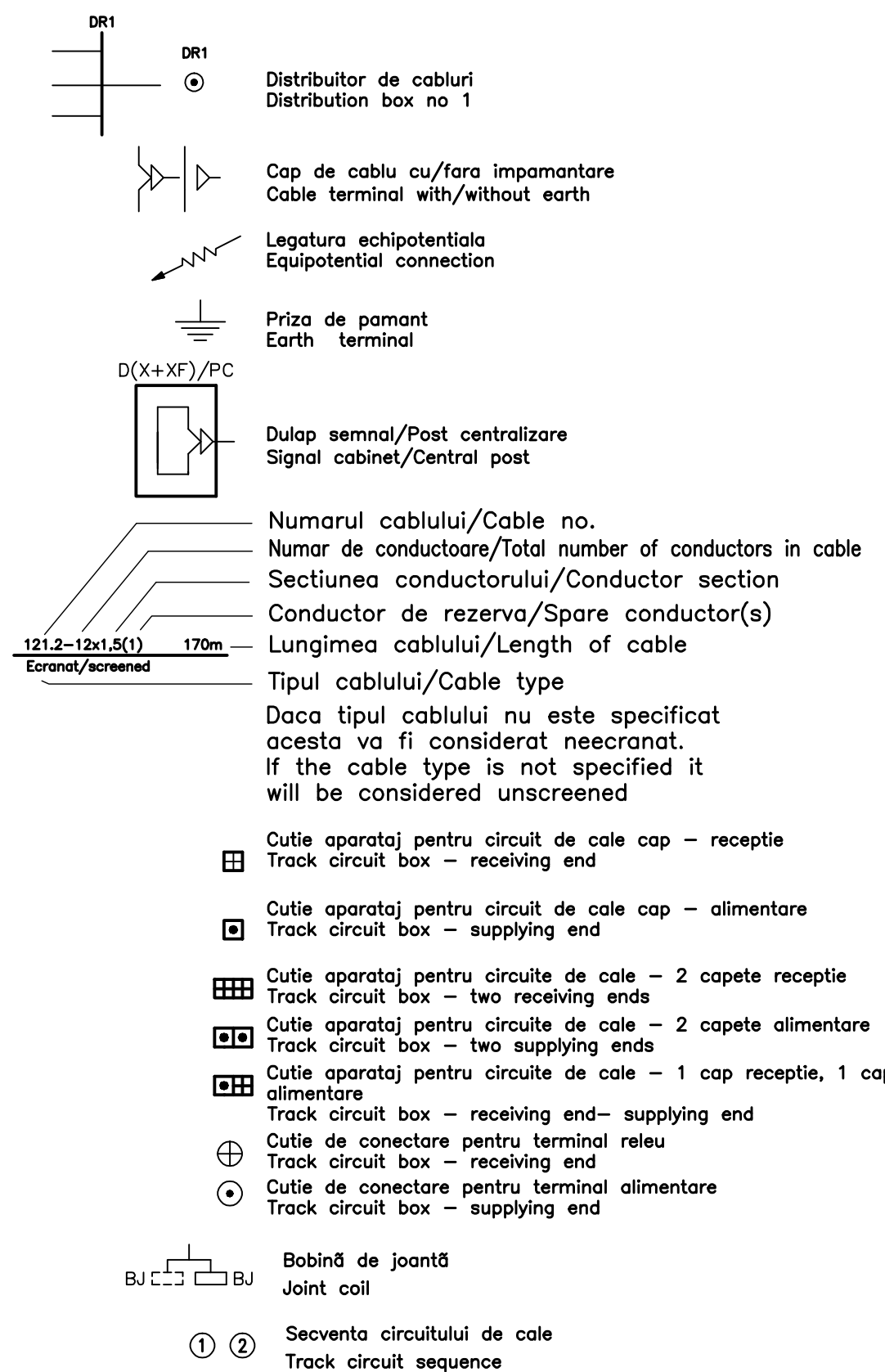


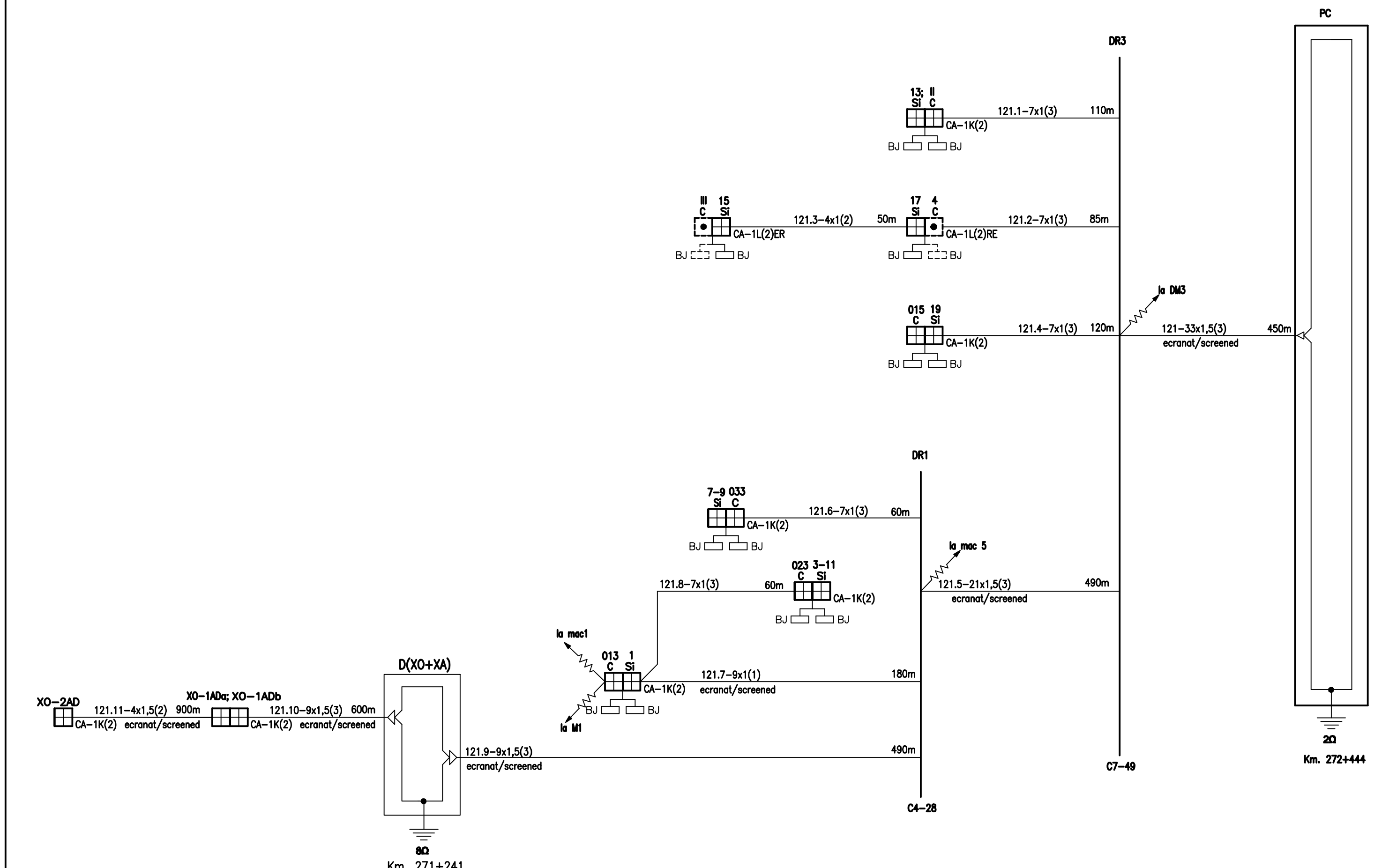
**LEGENDA
SYMBOLS**



D					
C					
B					
A					
Indice	Data	Modificari / Modification/Revision	Proiectant / Designer	Aprobat Consultant / Approved Consultant	Aprobat CFR / Approved CFR
CLIENT / CLIENT C.N.C.F. "C.F.R." - S.A.					
CONSULTANT / CONSULTANT					
Aprobat / Approved	Verificat / Checked	Responsabil / Responsible	Data / Date	Semnatura / Signature	
		R. Liuzza	12.12.2011		
		C. Gambell	12.12.2011		
		P. Amodio	12.12.2011		
SUBCONTRACTANT / SUBCONTRACTOR					
Aprobat / Approved	Verificat / Checked	Responsabil / Responsible	Data / Date	Semnatura / Signature	
		A. Stancu - Dinulescu	12.12.2011		
		ing. Topala Madalin	12.12.2011		
Reabilitarea liniei de cale ferata Brasov - Simeria, parte componenta a coridorului IV Pan-European, pentru circulatia trenurilor cu viteza maxima de 160 km/h, Tronsonul : Brasov - Sighisoara Rehabilitation of the railway line Brasov - Simeria, component Part of the IV Pan-European Corridor, for the trains circulation with maximum speed of 160 km/h, Section : Brasov - Sighisoara					
Denumire desen / Drawing Title : Statie / Station VANATORI Plan cablaj retele cabluri releu Cable lay-out track circuits - receiving boxes					
Codificare / Codification System		Scara / Scale / Fara / No scale	LOT / LOT	Nr. / No / 01 / 08	
EA51	01	C	17	UX	SE 01 7 2 006 1

1470x297=0.44mp

Statie: Vanatori

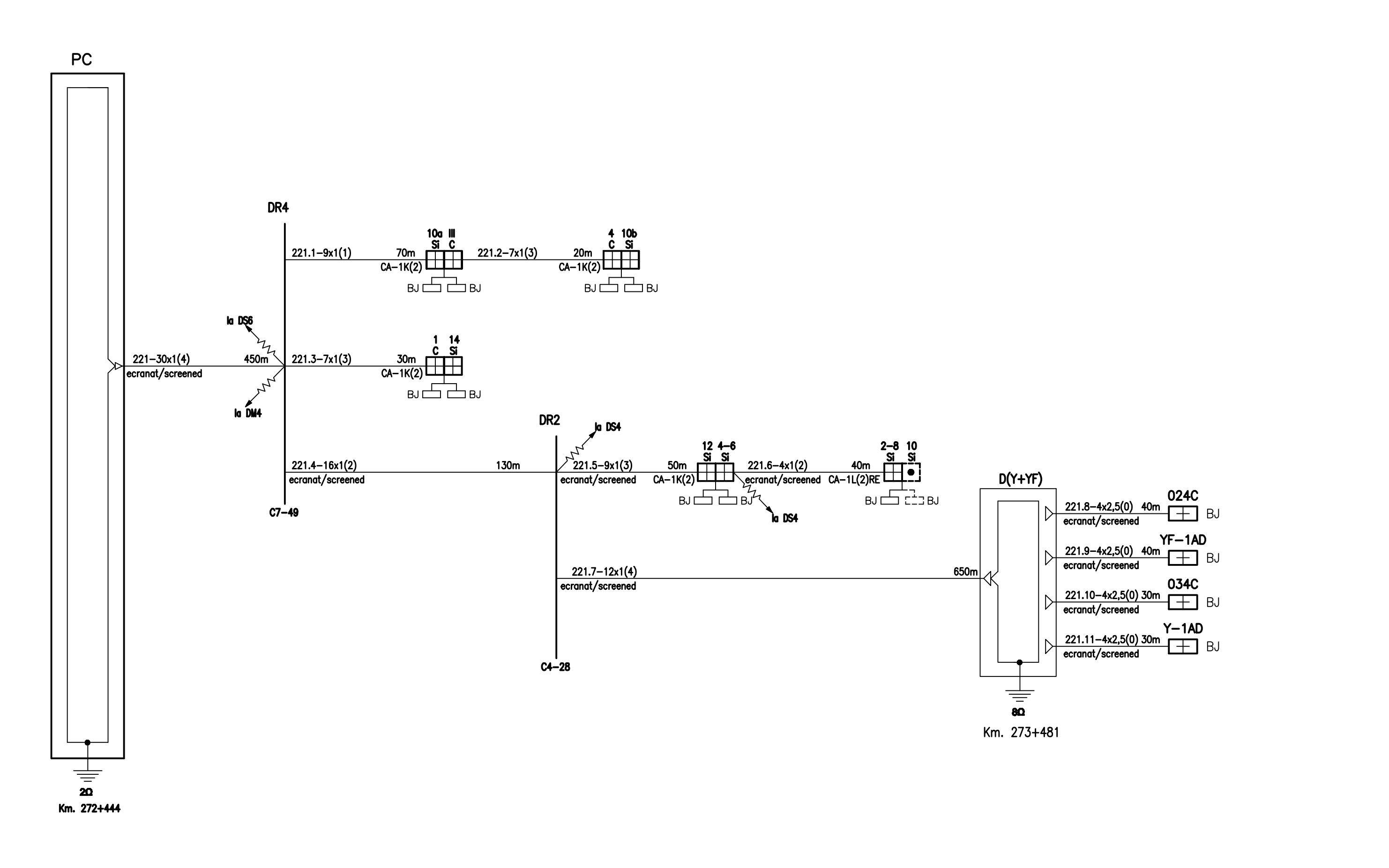


Plan de cablaj al pictetilor de releu cap X - C 121
Cable lay-out track circuits (receiving boxes) X end

EA51 01 C 17 UX SE 017 2 006 1 2/3

420x297=0.13mp

Statie: Vanatori



Plan de cablaj al pictetilor de releu cap Y - C 221
Cable lay-out track circuits (receiving boxes) Y end

EA51 01 C 17 UX SE 017 2 006 1 3/3

420x297=0.13mp