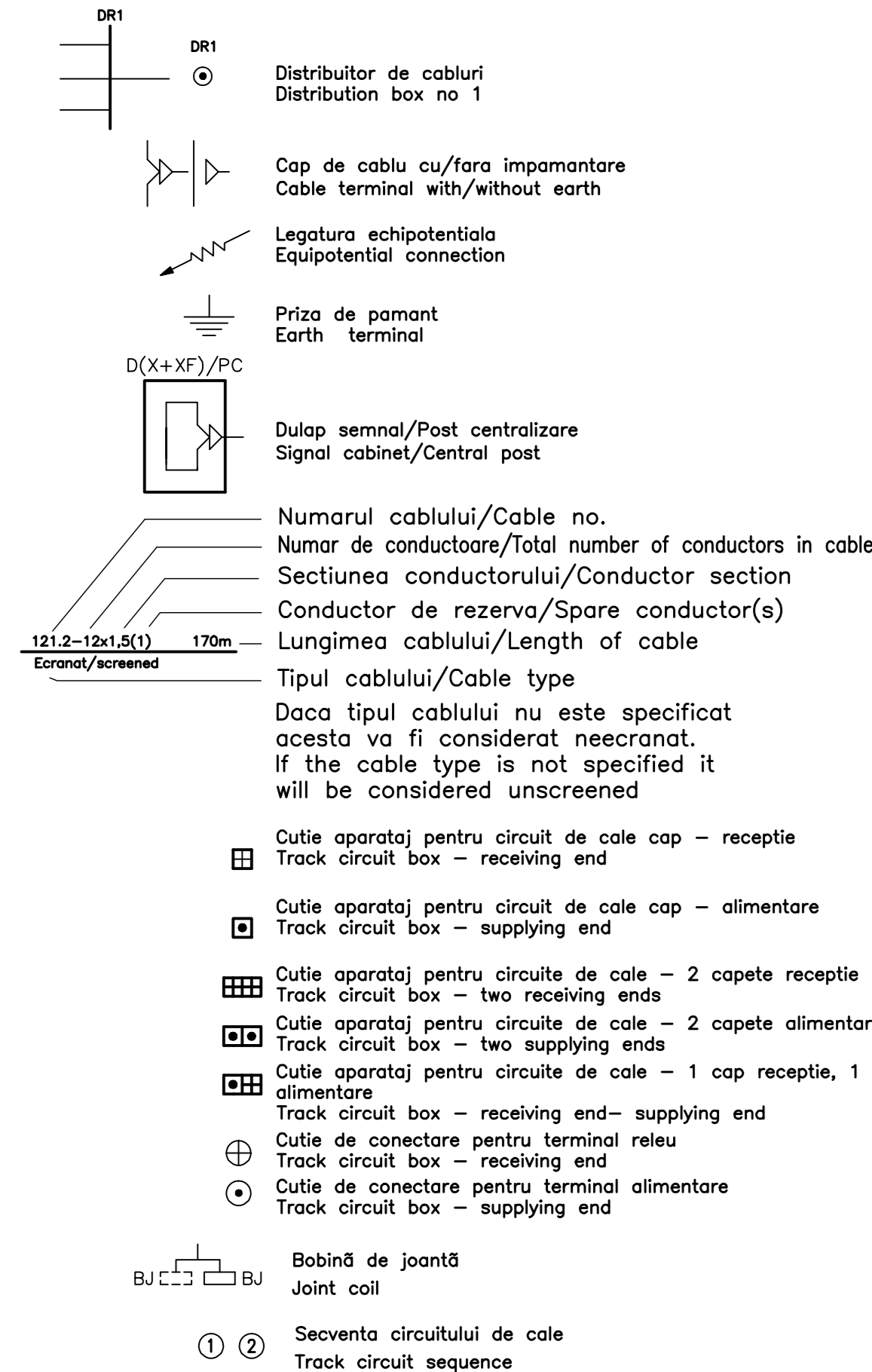


LEGENDA

SYMBOLS



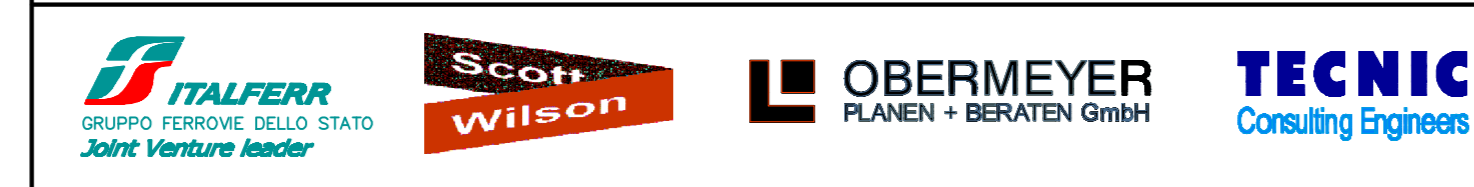
D	C	B	A

Indice	Data	Modificari	Proiectant	Approbat Consultant	Approbat CFR



CLIENT / CLIENT

C.N.C.F. "C.F.R." - S.A.



CONSULTANT / CONSULTANT

Approbat	Data	Semnatura

SUBCONTRACTANT / SUBCONTRACTOR

Approbat	Data	Semnatura

Reabilitarea liniei de cale ferata Braşov - Simeria, parte componentă a coridorului IV Pan European, pentru circulaţia trenurilor cu viteză maximă de 160 km/h, Tronsonul : Braşov - Sighişoara

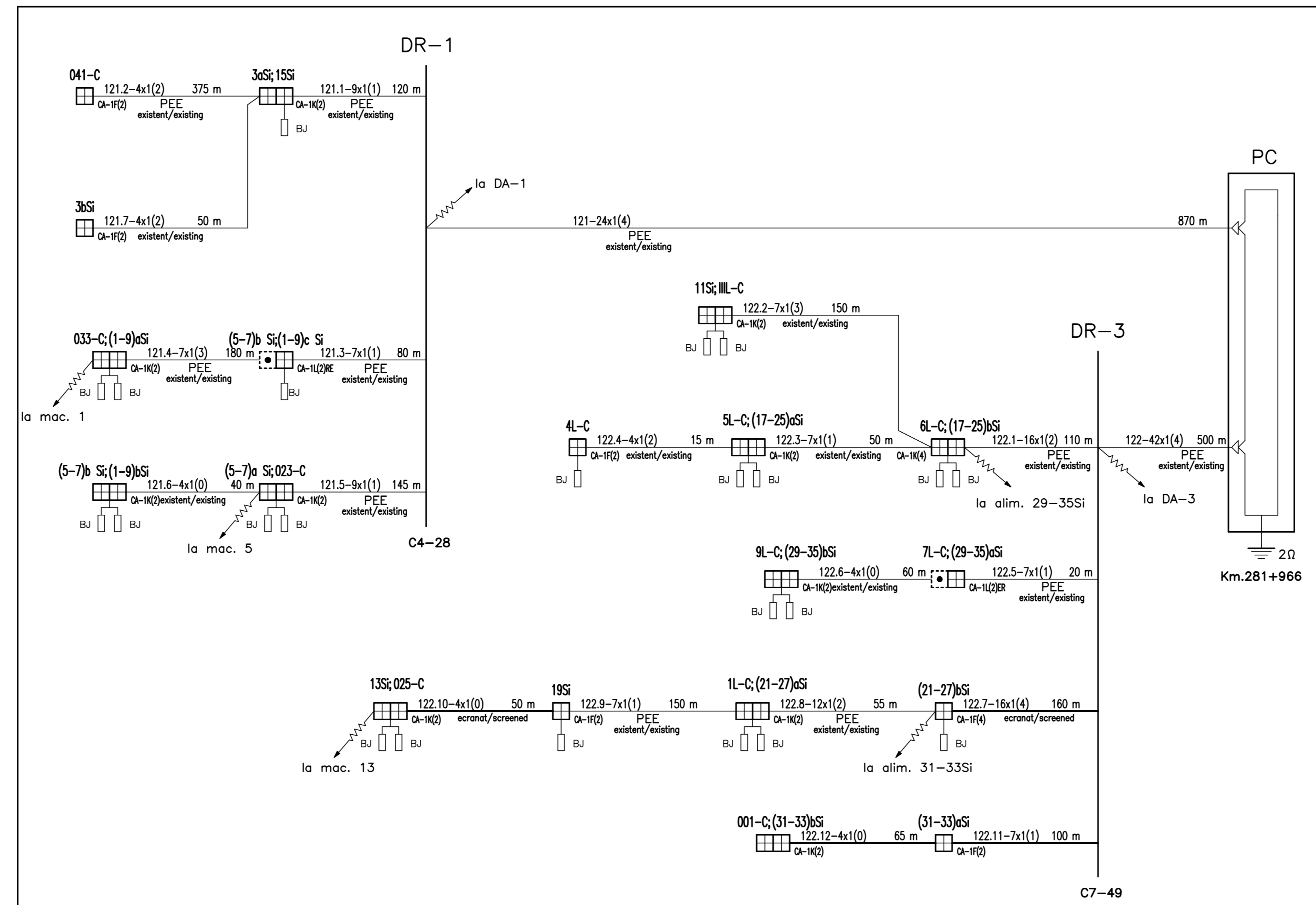
Rehabilitation of the railway line Braşov - Simeria, component Part of the IV Pan-European Corridor, for the trains circulation with maximum speed of 160 km/h, Section : Braşov - Sighişoara

Denumire desen / Drawing Title :

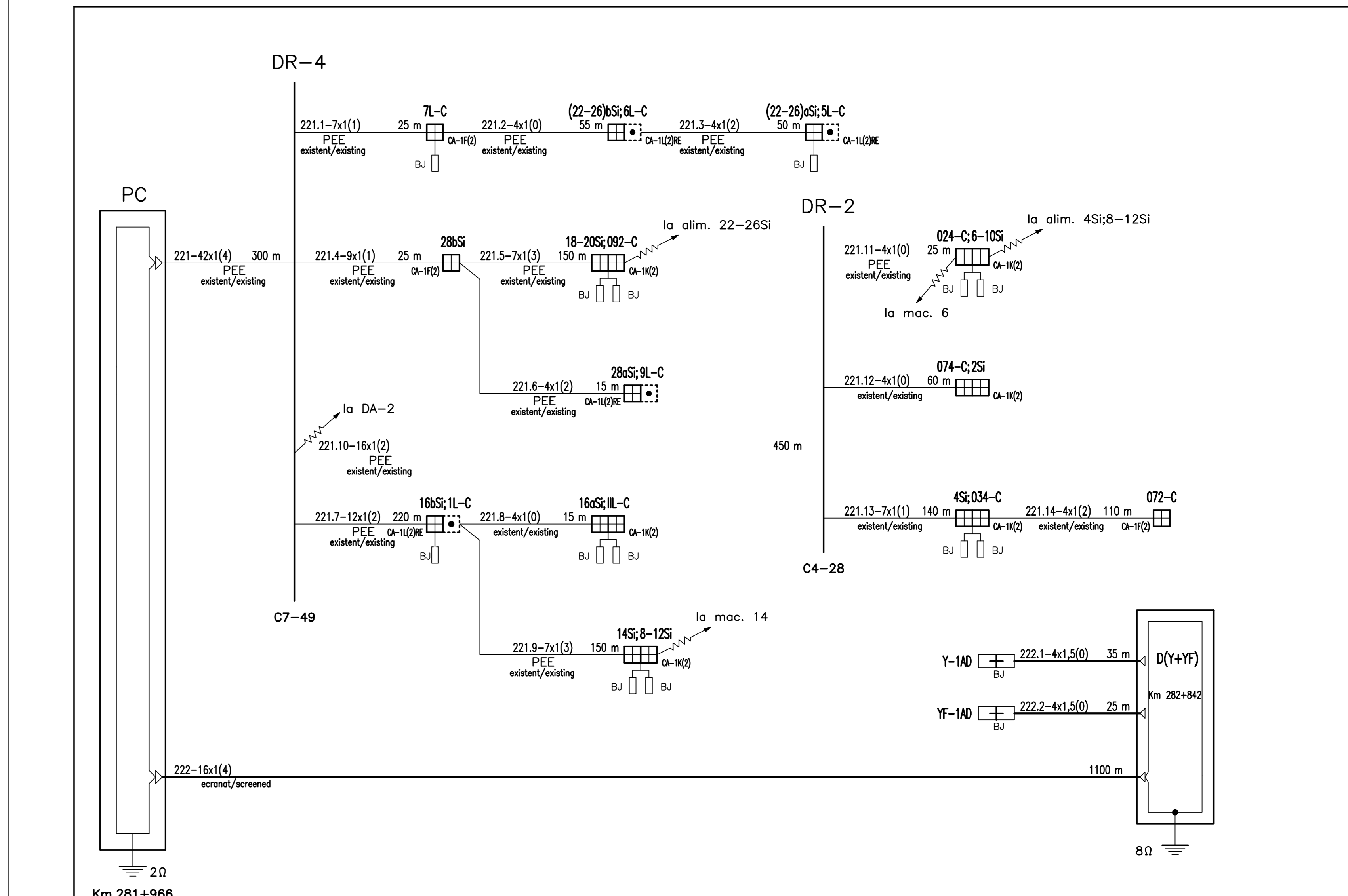
Statie / Station SIGHISOARA
Plan cablaj retele cabluri releu
Cable lay-out track circuits - receiving boxes

Codificare / Codification System	Scara / Scale	LOT / LOT	Nr. / No
EA51 01 C 21 UX SE 02 1 2 005 1	Fără / No scale		01 / 03

1470x297=0.44mp



Statie: Sighisoara



Statie: Sighisoara