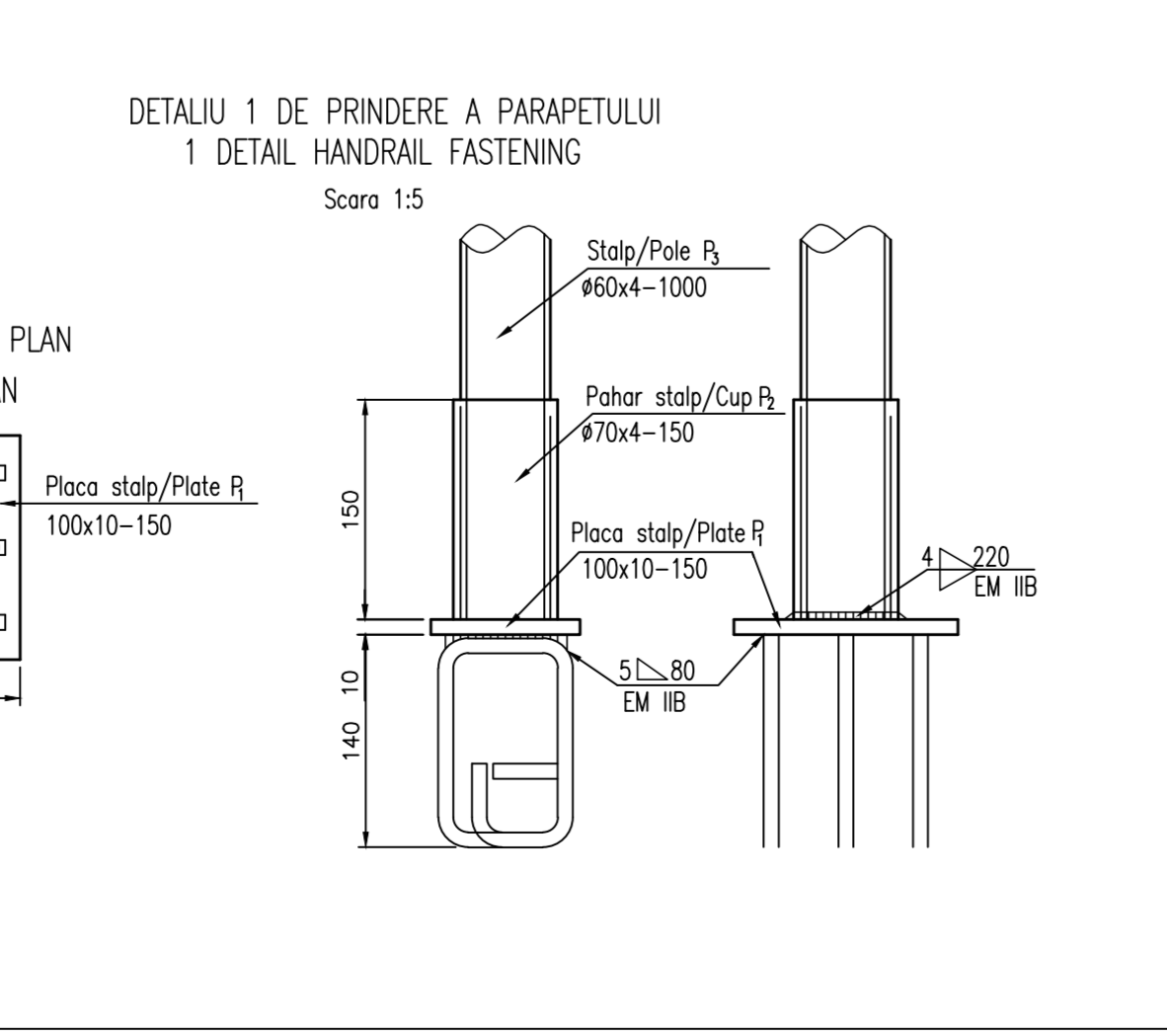


LEGENDA BETOANELOR/CONCRETE LIST

	Beton armat in cuzineti si in bancheta cuzinetilor Reinforced concrete in the cushions and cushions bench C 35/45-CEM I/A-S 52,5-(XC4+XF3+XW2)-A/C=0,50-D ₁₆ -Cl 0,20
	Beton armat in fundatiile indirecte (coloane si rotire) si in elevatii Plain concrete in abutments foundations: C 25/30-CEM I/A-S 42,5-(XC4+XF3)-A/C=0,50-D ₁₆ -Cl 0,20
	Beton simplu in fundatiile si elevatiile opizilor Simple concrete in the wings foundations and elevations C 25/30-CEM I/A-S 32,5-(XFA)-A/C=0,50-D ₁₆ -Cl 0,20
	Beton de egalizare Concrete in the protection layer of the waterproofing C 25/30-CEM I/A-S 32,5-(XF3)-A/C=0,50-D ₁₆ -Cl 0,20 _{max}

In cazul in care temperatura in timpul turnarii este scazuta, se vor folosi cimenturile cu rezistenta initiala mare, R si aditivi acceleratori, iar in cazul turnarii pe timp cald, cimenturile cu rezistenta initiala uzuala, N si aditivi intarзатор (conform NE 012/2-2010 si tabelului 2 din SR EN 197-1:2002).
When the temperature during the casting is low, cements with high initial resistance, R and accelerating additives shall be used and when it is cast during warm weather, cements with common initial resistance, N and delaying additives shall be used (according to the norm NE 012/2-2010 and table 2 for the SR EN 197-1: 002).



NOTE:

- Prezentul plan s-a intocmit in conformitate cu dispozitia generala.
- La executie se vor respecta cu strictete prevederile din "Normativ pentru producerea betonului", indicativ NE 012/1-2007 si "Normativ pentru producerea betonului si executarea lucrarilor din beton, beton armat si beton precomprimat. Partea 2: Executarea lucrarilor din beton", indicativ NE 012/2-2010, iar verificarea calitatii lucrarilor si receptiunea lor se va face conform normativului C56-1985.
- Verificarea calitatii constructiei si receptiunea lucrarilor asuse se vor face conform Normativului C 56-85.
- Convoaiele de calcul pentru infrastructura sunt LM 71 si SW/2.

NOTE:

- This plan has been drawn up according to the general disposition.
- The execution will strictly comply with the provisions of "Practice code for concrete production NE 012/1-2007 and "Practice code for the concrete production and works execution, reinforced and pre-stressed concrete - Part 2: The execution of concrete works" NE 012/2-2010, and the quality and the reception of the works shall be made accordingly to Norm C 56-1985.
- The works quality checking and their acceptance shall be made according to Norm C56-1985.
- The infrastructure complies with the calculation convoys LM 71 and SW/2.

This drawing is forbidden to be copied, lent or used in other purposes than those previously approved by AREX Lider Company as its owner.
Se interzice copierea, difuzarea, imprumutarea sau utilizarea in alte scopuri, fara permisiunea AREX Lider Company ca proprietar al desenului.

D																										
C																										
B																										
A	12.2011	Revizua 1 1 Revision	Dinu Andreea	Proiectant Approved Consultant	Aprobat CRF Approved CRF																					
Index	Date	Modificari Modification/Revision	Proiectant Designer	Aprobat Consultant Approved Consultant	Aprobat CRF Approved CRF																					
		GUVERNUL ROMANIEI ROMANIAN GOVERNMENT		PROIECT FINANTAT DE UNIUNEA EUROPEANA EUROPEAN UNION FINANCED PROJECT																						
		CFR		C.N.C.F. "C.F.R." - S.A.																						
CLIENT / CLIENT		 TALFER - Scot Wilson - OBERMEYER - TECNIC Joint Venture Leader																								
CONSULTANT / CONSULTANT		R. Luizza R. Luizza C. Gambelli V. Kallidromitis		Data Date Semn. tur Signature																						
SUBCONTRACTANT / SUBCONTRACTOR		A. Dinulescu Stancu Dinu Andreea		Data Date Semn. tur Signature																						
Reabilitarea liniei de cale ferata Brasov - Simeria, parte component a coridorului IV Pan European, pentru circula la trenurilor cu viteza maxim de 160 km/h. Brasov - Sighisoara Section : Brasov - Sighisoara																										
Denumire desen / Drawing Title: INTERVAL / SECTION RACOS-CATA VIADUCT L=413,70m km 232+366.738 /PLAN COFRAJ CULEI SIGHISOARA VIADUCT L=413,70m km 232+366.738 /ABUTMENTS SIGHISOARA FORMWORK PLAN																										
Codificare / Codification System		Scara / Scale 1:100		LOT / LOT / No. 01/01																						
<table border="1"> <tr> <td>E</td><td>A</td><td>5</td><td>1</td><td>0</td><td>1</td><td>E</td><td>1</td><td>2</td><td>B</td><td>B</td><td>P</td><td>V</td><td>0</td><td>2</td><td>3</td><td>2</td><td>0</td><td>0</td><td>4</td><td>1</td> </tr> </table>						E	A	5	1	0	1	E	1	2	B	B	P	V	0	2	3	2	0	0	4	1
E	A	5	1	0	1	E	1	2	B	B	P	V	0	2	3	2	0	0	4	1						