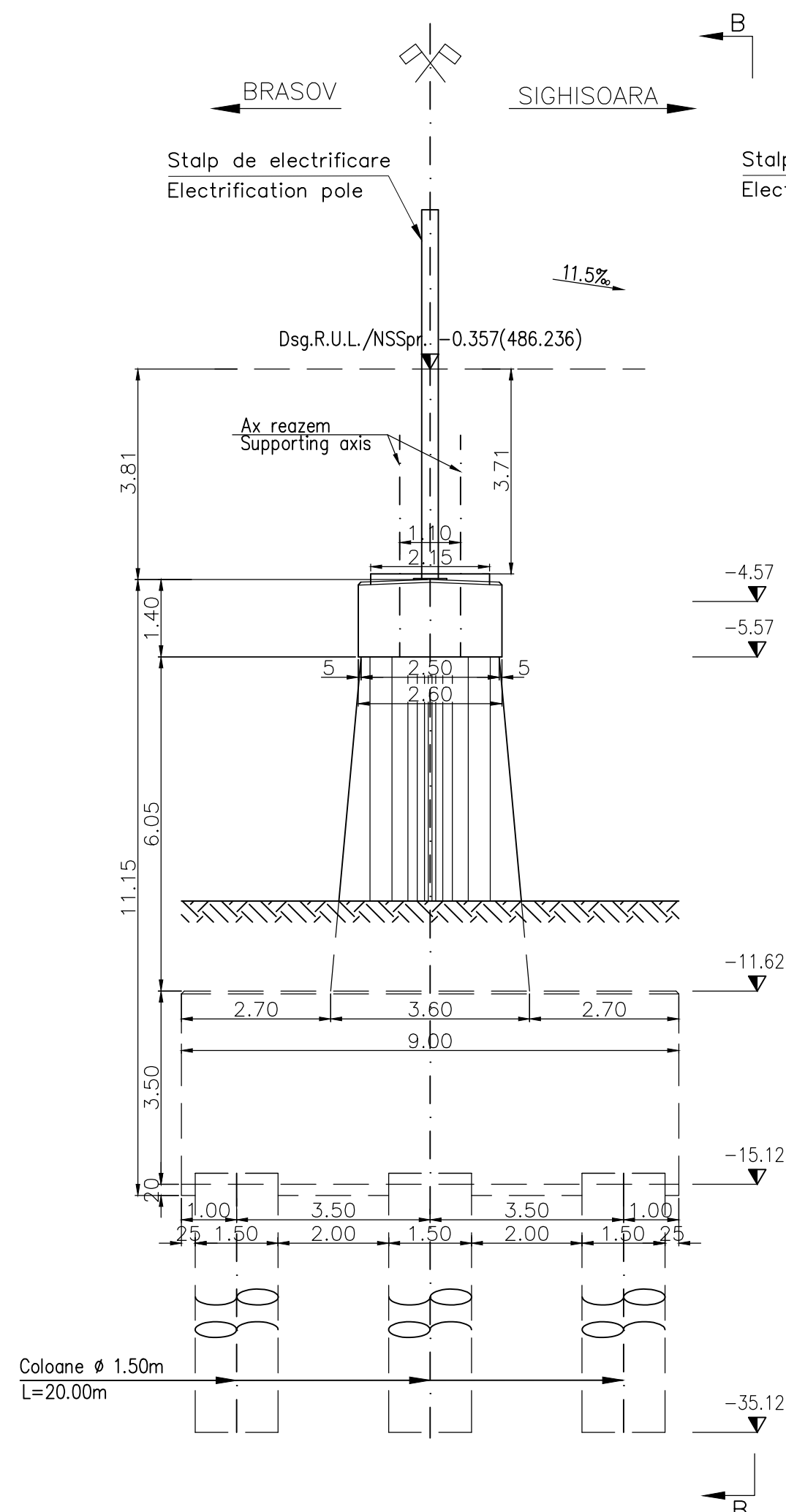
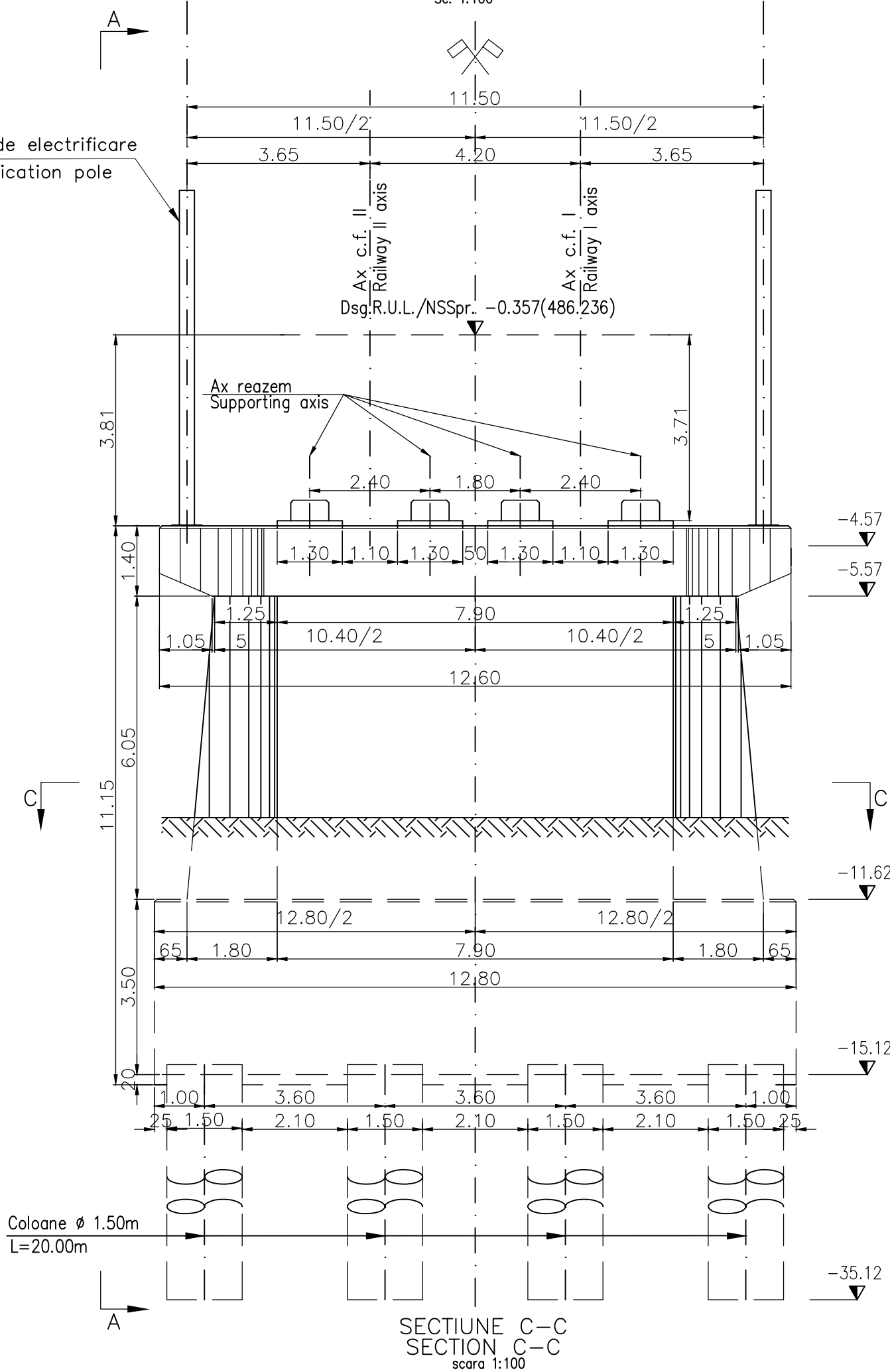


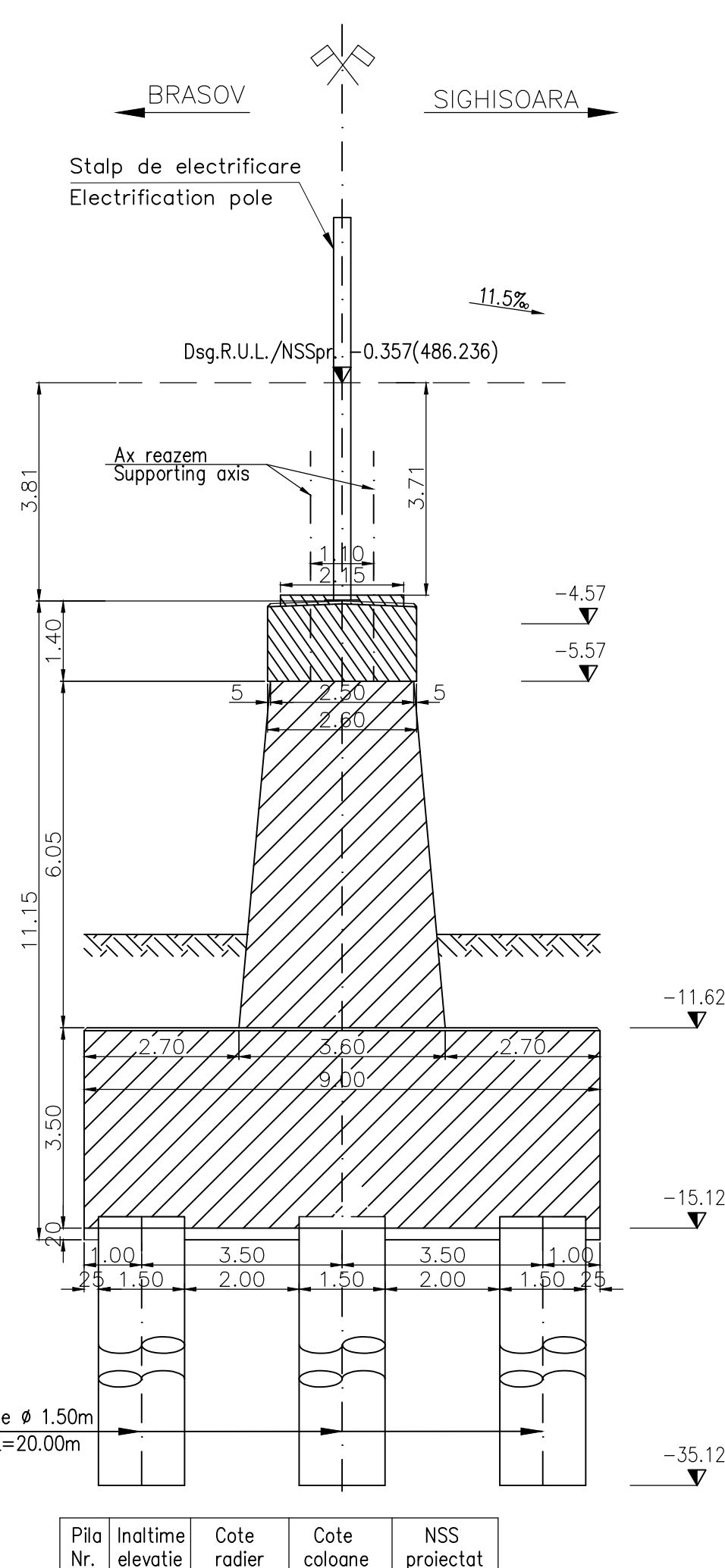
ELEVATIE A-A  
ELEVATION A-A  
scara 1:100



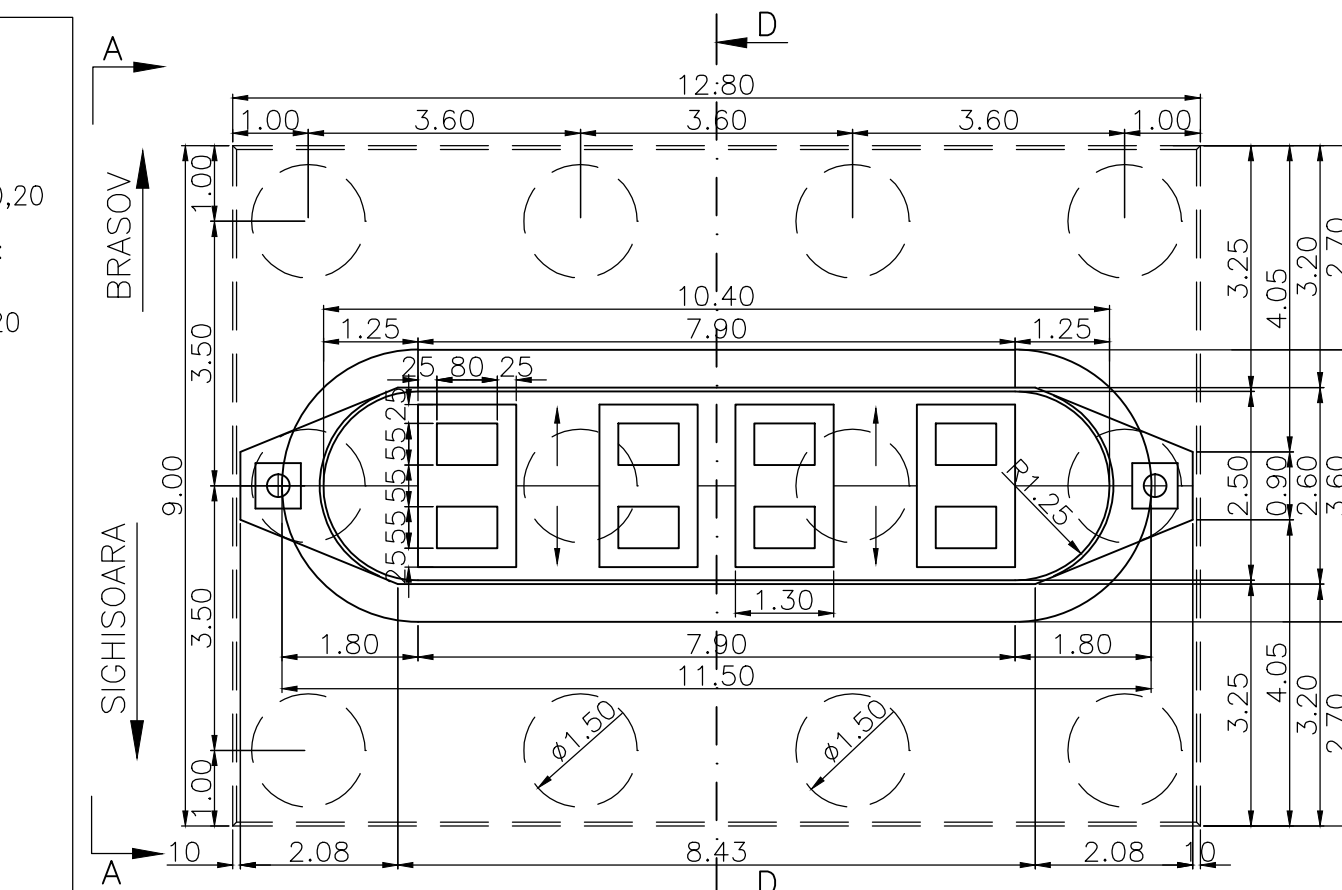
VEDERE FRONTALA PILA B-B  
FRONT VIEW B-B  
Sc. 1:100



SECTIUNE D-D  
SECTION D-D  
scara 1:100



SECTIUNE C-C  
SECTION C-C  
scara 1:100



LEGENDA BETOANELOR/CONCRETE LIST

- Beton armat in cuzineti si in bancheta cuzinetilor  
Reinforced concrete in the cushions and cushions bench  
C 35/45-CEM I/A-S 52,5-(XC4+XF3+XA2)-A/C=0,50-D<sub>max</sub>16-Cl 0,20
- Beton armat in fundatii indirecte(coloane si radiere) si in elevatii:  
Plain concrete in abutments foundations:  
C 25/30-CEM H II/A-S 42,5-(XC4+XF3)-A/C=0,50-D<sub>max</sub>32-Cl 0,20
- Beton de egalizare  
Concrete in the protection layer of the waterproofing  
C 25/30-CEM II/A-S 32,5-(XF3)-A/C=0,55-D<sub>max</sub>16-Cl 0,20

In cazul in care temperatura in timpul turnarii este scazuta, se vor folosi cimenturile cu rezistenta initiala mare, R si aditivi acceleratori, iar in cazul turnarii pe timp calduros, cimenturile cu rezistenta initiala uzuala, N si aditivi intarziatori (conf.NE 012/2-2010 si tabelului 2 din SR EN 197-1:2002)  
When the temperature during the casting is low, cements with high initial resistance, R and accelerating additives shall be used and when it is cast during warm weather, cements with common initial resistance, N and delaying additives shall be used (according to the norm NE 012/2-2010 and table 2 for the SR EN 197-1: 2002).

This drawing is forbidden to be copied, lent or used in other purposes than those previously approved by AREX Lider Company as its owner.  
Se interzice copierea, difuzarea, imprumutarea sau utilizarea in alte scopuri, fara permisiunea AREX Lider Company ca proprietar al desenului.

ATENTIE/ATTENTION

Aprovizionarea aparatelor de reazem se va face inaintea executarii cuzinetilor si a banchetii acestora. In cazul in care inaltimea aparatelor de reazem aprovizionate difera fata de cea considerata in proiect se vor modifica inaltimele pe reazem corespunzator cu noile aparate.  
The bearing blocks shall be supplied before building the bearings and their seats. In case the height of the supplied bearing blocks differs from that given in the project, the heights on the seats shall be adjusted so as to comply with the new devices.

NOTA:

- Prezentul plan s-a intocmit in conformitate cu dispozitia generala.
- Podul corespunde la convoaiele de calcul UIC(LM 71 si SW/2).
- La executie se vor respecta cu strictete prevederile din "Normativ pentru producerea betonului si executarea lucrarilor din beton, beton armat si beton precomprimat. Partea 1: Producerea betonului", indicativ NE 012/1-2007 si "Normativ pentru producerea betonului si executarea lucrarilor din beton, beton armat si beton precomprimat. Partea 2: Executarea lucrarilor din beton", indicativ NE 012/2-2010, iar verificarea calitatii lucrarilor si receptionarea lor se va face conform normativului C56-1985.
- Construcția se incadreaza in categoria de importanta B (construcții de importanta deosebita), modelul 1-de asigurare a calitatii si clasa de importanta B, conform HG 766/1997.
- Proiectul va fi verificat la exigentele A4.2; B2.2; D2.2.

NOTE:

- This plan has been drawn up according to the general disposition.
- The bridge corresponds to the UIC determination convoys (LM71 and SW/2).
- The execution will strictly comply with the provisions of "Practice code for the concrete production and works execution, reinforced and pre-stressed concrete - Part 1: Practice code for concrete production" NE 012/1-2007 and "Practice code for the concrete production and works execution, reinforced and pre-stressed concrete - Part 2: The execution of concrete works." NE 012/2-2010, and the quality and the reception of the works shall be made accordingly to Norm C 56-1985.
- The construction has been classified in B category of importance (high important constructions), model 1-ensuring the quality and class of importance B according to G.O. 766/97.
- The project will be checked in order to comply with the A4.2; B2.2; D2.2 requirements.

D					
C					
B					
A	12.2011	Revizia 1 1 Revision	Mihai Ady-Nicolae		
Indice Index	Data Date	Modificare Modification/Revision	Proiectant Designer	Aprobat Consultant Approved Consultant	Aprobat CFR Approved CFR

**GUVERNUL ROMANIEI**  
ROMANIAN GOVERNMENT

**PROIECT FINANȚAT DE UNIUNEA EUROPEA**  
EUROPEAN UNION FINANCED PROJECT




**CFR**

**C.N.C.F. "C.F.R." - S.A.**

CLIENT / CLIENT

**ITALFERR**  
GRUPPO FERROVIE DELLO STATO  
Joint Venture leader

**Scott Wilson**

**OBERMEYER**  
PLANEN + BERATEN GmbH

**TECNIC**  
Consulting Engineers

CONSULTANT / CONSULTANT			Data Date	Semn tur Signature
Aprobat Approved	Șef proiect Project manager	R. Liuzza		
Aprobat Approved	Coordonator Sectiune 1 Section 1 Coordinator	C. Gambelli		
Verificat Checked	Expert Cheie Checking Expert	V.Kalidromitis		

SUBCONTRACTANT / SUBCONTRACTOR			Data Date	Semn tur Signature
Aprobat Approved	Responsabil Subconsultant Subconsultant Responsible	A. Dinulescu Stanciu	11.2011	
Elaborat Elaborated	Proiectant Designer	Mihai Ady-Nicolae	11.2011	

Reabilitarea liniei de cale ferata Braşov - Simeria, parte component a coridorului IV Pan European, pentru circula ia trenurilor cu viteza maxim de 160 km/h,  
Rehabilitation of the railway line Braşov - Simeria, component Part of the IV Pan-European Corridor, for the trains circulation with maximum speed of 160 km/h,  
**Section : Braşov - Sighişoara**

Tronsonul : **Braşov - Sighişoara**

Proiect/Project  
2004/RO/16/P/PA/003

Faza / Phase:  
P.Th./T.D.

Denumire desen / Drawing Title :	Scara / Scale 1:100	LOT / LOT	Nr. / No 01 / 01
Interval / SECTION CATA-ARCHITA Viaduct Km 254+449.803 D=17x30.00m PLAN COFRAJ PILA 1,2,3 / DECKING PLAN PIER 1,2,3			
Codificare / Codification System			

E A 5 1 0 1 E 1 4 B B P V 0 3 3 2 0 0 5 1